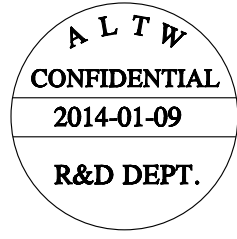
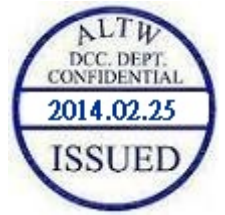
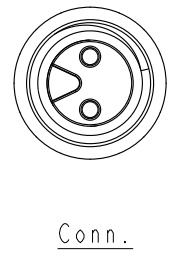
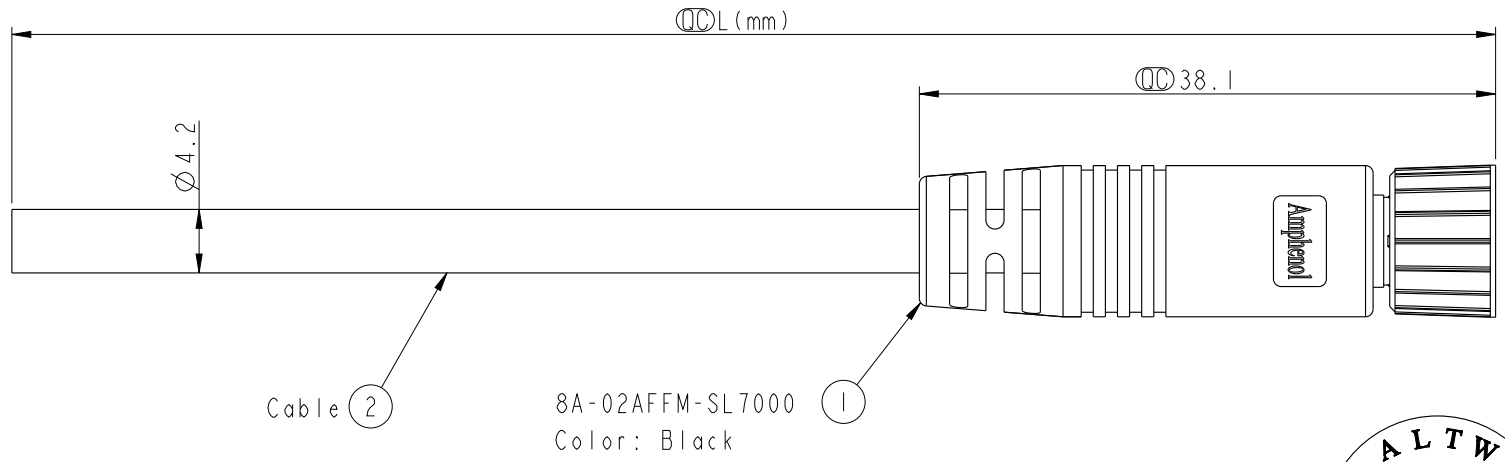


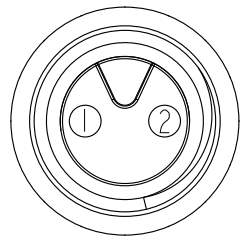
THIS DOCUMENT IS SUBJECT TO CHANGE WITHOUT NOTICE. IT IS CONFIDENTIAL AND A PROPERTY OF Amphenol LTW. DISCLOSURE TO THIRD PARTY HAS TO BE AUTHORIZED BY Amphenol LTW.

REV.	ECN NO.	DATE	SIGN	DESCRIPTION



8A-02AFFM-SL7AXX
 XX: 01~99Meters
 01: 01Meter
 02: 02Meter
 ...
 99: 99Meters
 Cable Length(L): 01~99Meters

- Note:
- * \varnothing Important Dimension.
 - * Waterproof Rate: IP67.
 - * Connector: PU, Black.
 - * Female Pin: Copper Alloy, Gold Plated.
 - * Screw Nut: Zinc Alloy, Nickel Plated.
 - * O-Ring: Viton, Green.
 - * Cable: UL2464 22AWG*2C+Talcum, PVC Jacket, UV Resistant, OD=4.2, Black.
 - * Cable Length Tolerance: 01M: ± 40 mm
 02~05M: ± 60 mm
 06~10M: ± 100 mm
 11~30M: ± 200 mm
 31~99M: ± 500 mm



Pin Assignments
Front View

Pin	Wire Color
2	Red 紅
1	Black 黑

Pin Out

UNIT:mm

TOLERANCE
 ± 0.5 mm

TITLE M8 2Pin Cable F Conn. F Pin			
SCALE 2:1	SIZE A4	SHEET 1 OF 1	
REV. A	WC-REV. A.3	\varnothing : Inspection item	

Amphenol LTW
 安費諾亮泰企業股份有限公司

ITEM NO	DRAWN BY Mila	DATE 2014-01-09
DWG NO 8A-02AFFM-SL7AXX	CHECKED BY Jimmy	DATE 2014-01-09
CUSTOMER ALTW	APPROVED BY Jerry	DATE 2014-01-09