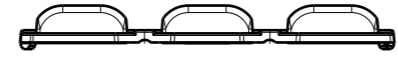
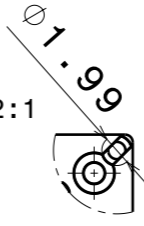
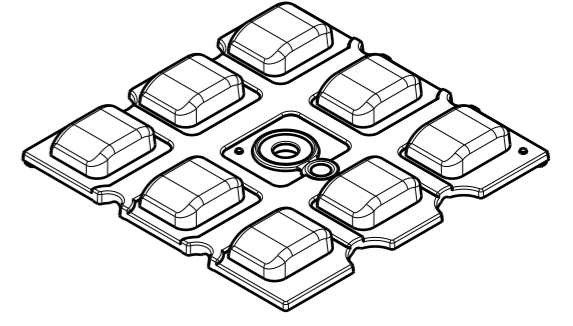


H G F E D C B A

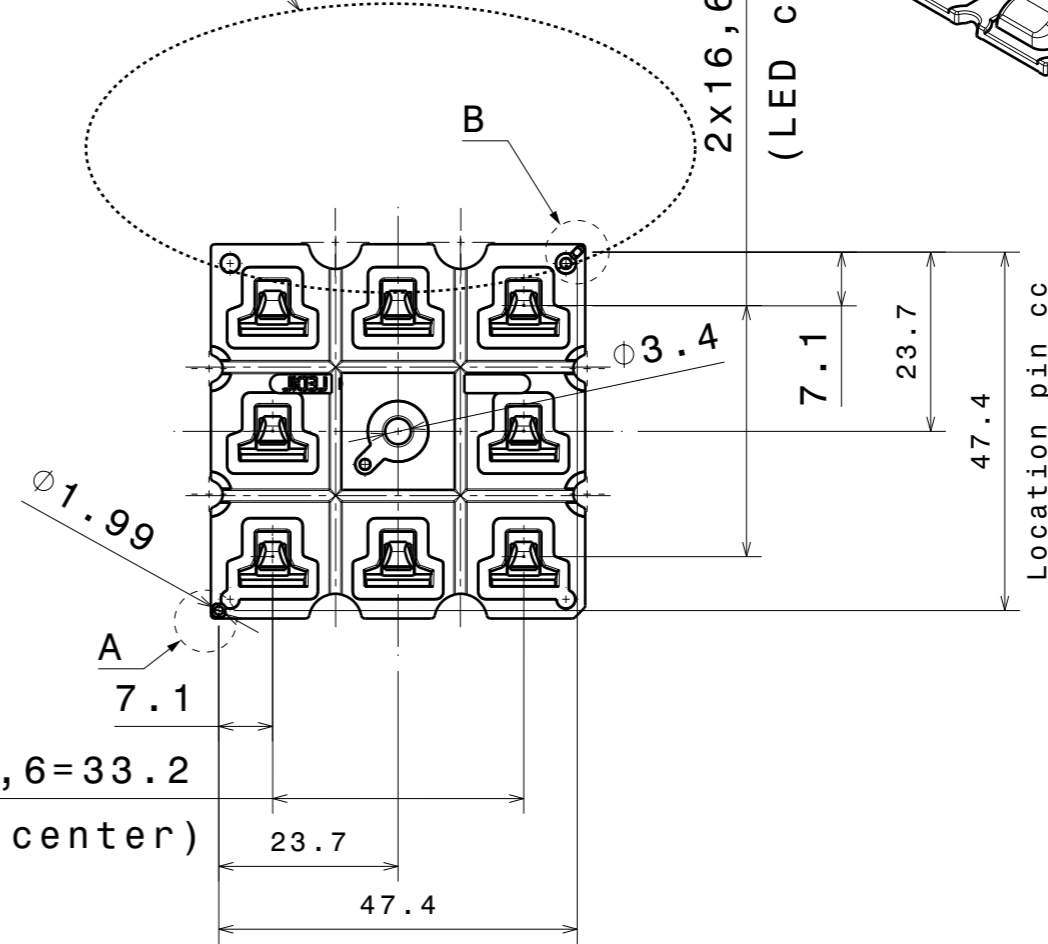
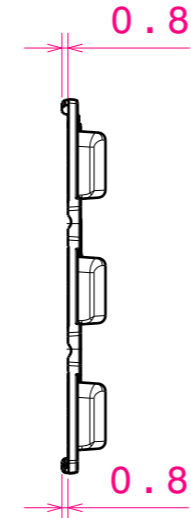
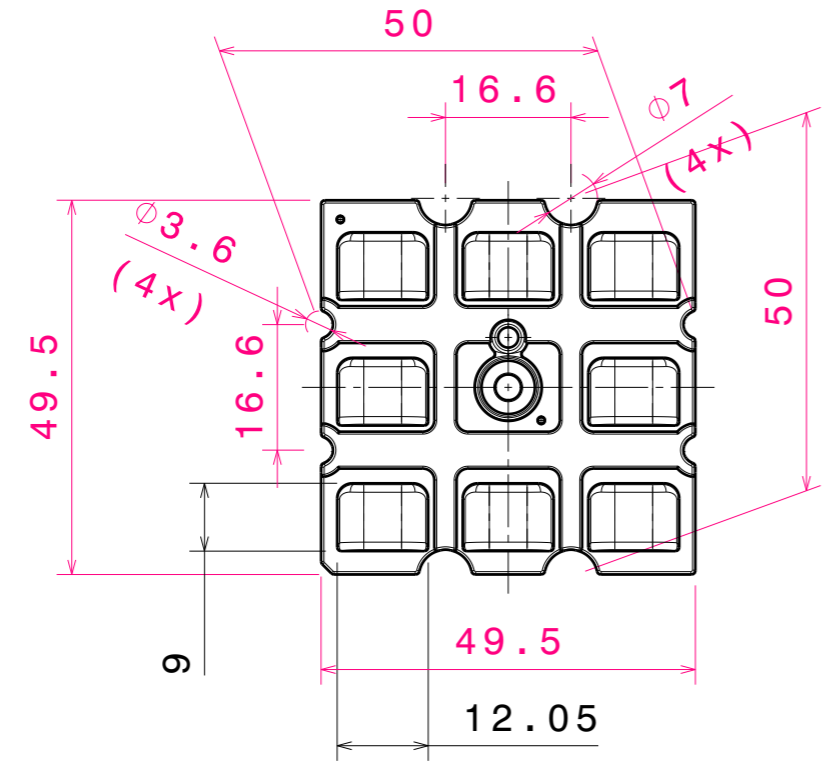
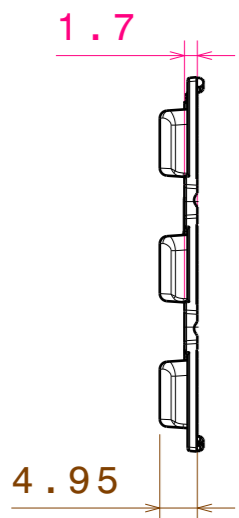
Detail B  
Scale: 2:1



Light direction



2x16,6=33.2  
(LED center)



Note:  
Center screw recommended fixing torque 0,6Nm



Detail A  
Scale: 2:1

INDEX	PART NO	DESCRIPTION	MATERIAL	COLOUR
1		STRADELLA-8-HV	PMMA	Clear

Tolerances if not otherwise shown  
According to DIN ISO 2768-1  
Linear measures:  
up to 30mm class M, otherwise class C  
According to DIN ISO 2768-2  
Form and position: class L

**LEDiL** Ledil Oy  
Salorankatu 10  
FIN 24240 SALO  
Finland

THIRD ANGLE PROJECTION:

DRAWING TITLE  
**STRADELLA-8-HV**

This drawing is the property of LEDiL Oy. It may not be reproduced, copied or communicated without a written agreement with LEDiL Oy.

SIZE PART NUMBER  
**A3**

SCALE 1:1 WEIGHT 5,5 g SHEET 1/1

H G B A