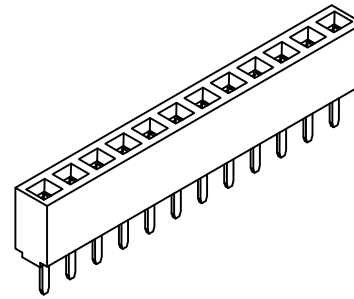
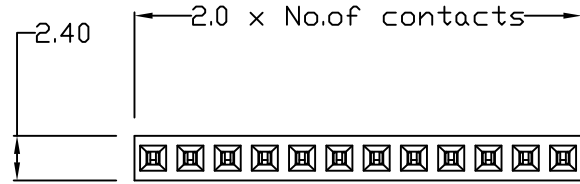
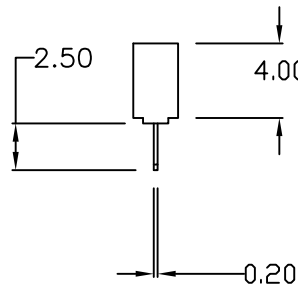
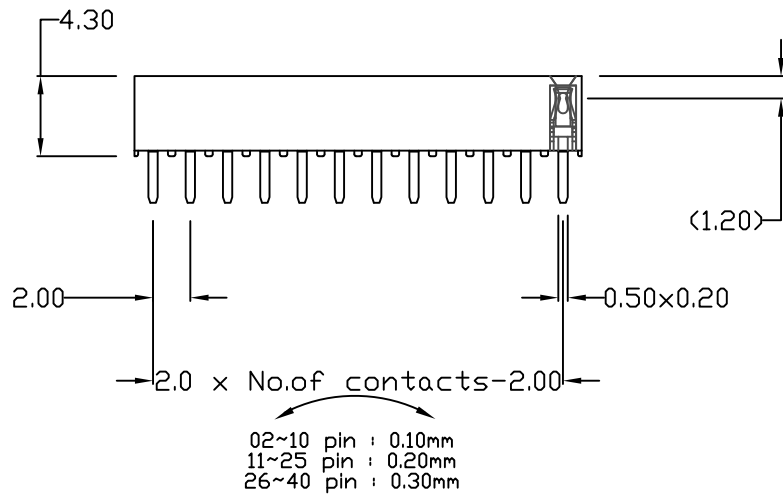


Description: 2mm Single Row Receptacle

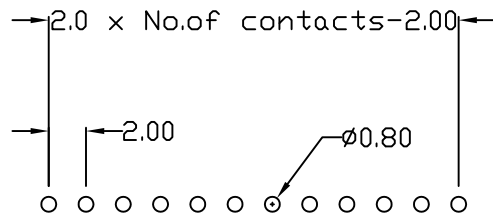


Material:
 Insulator: Nylon-6T, Black, UL 94V-0
 Process Temperature: 260°C for 10 seconds
 Contact: Phosphor Bronze

Electrical:
 Current Rating: 2 Amps
 Contact Resistance: 20 mOhms Max.
 Insulation Resistance: 5000 MOhms Min.
 Working Voltage: 250V
 Temperature: -40° C TO +105° C



Recommended P.C. Board
 Hole Layout



Units = mm

Tolerance
 .X ±0.3
 .XX ±0.20
 .XXX ±0.100

2 5 6 3 Y Y 0 1 R P 2

Series
 2563 = Single Row

Position
 Single - Increments of 1
 (02 to 40)

Type
 01 = Straight

Plating Options
 P2 = Gold Flash

	THESE DRAWINGS AND SPECIFICATIONS ARE THE PROPERTY OF NorComp AND SHALL NOT BE REPRODUCED, COPIED OR USED AS THE BASIS FOR THE MANUFACTURE OF SALE OF APPARATUS WITHOUT WRITTEN PERMISSION.		DRAWN: PAM JENKINS	DATE: 1-30-06
	NorComp		SCALE: NTS	SHEET 1 OF 1 REV 3
DWG NO. 2563YY01RP2				