

BACKSHELL KIT INCLUDES:

- (2) BACKSHELL HALVES
- (2) HOUSING SCREWS
- (2) HOUSING NUTS
- (2) 4-40 MOUNTING SCREWS
- (2) SADDLE WASHERS
- (2) STRAIN RELIEF CLAMPS
- (2) STRAIN RELIEF SCREWS

METALIZED PLASTIC:

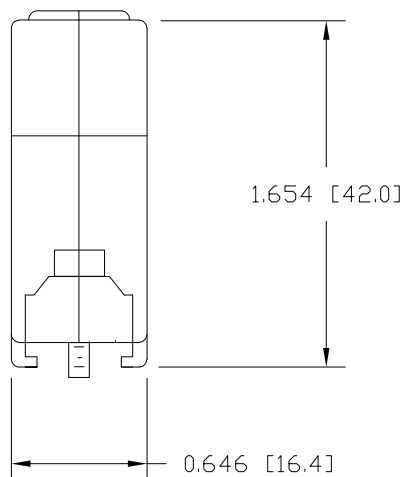
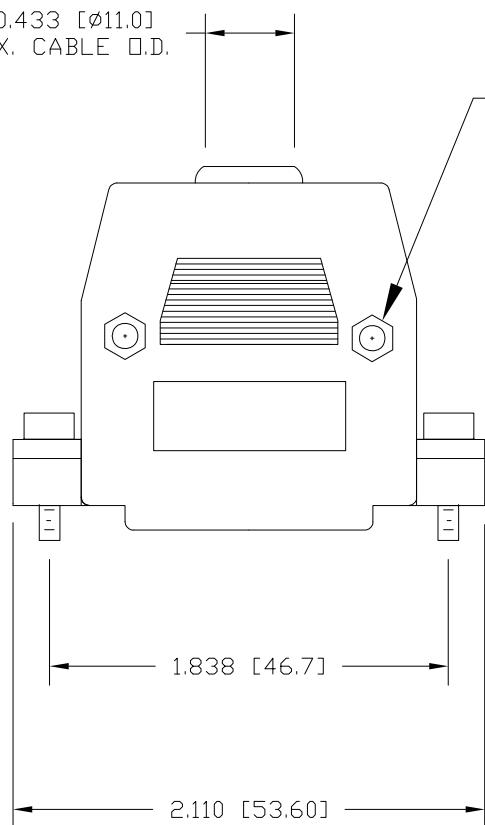
MATERIAL: ABS HIGH TEMPERATURE PLASTIC UL94HB
 METALIZED PLATING: NICKEL OVER COPPER
 OPERATING TEMP: -35°C TO 85°C

PLASTIC:

MATERIAL: ABS HIGH TEMPERATURE PLASTIC UL94HB
 OPERATING TEMP: -35°C TO 85°C

∅0.433 [∅11.0]
 MAX. CABLE O.D.

**PLEASE NOTE FOR METALIZED VERSION
 THIS GEOMETRY WILL BE A CIRCLE, NOT A HEX



977-025-0Y0 R YY 1

SERIES _____
 POSITIONS _____
 025 _____
 MATERIAL _____
 010 = PLASTIC _____
 020 = METALIZED PLASTIC _____
 RoHS COMPLIANT _____
 COLOR _____
 03 = GREY _____
 12 = METALIZED _____
 PUT-UP _____
 1 = KIT _____

RoHS COMPLIANT

UNITS = inch [mm]

DO NOT SCALE FROM DRAWING



THESE DRAWINGS AND SPECIFICATIONS ARE THE PROPERTY OF NorComp AND SHALL NOT BE REPRODUCED, COPIED OR USED AS THE BASIS FOR THE MANUFACTURE OR SALE OF APPARATUS WITHOUT WRITTEN PERMISSION.

DRAWN:

J. KADEL

DATE:

08/22/2019

NorComp

SCALE: NTS

SHEET 1 OF 1

REV 1

DWG NO.

977-025-0Y0RYY1