

SPECIFICATIONS

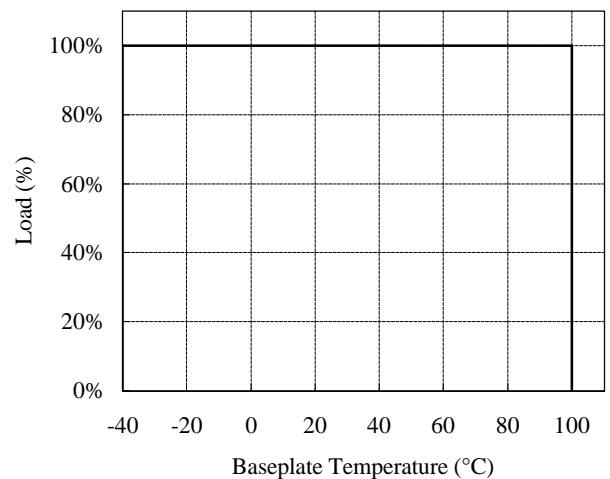
C160-01-01B

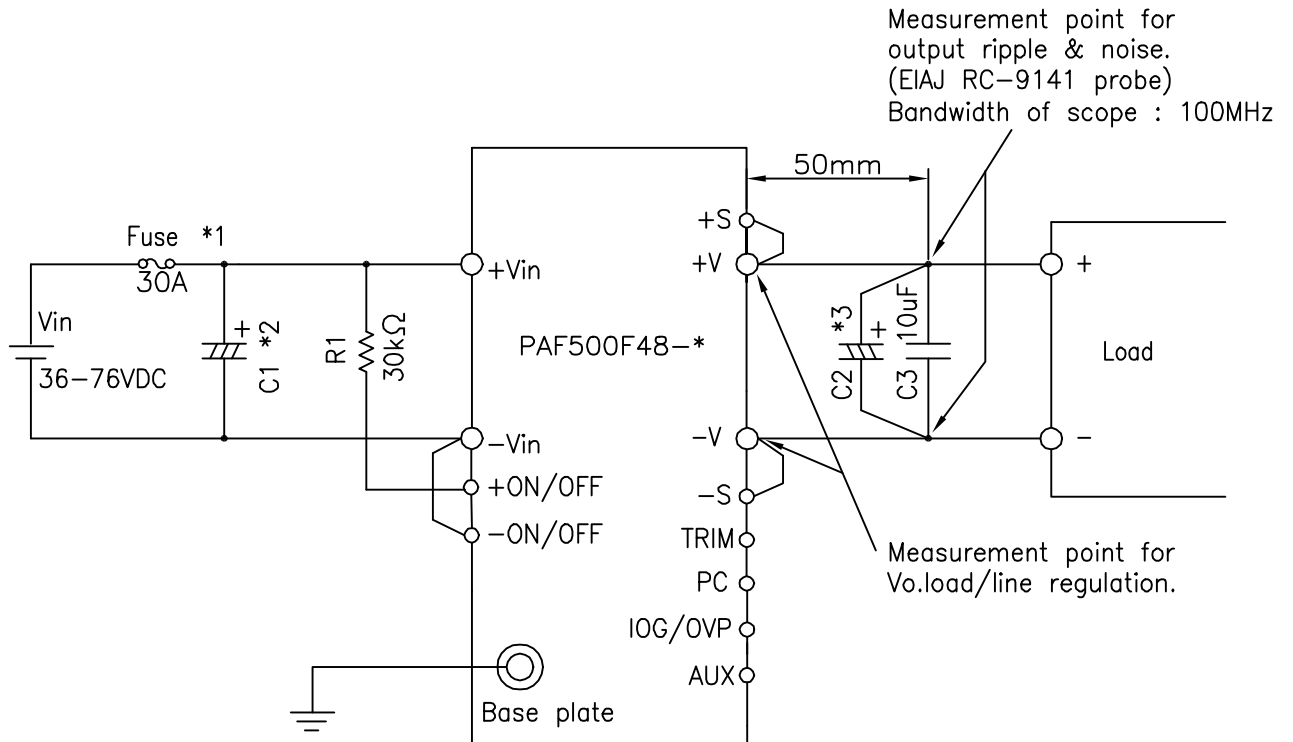
MODEL			PAF500F48-3.3	PAF500F48-5	PAF500F48-12	PAF500F48-28
ITEMS						
1	Nominal Output Voltage	V	3.3	5	12	28
2	Maximum Output Current	A	80	80	42	18
3	Nominal Output Power	W	264	400	504	504
4	Efficiency (Typ.)	(*1) %	78	83	89	90
5	Input Voltage Range	-	36 - 76VDC			
6	Input Current (Typ.)	(*2) A	7.3	10.4	12.2	12.1
7	Output Voltage Accuracy	(*2) %	±1			
8	Output Voltage Range	(*10) -	-40%, +20%		-40%, +10%	
9	Maximum Ripple & Noise	(*10) mV	100	100	200	280
10	Maximum Line Regulation	(*3) mV	10	10	24	56
11	Maximum Load Regulation	(*4) mV	10	10	24	56
12	Over Current Protection	(*5) -	105% - 140%			
13	Over Voltage Protection	(*6)(*9) -	130% - 160%	125% - 145%	115% - 135%	
14	Remote Sensing	(*9) -	Possible			
15	Remote ON/OFF Control	(*9) -	Possible (SHORT : ON OPEN : OFF)			
16	Parallel Operation	(*9) -	Possible			
17	Series Operation	(*9) -	Possible			
18	I.O.G. Signal	(*9) -	_____			Possible (Open Collector Output)
19	Operating Temperature	(*7) -	-40°C - +100°C(Baseplate) Ambient Temperature min=-40°C			
20	Operating Humidity	-	20 - 95%RH (No Dewdrop)			
21	Storage Temperature	-	-40°C - +100°C			
22	Storage Humidity	-	10 - 95%RH (No Dewdrop)			
23	Cooling	(*8) -	Conduction Cooled			
24	Temperature Coefficient (%)	-	0.02%/°C			
25	Withstand Voltage	-	Input-Baseplate : 1.5kVDC, Input-Output : 1.5kVDC for 1min. Output-Baseplate : 500VDC for 1min.			
26	Isolation Resistance	-	More than 100MΩ at 25°C and 70%RH Output-Baseplate...500VDC			
27	Vibration	-	At No Operating, 10-55Hz (Sweep for 1min.) Amplitude 0.825mm Constant (Maximum 49.0m/s ²) X,Y,Z 1 Hour each			
28	Shock	-	196.1m/s ²			
29	Weight (Typ.)	g	250			
30	Size (W x H x D)	mm	61 x 12.7 x 116.8 (Refer to Outline Drawing)			

=NOTES=

- *1. At 48VDC, 80% of Maximum Output Current and Baseplate Temperature = +25°C.
- *2. At 48VDC and Maximum Output Current.
- *3. 36 - 76VDC, Constant Load.
- *4. No load - Full load, Constant input voltage.
- *5. Constant current limiting with automatic recovery.
- *6. Inverter shutdown method, Manual Reset.
- *7. Ratings - Refer to Derating Curve on the Right.
- Load(%) is Percent of Maximum Output Current.
- *8. Heatsink has to be Chosen According to Instruction Manual.
- *9. Refer to Instruction Manual.
- *10 External Components are Needed for Operation.
(Refer to Basic Connection and Instruction Manual)

Derating Curve





==NOTE==

- *1. Use an external fuse of fast blow type, for each unit.
- *2. Put an input capacitor, C1, more than 100uF.
If the ambient temperature is less than -20°C ,
use two pieces of the recommended capacitor above.
If the impedance of input line is high,
C1 capacitance must be more than above.
- *3. Put an output capacitor. (3.3V,5V: more than 5600uF X 2 parallel,
12V: more than 470uF, 28V: more than 220uF.)
If the ambient temperature is less than -20°C , for 12V & 28V
model, use twice of the recommended capacitor value above.
- *4. Refer to instruction manual for further details.

(unit : mm)

MODEL NAME	PAF500F48
DENSEI-LAMBDA	

C160-01-02B