

## 40-65W 90-305VAC AC-DC Power Supplies

<https://product.tdk.com/en/power/csw>  
<https://www.emea.lambda.tdk.com/csw65>



Industrial



Broadcast



Test



COMM



Accepting a very wide 90 to 305Vac input, the CSW65 series can operate from 115V, 230V and 277V nominal inputs. These models are available in a U-channel construction and have cover and/or DIN rail mounting clip options. All models are certified to IEC/EN/UL/CSA 62368-1 and with less than 150mW off-load power consumption, these units also comply with DOE Efficiency Level VI requirements.

### Features

- Accepts 115/230/277VAC Nominal Inputs
- <150mW Off-Load Power Consumption
- DOE Efficiency Level VI, ErP Tier 2
- Class 2 24V Model to UL1310
- DIN Rail Mount Option

### Benefits

- Suitable for US Building Wiring
- Energy Saving
- Meets US and EU Energy Saving Legislation
- Suitable for Building Automation Requiring NEC Class 2
- Easy to Mount

### Model Selector

Model	Output Voltage (V)	Maximum Current (A)	Maximum Power (W)	Overvoltage (V)	Average Efficiency (%)	*Ripple & Noise (mV)
CSW65-5	5	8.0	40	6 - 8	87.2	100
CSW65-12	12	5.42	65	13.2 - 15.6	89	120
CSW65-15	15	4.34	65	16.5 - 19.5	89	150
CSW65-18	18	3.62	65	19.8 - 23.4	89	180
CSW65-24	24	2.71	65	26.4 - 31.2	89	240
CSW65-28	28	2.33	65	30.8 - 36.4	89	280
CSW65-48	48	1.36	65	52.8 - 62.4	89	280
CSW65-54	54	1.21	65	59.4 - 64.8	89	280

\*Ripple and noise are measured at oscilloscope 20MHz bandwidth by a 10uF electrolytic capacitor and a 0.1uF ceramic capacitor in parallel at output connector.

CSW	65	-24	/A
	Output Power	5 5V Output Voltage 12 12V Output Voltage 15 15V Output Voltage 18 18V Output Voltage 24 24V Output Voltage 28 28V Output Voltage 48 48V Output Voltage 54 54V Output Voltage	Blank U-Channel /A U-Channel & Cover /D U-Channel, Cover & DIN Rail Bracket

<b>Specifications</b>		
Model	CSW65	
<b>Input</b>		
Input Voltage range	Vac	90 - 305
Input Frequency	Hz	47 - 63
Input Current (115/230VAC)	A	2 / 1
Inrush Current at 230Vac (Cold Start)	A	<65 (25°C ambient)
Harmonic Compliance	-	Meets IEC61000-3-2 Class A
No Load Power Consumption	W	<0.150
Hold Up Time (typ) at 115Vac Input	ms	10
Efficiency	-	See model selector table
Conducted & Radiated EMI	-	EN55032-B conducted and radiated, FCC Part 15 Class B
Immunity	-	EN55024
Safety Agency Certifications	-	UL/CSA/IEC/EN62368-1, 60950-1, UL1310 Class 2 (24Vout only), CE Mark
<b>Output</b>		
Output Voltage Accuracy	%	±1
Output Voltage Adjustment	-	None
Switching Frequency (Full Load)	kHz	65
Output Regulation	%	5-24V: ±3, 28-54V: ±2
Ripple & Noise (20MHz BW)	-	See Model Selector Table
Minimum Load	-	No minimum load required
Overcurrent Protection	%	105 - 160 (Auto-Recovery)
Overvoltage Protection	-	See Model Selector Table (Cycle AC to reset)
Parallel Operation	-	Not possible
Series Operation	-	Possible, contact Technical Support
<b>Environmental</b>		
Operating Temperature	°C	-10 to +70 derate linearly to 50% load from 50 to 70 (Note 2)
Storage Temperature	°C	-20 to +85
Humidity (non condensing)	%RH	5 - 95
Cooling	-	Convection
Altitude	m	5,000
Withstand Voltage (For 1 minute)	Vac	Input to Ground 1,500, Input to Output 3,000, Output to Ground 500Vdc
Isolation Resistance	MΩ	>20 at 25°C & 70%RH, Output to Ground 500Vdc
Vibration (non-operating)	m/s <sup>2</sup>	23.52 (10 - 55Hz: constant sweep 1 min X, Y, Z for 1 hour)
Shock	m/s <sup>2</sup>	<196.1 (20G)
<b>Other</b>		
Weight (Typ)	g	U channel: 250, /A: 270, /D: 290
Size (LxWxH)	mm	U channel and /A: 120.7 x 63.5 x 38.1 /D: 120.7 x 63.5 x 47.2
Size (LxWxH)	Inches	U channel and /A: 4.75 x 2.5 x 1.5 /D: 4.75 x 2.5 x 1.86
Connectors		Input: 3-Pole Terminal Block (9.5mm, 20A/300V) Output: 2-Pole Terminal Block (9.5mm, 20A/300V)
Warranty	yrs	3

**Notes**

- 1) See website for detailed specifications, test methods and installation manual
- 2) Derate linearly to 90% load from 0°C to -10°C

Immunity				
Test	Standard	Test Level	Criteria	Notes
ESD	EN61000-4-2	2 / 3	A	Contact Discharge / Air Discharge
Radiated Susceptibility	EN61000-4-3	2	A	80-1000MHz
Electrical Fast Transient Burst	EN61000-4-4	2	A	(AC Port, 5kHz)
Surge	EN61000-4-5	2 / 3	A	Line to Neutral / Line and Neutral to Ground
Conducted Susceptibility	EN61000-4-6	2	A	3V (0.15 - 80MHz)
Magnetic fields	EN61000-4-8	1	A	-
Voltage Dips and Input Interruptions	EN61000-4-11	>95% for 1/2 cycle 30% for 25/30 cycles >95% for 250/300 cycles	A A/B B	A for 230Vac, B for 115Vac Input

### CN1: Input Connector

(T) 3-Pole Terminal block pitch: 9.5mm (20A/300V)

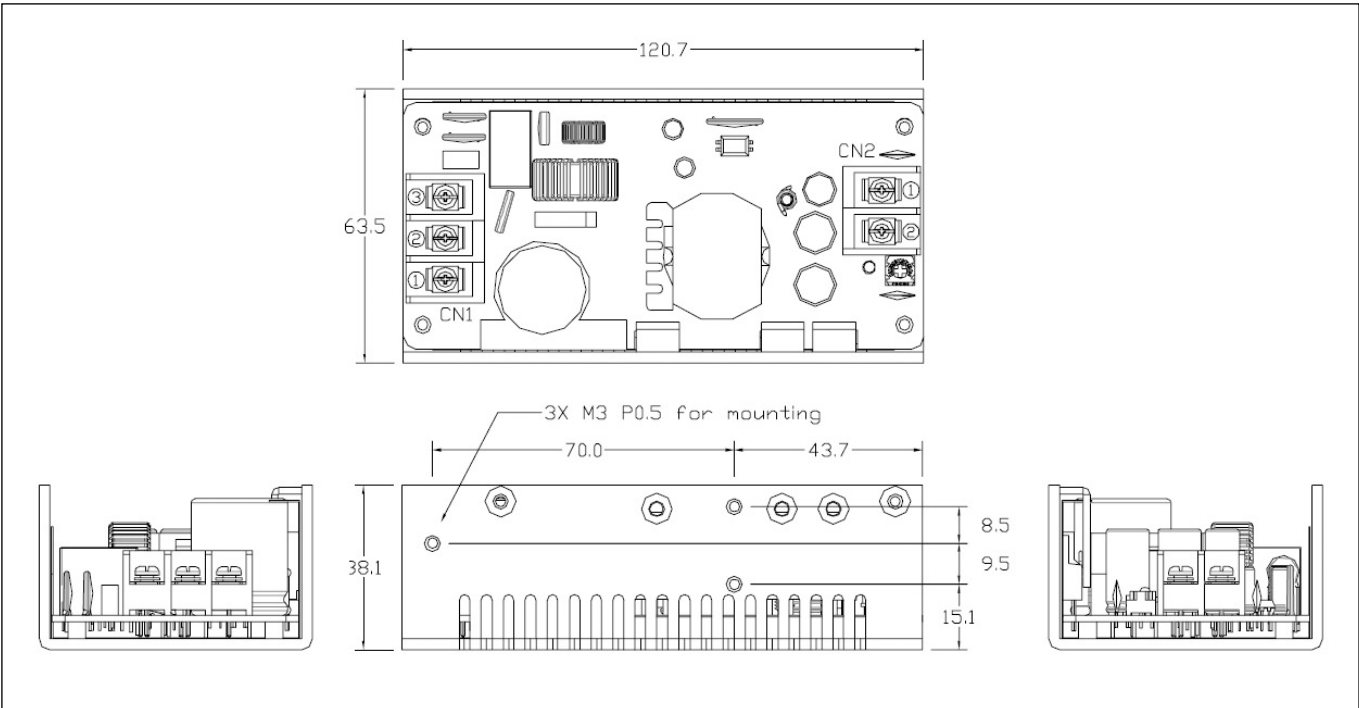
Pinout	
PIN	Function
1	AC Ground
2	AC Neutral
3	AC Line

### CN2: Output Connector

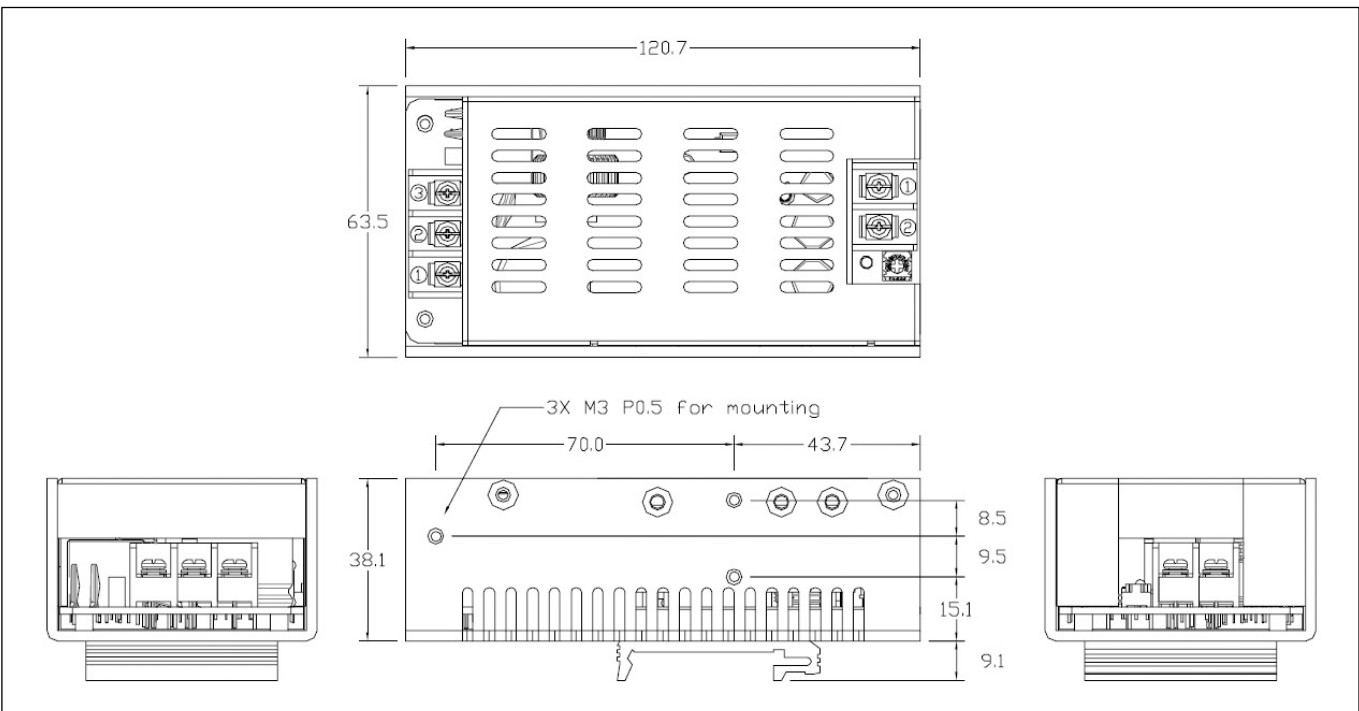
(T) 2-Pole Terminal block pitch: 9.5mm (20A/300V)

Pinout	
PIN	Function
1	+Vout
2	Ground

**No Suffix (U-Channel) Outline Drawing**



**/D (U-Channel, Cover & DIN Rail Bracket) Outline Drawing**





## TDK-Lambda France SAS

Tel: +33 1 60 12 71 65  
france@fr.tdk-lambda.com  
www.emea.lambda.tdk.com/fr



## Italy Sales Office

Tel: +39 02 61 29 38 63  
info.italia@it.tdk-lambda.com  
www.emea.lambda.tdk.com/it



## Netherlands

info@nl.tdk-lambda.com  
www.emea.lambda.tdk.com/nl



## TDK-Lambda Germany GmbH

Tel: +49 7841 666 0  
info.germany@de.tdk-lambda.com  
www.emea.lambda.tdk.com/de



## Austria Sales Office

Tel: +43 2256 655 84  
info@at.tdk-lambda.com  
www.emea.lambda.tdk.com/at



## Switzerland Sales Office

Tel: +41 44 850 53 53  
info@ch.tdk-lambda.com  
www.emea.lambda.tdk.com/ch



## Nordic Sales Office

Tel: +45 8853 8086  
info@dk.tdk-lambda.com  
www.emea.lambda.tdk.com/dk



## TDK-Lambda UK Ltd.

Tel: +44 (0) 12 71 85 66 66  
powersolutions@uk.tdk-lambda.com  
www.emea.lambda.tdk.com/uk



## TDK-Lambda Ltd.

Tel: +9 723 902 4333  
info@tdk-lambda.co.il  
www.emea.lambda.tdk.com/il



## C.I.S.

### Commercial Support:

Tel: +7 (495) 665 2627

### Technical Support:

Tel: +7 (812) 658 0463  
info@tdk-lambda.ru  
www.emea.lambda.tdk.com/ru



## TDK-Lambda Americas

Tel: +1 800-LAMBDA-4 or 1-800-526-2324  
powersolutions@us.tdk-lambda.com  
www.us.lambda.tdk.com



## TDK Electronics do Brasil Ltda

Tel: +55 11 3289-9599  
sales.br@tdk-electronics.tdk.com  
www.tdk-electronics.tdk.com/en



## TDK-Lambda Corporation

Tel: +81-3-6778-1113  
www.jp.lambda.tdk.com



## TDK-Lambda (China) Electronics Co. Ltd.

Tel: +86 21 6485-0777  
powersolutions@cn.tdk-lambda.com  
www.lambda.tdk.com.cn



## TDK-Lambda Singapore Pte Ltd.

Tel: +65 6251 7211  
tis.mkt@sg.tdk-lambda.com  
www.sg.lambda.tdk.com



## TDK India Private Limited, Power Supply Division

Tel: +91 80 4039-0660  
mathew.philip@in.tdk-lambda.com  
www.sg.lambda.tdk.com

