

TW2835

4-Channel Video and Audio Controller for Security Applications

FN7740
 Rev. 1.00
 May 22, 2017

The TW2835 has four high quality NTSC/PAL video decoders, dual color display controllers and dual video encoders. The TW2835 contains four built-in analog anti-aliasing filters, four 10bit Analog-to-Digital converters, and proprietary digital gain/clamp controller, high quality Y/C separator to reduce cross-noise and high performance free scaler. Four built-in motion, blind and night detectors can increase the feature of security system. The TW2835 has flexible video display/record/playback controller including basic display and MUX functions. The TW2835 also has excellent graphic overlay function that displays bitmap for OSD, single box, 2D array box, and mouse pointer. The built-in channel ID CODEC allows auto decoding and displaying during playback and the additional scaler on the playback supports multi-cropping function of the same field or frame image. The TW2835 contains two video encoders with three 10bit Digital-to-Analog converters to provide 2 composite or S-video. The TW2835 also includes audio CODEC that has four audio Analog-to-Digital converters and one Digital-to-Analog converter. A built-in audio controller can generate digital outputs for recording/mixing and accepts digital input for playback. The TW2835 can be extended up to 8/16 channel video controller using chip-to-chip cascade connection.

Features

Four Video Decoders

- Accepts all NTSC(M/N/4.43) / PAL(B/D/G/H/I/K/L/M/N/60) standards with auto detection
- Integrated four video analog anti-aliasing filters and 10 bit CMOS ADCs
- High performance adaptive 4H comb filters for all NTSC/PAL standards
- IF compensation filter for improvement of color demodulation
- Color Transient Improvement (CTI)
- Automatic white peak control
- Programmable hue, saturation, contrast, brightness and sharpness
- High performance horizontal and vertical scaler for each path including playback input
- Fast video locking system for non-realtime application
- Four built-in motion detectors with 16X12 cells and blind and night detectors
- Additional digital input for playback with ITU-R BT.656 standard
- Auto cropping / strobe for playback input with Channel ID decoder
- Supports four channel full D1 record mode

Dual Video Controllers

- Support full triplex function with 4ch live, 4ch playback display and 4ch record output
- Analog/Digital channel ID CODEC for record and playback application
- Support adaptive median filter for Record
- Supports pseudo 8 channel and/or dual page mode
- Horizontal/Vertical mirroring for each channel
- Last image captured when video-loss detected
- Auto sequence switch with 128 queues and/or manual switch by interrupt for record path
- Channel skip in auto sequence switch for record path when video-loss detected
- Image enhancement for zoomed or still image in display path

- High performance 2X zoom to horizontal and vertical direction for display path
- Extendable up to 8/16 channel video controller using cascade connection
- Quad MUX switch with 32 queues and/or manual control by interrupt for record path
- 64 color bitmap OSD overlay with 720x480 in NTSC / 720x588 resolution in PAL
- Four programmable single boxes and four 2D arrayed boxes overlay
- Mouse pointer overlay

Dual Video Encoders

- Dual path digital outputs with ITU-R BT.656 standard
- Dual path analog outputs with all analog NTSC/PAL standards
- Programmable bandwidth of luminance and chrominance signal for each path
- Three 10bit video CMOS DACs

Audio CODEC

- Integrated four audio ADCs and one audio DAC
- Provides multi-channel audio mixed analog output
- Supports a standard I2S interface for record output and playback input
- 8/16 bit audio word length
- Sample audio with 8/16KHz

Applications

- Analog QUAD/MUX System
- 4/8/16 Channel DVR System
- Car Rear Vision System
- Hair Shop System
- Dental Care System

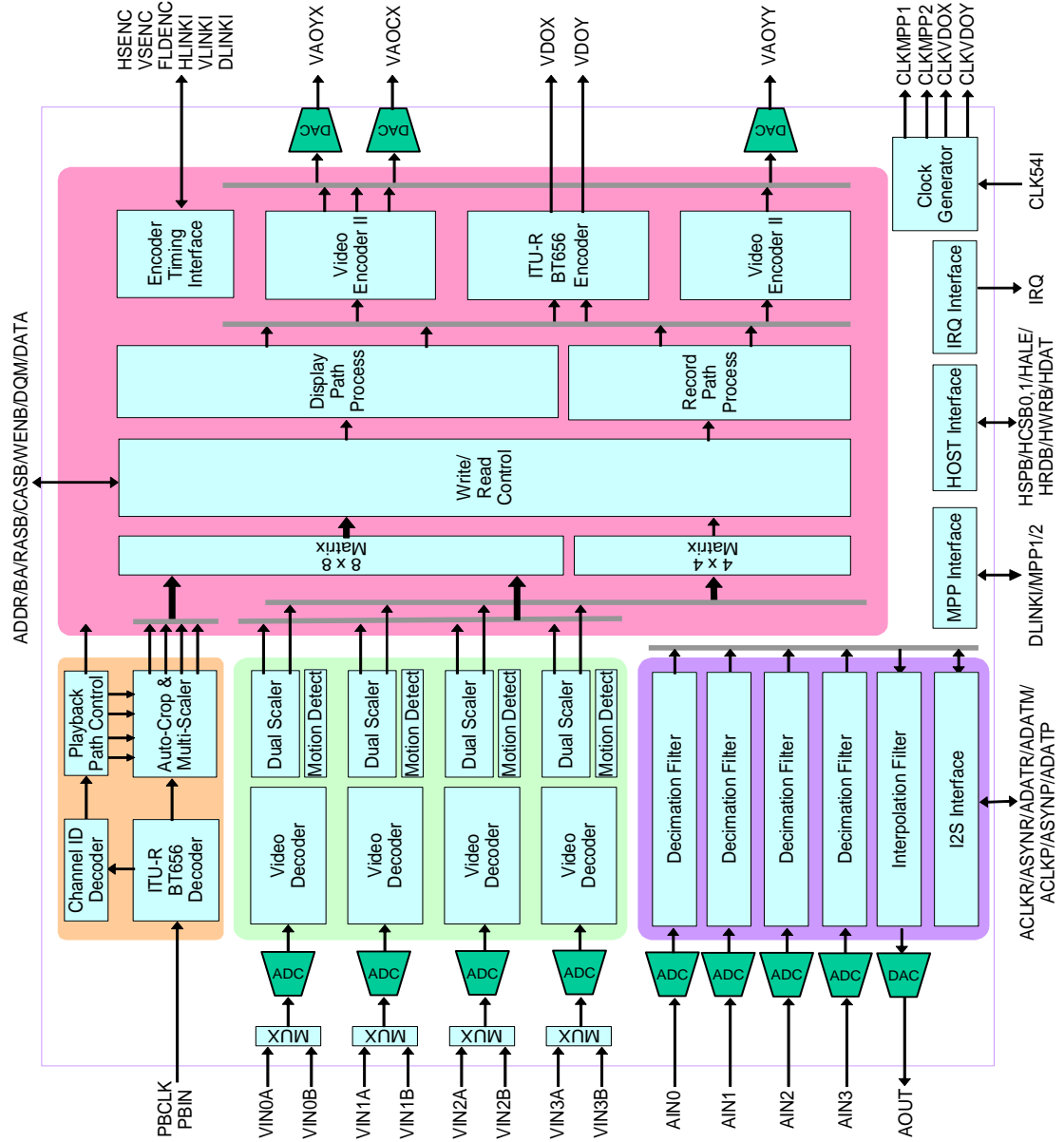
Table of Contents

| | |
|--|-----------|
| Block Diagram | 6 |
| Pin Description | 7 |
| Analog Interface Pins | 7 |
| Digital Video Interface Pins | 8 |
| Multi-purpose Pins | 9 |
| Digital Audio Interface Pins | 9 |
| Memory Interface Pins | 10 |
| System Control Pins | 11 |
| Power / Ground Pins | 12 |
| Pin Diagram | 13 |
| Functional Description | 15 |
| Video Input | 15 |
| Analog Video Input..... | 16 |
| Anti-aliasing Filter | 17 |
| Analog-to-Digital Converter | 17 |
| Sync Processing | 18 |
| Color Decoding | 19 |
| Luminance Processing..... | 21 |
| Chrominance Processing | 22 |
| Realtime Record Mode..... | 23 |
| Digital Video Input | 24 |
| Digital Video Input Format | 24 |
| Channel ID Decoder..... | 25 |
| Cropping and Scaling Function..... | 27 |
| Cropping Function for Live..... | 27 |
| Scaling Function for Live | 27 |
| Cropping and Scaling Function for Playback | 32 |
| Motion Detection | 33 |
| Mask and Detection Region Selection..... | 34 |
| Sensitivity Control | 35 |
| Level Sensitivity | 35 |
| Spatial Sensitivity | 35 |
| Temporal Sensitivity | 35 |
| Velocity Control | 36 |
| Blind Detection..... | 38 |

| | |
|---|-----------|
| Night Detection..... | 38 |
| Video Control..... | 39 |
| Channel Input Selection | 40 |
| Channel Operation Mode | 41 |
| Live Mode..... | 41 |
| Strobe Mode..... | 42 |
| Switch Mode | 44 |
| Channel Attribute..... | 47 |
| Background Control | 47 |
| Boundary Control..... | 47 |
| Blank Control..... | 47 |
| Freeze Control..... | 47 |
| Last Image Captured | 48 |
| Horizontal / Vertical Mirroring | 48 |
| Field to Frame Conversion | 48 |
| Display Path Control..... | 49 |
| Save and Recall Function | 49 |
| Image Enhancement | 50 |
| Zoom Function..... | 50 |
| Picture Size and Popup Control..... | 51 |
| Full Triplex Function | 52 |
| Playback Path Control..... | 53 |
| Frame Record Mode..... | 55 |
| DVR Normal Record Mode..... | 57 |
| DVR Frame Record Mode..... | 58 |
| Record Path Control..... | 60 |
| Normal Record Mode | 61 |
| Frame Record Mode..... | 62 |
| DVR Normal Record Mode..... | 63 |
| DVR Frame Record Mode..... | 64 |
| Noise Reduction | 65 |
| Channel ID Encoder..... | 66 |
| Channel ID Information | 66 |
| Analog Type Channel ID in VBI..... | 69 |
| Digital Type Channel ID in VBI | 70 |
| Digital Type Channel ID in Channel Boundary | 71 |
| Chip-to-Chip Cascade Operation | 72 |
| Channel Priority Control | 72 |
| 120 CIF/Sec Record Mode | 74 |
| 240 CIF/Sec Record Mode | 75 |
| 480 CIF/Sec Record Mode | 76 |
| Infinite Cascade Mode for Display Path..... | 77 |

| | |
|---------------------------------------|------------|
| OSD (On Screen Display) Control | 78 |
| 2 Dimensional Arrayed Box | 78 |
| Bitmap Overlay | 81 |
| Single Box..... | 85 |
| Mouse Pointer | 85 |
| Video Output..... | 86 |
| Timing Interface and Control | 87 |
| Analog Video Output | 89 |
| Output Standard Selection | 89 |
| Luminance Filter | 90 |
| Chrominance Filter..... | 90 |
| Digital-to-Analog Converter | 90 |
| Digital Video Output..... | 92 |
| Single Output Mode | 92 |
| Dual Output Mode..... | 94 |
| Audio CODEC | 95 |
| Multi-Chip Operation..... | 96 |
| Serial Audio Interface | 98 |
| Analog Audio Output | 101 |
| Host Interface | 102 |
| Serial Interface..... | 103 |
| Parallel Interface | 105 |
| Interrupt Interface..... | 107 |
| MPP Pin Interface | 108 |
| Control Register | 109 |
| Register Map..... | 109 |
| Recommended Value | 118 |
| Register Description..... | 123 |
| Parametric Information..... | 244 |
| DC Electrical Parameters..... | 244 |
| AC Electrical Parameters..... | 246 |
| Application Schematic | 250 |
| Package Dimension | 251 |
| Revision History..... | 253 |

Block Diagram



Pin Description

Analog Interface Pins

| Name | Number | | Type | Description |
|-------|------------|-------------|------|---------------------------------------|
| | <i>QFP</i> | <i>LBGA</i> | | |
| VIN0A | 166 | B12 | A | Composite video input A of channel 0. |
| VIN0B | 167 | C12 | A | Composite video input B of channel 0. |
| VIN1A | 170 | B11 | A | Composite video input A of channel 1. |
| VIN1B | 171 | C11 | A | Composite video input B of channel 1. |
| VIN2A | 176 | B10 | A | Composite video input A of channel 2. |
| VIN2B | 177 | C10 | A | Composite video input B of channel 2. |
| VIN3A | 180 | B9 | A | Composite video input A of channel 3. |
| VIN3B | 181 | C9 | A | Composite video input B of channel 3. |
| VAOYX | 184 | C8 | A | Analog video output. |
| VAOCX | 186 | D8 | A | Analog video output. |
| VAOYY | 189 | C7 | A | Analog video output. |
| NC | 191 | D7 | A | No connection. |
| AIN0 | 197 | B6 | A | Audio input of channel 0. |
| AIN1 | 198 | C6 | A | Audio input of channel 1. |
| AIN2 | 199 | B5 | A | Audio input of channel 2. |
| AIN3 | 200 | C5 | A | Audio input of channel 3. |
| AOUT | 194 | D5 | A | Audio mixing output. |

Digital Video Interface Pins

| Name | Number | | Type | Description |
|------------|-------------------------------------|-------------------------------------|------|--|
| | QFP | LBGA | | |
| VDOX [7:0] | 8,9, 10,11, 13,14, 15,16 | C1,C2, D2,D3, E1,E2, E3,E4 | O | Digital video data output for display path. Or link signal for multi-chip connection. |
| VDOY [7:0] | 33,34, 36,37, 38,39, 40,42 | J4,K2, K3,L1, L2,L3, L4,M1 | O | Digital video data output for record path. |
| CLKVDOX | 17 | F1 | O | Clock output for VDOUTX. |
| CLKVDOY | 32 | J3 | O | Clock output for VDOUTY.. |
| HSENC | 21 | F4 | O | Encoder horizontal sync. |
| VSENC | 20 | F3 | O | Encoder vertical sync. Or link signal for multi-chip connection. |
| FLDENC | 19 | F2 | O | Encoder field flag. |
| PBDIN[7:0] | 43,44, 45,46, 48,49, 50,51 | M2,M3, M4,N2, N3,P1, P2,R1 | I | Video data of playback input. |
| PBCLK | 54 | R2 | I | Clock of playback input. |

Multi-purpose Pins

| Name | Number | | Type | Description |
|-------------|---|---|------|--|
| | <i>QFP</i> | <i>LBGA</i> | | |
| HLINKI | 138 | F14 | I/O | Link signal for multi-chip connection. |
| VLINKI | 140 | F13 | I | Link signal for multi-chip connection. |
| DLINKI[7:0] | 149,148, 147,146, 144,143, 142,141 | C15,C16, D14,D15, E13,E14, E15,E16 | I/O | Link signal for multi-chip connection. Or decoder's bypassed data output. Or decoder's timing signal output. Or general purpose input/output. |
| MPP1[7:0] | 204,205, 206,207, 2,3, 4,5 | A4,B4, C4,A3, B3,C3, A2,B2 | I/O | Decoder's bypassed data output. Or decoder's timing signal output. Or general purpose input/output. |
| MPP2[7:0] | 152,153, 154,155, 158,159, 160,161 | B16,B15, A15,A14, B14,A13, B13,C13 | I/O | Decoder's bypassed data output. Or decoder's timing signal output. Or general purpose input/output. |
| CLKMPP1 | 7 | B1 | O | Clock output for MPP1 data. |
| CLKMPP2 | 150 | C14 | O | Clock output for MPP2 data. |

Digital Audio Interface Pins

| Name | Number | | Type | Description |
|--------|------------|-------------|------|--|
| | <i>QFP</i> | <i>LBGA</i> | | |
| ACLKR | 27 | H3 | O | Audio serial clock output of record. |
| ASYNR | 26 | H2 | O | Audio serial sync output of record. |
| ADATR | 25 | H1 | O | Audio serial data output of record. |
| ADATM | 23 | G3 | O | Audio serial data output of mixing. |
| ACLKP | 31 | J2 | I/O | Audio serial clock input/output of playback. |
| ASYNP | 30 | J1 | I/O | Audio serial sync input/output of playback. |
| ADATP | 28 | H4 | I | Audio serial data input of playback. |
| ALINKI | 137 | F15 | I | Link signal for multi-chip connection. |
| ALINKO | 22 | G2 | O | Link signal for multi-chip connection. |

Memory Interface Pins

| Name | Number | | Type | Description |
|------------|---|--|------|------------------------------------|
| | QFP | LBGA | | |
| DATA[31:0] | 76,77, 78,79, 80,82, 83,84, 85,86, 88,89, 90,91, 92,94, 118,119, 120,121, 123,124, 125,126, 127,129, 130,131, 132,134, 135,136 | R8,P8, N8,T9, R9,P9, N9,R10, P10,T11, R11,P11, N11,T12, R12,P12, L15,L14, L13,K15, K14,J16, J15,J14, J13,H16, H15,H14, H13,G15, G14,F16 | I/O | SDRAM data bus. |
| ADDR[10:0] | 95,96, 97,98, 100,101, 102,103, 106,107, 108 | N12,R13, P13,T14, R14,P14, T15,R15, R16,P16, P15 | O | SDRAM address bus. ADDR[10] is AP. |
| BA1 | 109 | N15 | O | SDRAM bank1 selection. |
| BA0 | 111 | N14 | O | SDRAM bank0 selection. |
| RASB | 113 | M15 | O | SDRAM row address selection. |
| CASB | 114 | M14 | O | SDRAM column address selection. |
| WEB | 115 | M13 | O | SDRAM write enable. |
| DQM | 117 | L16 | O | SDRAM write mask. |
| CLK54MEM | 112 | M16 | O | SDRAM clock. |

System Control Pins

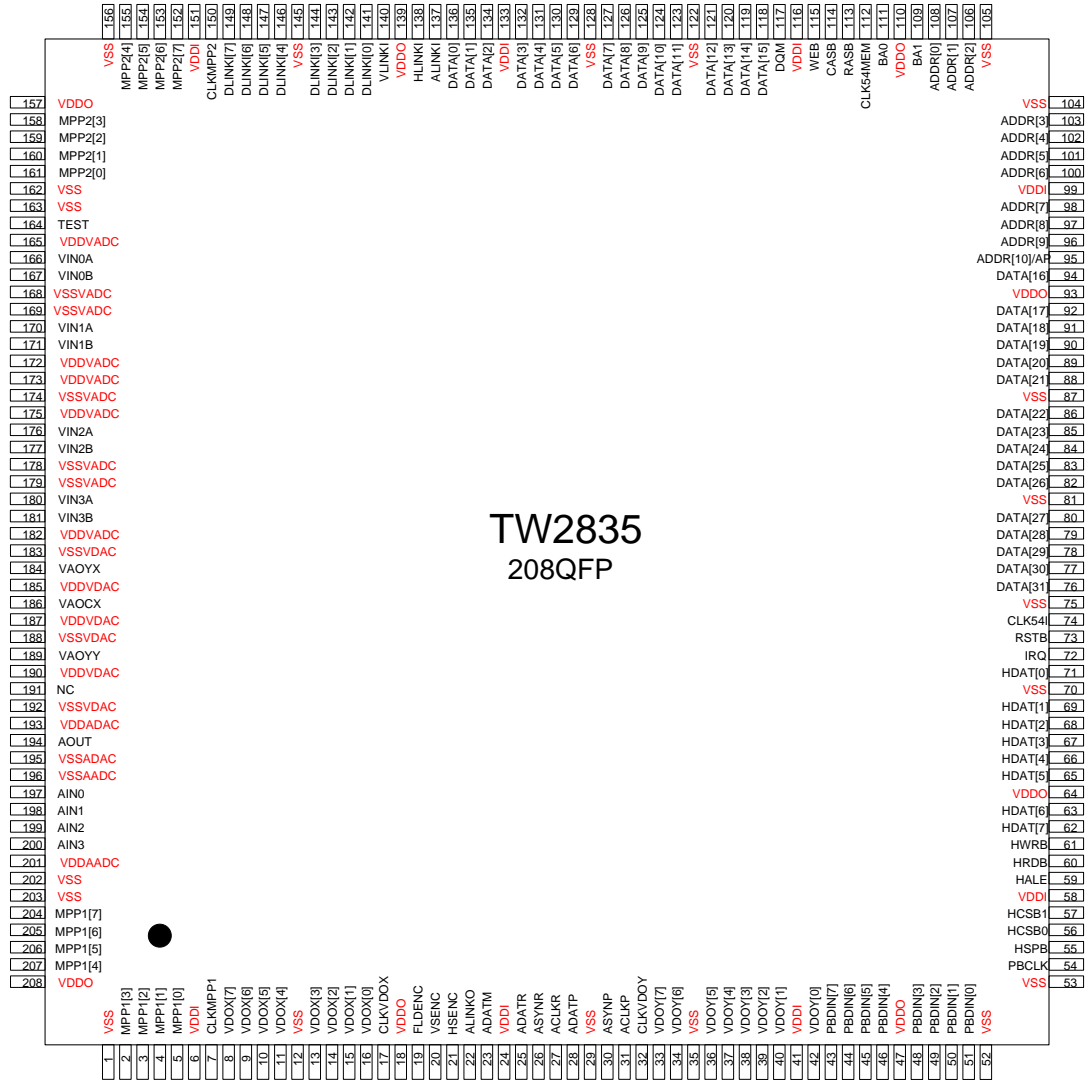
| Name | Number | | Type | Description |
|-----------|-------------------------------------|-------------------------------------|------|---|
| | QFP | LBGA | | |
| TEST | 164 | D12 | I | Only for the test purpose. Must be connected to VSSO. |
| RSTB | 73 | P7 | I | System reset. Active low. |
| IRQ | 72 | R7 | O | Interrupt request signal. |
| HDAT[7:0] | 62,63, 65,66, 67,68, 69,71 | T5,R5, P5,N5, T6,R6, P6,N6 | I/O | Data bus for parallel interface. HDAT[7] is serial data for serial interface. HDAT[6:1] is slave address[6:1] for serial interface. |
| HWRB | 61 | P4 | I | Write enable for parallel interface. VSSO for serial interface. |
| HRDB | 60 | R4 | I | Read enable for parallel interface. VSSO for serial interface. |
| HALE | 59 | P3 | I | Address line enable for parallel interface. Serial clock for serial interface. |
| HCSB1 | 57 | R3 | I | Chip select 1 for parallel interface. VSSO for serial interface. |
| HCSB0 | 56 | T3 | I | Chip select 0 for parallel interface. Slave address[0] for serial interface. |
| HSPB | 55 | T2 | I | Select serial/parallel host interface. |
| CLK54I | 74 | T8 | I | 54MHz system clock. |

Power / Ground Pins

| Name | Number | | Type | Description |
|----------|--|--|------|--|
| | <i>QFP</i> | <i>LBGA</i> | | |
| VDDO | 18,47, 64,93, 110,139, 157,208 | A1,A16, K1,K16, T1,T7, T10,T16 | P | Digital power for output driver 3.3V. |
| VDDI | 6,24, 41,58, 99,116, 133,151, | D1,D16, G1,G16, N1,N16, T4,T13 | P | Digital power for internal logic 1.8V. |
| VDDVADC | 165,172, 173,175, 182 | A8,A9, A10,A11, A12 | P | Analog power for Video ADC 1.8V. |
| VSSVADC | 168,169, 174,178, 179 | D10,D11, D13, E11, E12 | G | Analog ground for Video ADC 1.8V. |
| VDDVDAC | 185,187, 190 | A7,B7, B8 | P | Analog power for Video DAC 1.8V. |
| VSSVDAC | 183,188, 192 | D9,E7, E8,E9, E10 | G | Analog ground for Video DAC 1.8V. |
| VDDAACDC | 201 | A6 | P | Analog power for Audio ADC 1.8V. |
| VSSAACDC | 196 | D6,E6 | G | Analog ground for Audio ADC 1.8V. |
| VDDADAC | 193 | A5 | P | Analog power for Audio DAC 1.8V. |
| VSSADAC | 195 | D4,E5 | G | Analog ground for Audio DAC 1.8V. |
| VSS | 1,12, 29,35, 52,53, 70,75, 81,87, 104,105, 122,128, 145,156, 162,163, 202,203 | F5~F12, G4~G13, H5~H12, J5~J12, K4~K13, L5~L12, M5~M12, N4,N7, N10,N13 | G | Ground. |

Pin Diagram

208 QFP Pin Diagram (Top -> Bottom View)



TW2835
208QFP

256 LPGA Pin Diagram (Top->Bottom View)

| | A | B | C | D | E | F | G | H | J | K | L | M | N | P | R | T | |
|----|----------|----------|------------|------------|------------|----------|----------|----------|-----------|-----------|-----------|-----------|-------------|-----------|-----------|-----------|----|
| 16 | VDDO | MPP2 [7] | DLINKI [6] | VDDI | DLINKI [0] | DATA [0] | VDDI | DATA [6] | DATA [10] | VDDO | DQM | CLK 54MEM | VDDI | ADDR [1] | ADDR [2] | VDDO | 16 |
| 15 | MPP2 [5] | MPP2 [6] | DLINKI [7] | DLINKI [4] | DLINKI [1] | ALINKI | DATA [2] | DATA [5] | DATA [9] | DATA [12] | DATA [15] | RASB | BA1 | ADDR [0] | ADDR [3] | ADDR [4] | 15 |
| 14 | MPP2 [4] | MPP2 [3] | CLK MPP2 | DLINKI [5] | DLINKI [2] | HLINKI | DATA [1] | DATA [4] | DATA [8] | DATA [11] | DATA [14] | CASB | BA0 | ADDR [5] | ADDR [6] | ADDR [7] | 14 |
| 13 | MPP2 [2] | MPP2 [1] | MPP2 [0] | VSSV ADC | DLINKI [3] | VLINKI | VSS | DATA [3] | DATA [7] | VSS | DATA [13] | WEB | VSS | ADDR [8] | ADDR [9] | VDDI | 13 |
| 12 | VDD VADC | VIN0A | VIN0B | TEST | VSS | VSS | VSS | VSS | VSS | VSS | VSS | VSS | ADDR [10]AP | DATA [16] | DATA [17] | DATA [18] | 12 |
| 11 | VDD VADC | VIN1A | VIN1B | VSSV ADC | VSSV ADC | VSSV ADC | VSS | VSS | VSS | VSS | VSS | VSS | DATA [19] | DATA [20] | DATA [21] | DATA [22] | 11 |
| 10 | VDD VADC | VIN2A | VIN2B | VSSV ADC | VSSV DAC | VSS | VSS | VSS | VSS | VSS | VSS | VSS | VSS | DATA [23] | DATA [24] | VDDO | 10 |
| 9 | VDD VADC | VIN3A | VIN3B | VSSV DAC | VSSV DAC | VSS | VSS | VSS | VSS | VSS | VSS | VSS | DATA [25] | DATA [26] | DATA [27] | DATA [28] | 9 |
| 8 | VDD VADC | VDD VDAC | VAOYX | VAOCX | VSSV DAC | VSS | VSS | VSS | VSS | VSS | VSS | VSS | DATA [29] | DATA [30] | DATA [31] | CLK54I | 8 |
| 7 | VDD VDAC | VDD VDAC | VAOYY | NC | VSSV DAC | VSS | VSS | VSS | VSS | VSS | VSS | VSS | VSS | RSTB | IRQ | VDDO | 7 |
| 6 | VDD AADC | AIN0 | AIN1 | VSSA ADC | VSSA ADC | VSS | VSS | VSS | VSS | VSS | VSS | VSS | HDAT [0] | HDAT [1] | HDAT [2] | HDAT [3] | 6 |
| 5 | VDD ADAC | AIN2 | AIN3 | AOUT | VSSA DAC | VSS | VSS | VSS | VSS | VSS | VSS | VSS | HDAT [4] | HDAT [5] | HDAT [6] | HDAT [7] | 5 |
| 4 | MPP1 [7] | MPP1 [6] | MPP1 [5] | VSSA DAC | VDOX [0] | HS ENC | VSS | ADATP | VDOY [7] | VSS | VDOY [1] | PBDIN [5] | VSS | HWRB | HRDB | VDDI | 4 |
| 3 | MPP1 [4] | MPP1 [3] | MPP1 [2] | VDOX [4] | VDOX [1] | VS ENC | ADATM | ACLKR | CLK VDOY | VDOY [5] | VDOY [2] | PBDIN [6] | PBDIN [3] | HALE | HCSB1 | HCSB0 | 3 |
| 2 | MPP1 [1] | MPP1 [0] | VDOX [6] | VDOX [5] | VDOX [2] | FLD ENC | ALINKC | ASYNF | ACLKP | VDOY [6] | VDOY [3] | PBDIN [7] | PBDIN [4] | PBDIN [1] | PB CLK | HSPB | 2 |
| 1 | VDDO | CLK MPP1 | VDOX [7] | VDDI | VDOX [3] | CLK VDOX | VDDI | ADATR | ASYNF | VDDO | VDOY [4] | VDOY [0] | VDDI | PBDIN [2] | PBDIN [0] | VDDO | 1 |
| | A | B | C | D | E | F | G | H | J | K | L | M | N | P | R | T | |

Functional Description

Video Input

The TW2835 has 5 input interfaces that consist of 1 digital video input and 4 analog composite video inputs. Four analog video inputs are converted to digital video stream through 10 bits ADC and luminance/chrominance processor in built-in four video decoders. One digital input for playback application are decoded by internal ITU-R BT656 decoder and then fed to video control part and channel ID decoder. Each built-in video decoder has its own motion detector and dual scaler. Four additional scalers are also embedded for playback display application. The structure of video input is shown in the following Fig 1.

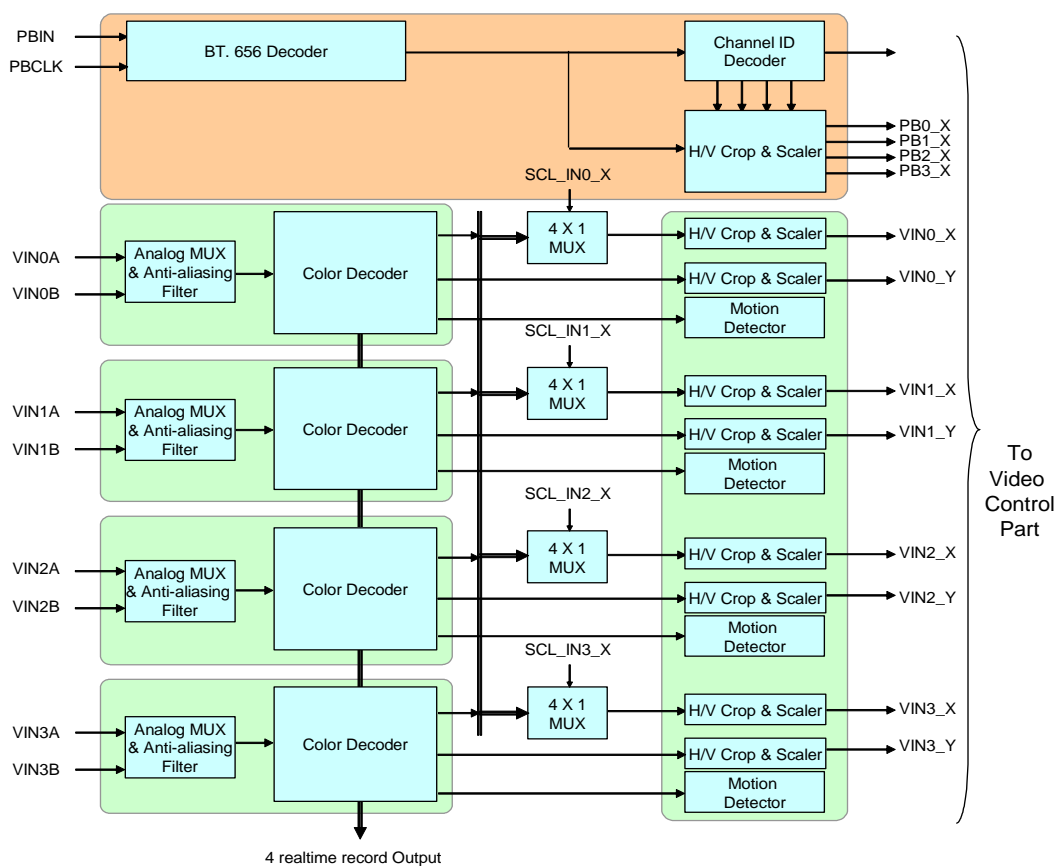


Fig 1 The structure of video input

For the special 4ch real-time record application, the TW2835 supports 4 realtime video decoder outputs through the multi-purpose output pins (MPP1[7:0] and MPP2[7:0]).

Analog Video Input

The TW2835 supports all NTSC/PAL video standards for analog input and contains automatic standard detection circuit. Automatic standard detection can be overridden by writing the value into the IFMTMAN and IFORMAT (0x01, 0x11, 0x21, and 0x31) registers. Even if video loss is detected, the TW2835 can be forced to free-running in a particular video standard mode by IFORMAT register. The Table 1 shows the video input standards supported by TW2835.

Table 1 Video input standards

| IFORMAT | PEDEST | Format | Line/Fv (Hz) | Fh (KHz) | Fsc (MHz) |
|---------|--------|------------|--------------|----------|------------|
| 0 | 0 | PAL-BDGI | 625/50 | 15.625 | 4.43361875 |
| | 1 | PAL-N* | | | |
| 1 | 1 | PAL-M* | 525/59.94 | 15.734 | 3.57561149 |
| 2 | 0 | PAL-NC | 625/50 | 15.625 | 3.58205625 |
| 3 | 0 | PAL-60 | 525/59.94 | 15.734 | 4.43361875 |
| 4 | 0 | NTSC-J | 525/59.94 | 15.734 | 3.579545 |
| | 1 | NTSC-M* | | | |
| 5 | 1 | NTSC-4.43* | 525/59.94 | 15.734 | 4.43361875 |
| 6 | 0 | NTSC-N | 625/50 | 15.625 | 3.579545 |

Notes: * 7.5 IRE Setup

Anti-aliasing Filter

The TW2835 contains an anti-aliasing filter to prevent out-of-band frequency in analog video input signal. So there is no need of external components in analog input pin except ac coupling capacitor and termination resistor. The following Fig 2 shows the frequency response of the anti-aliasing filter.

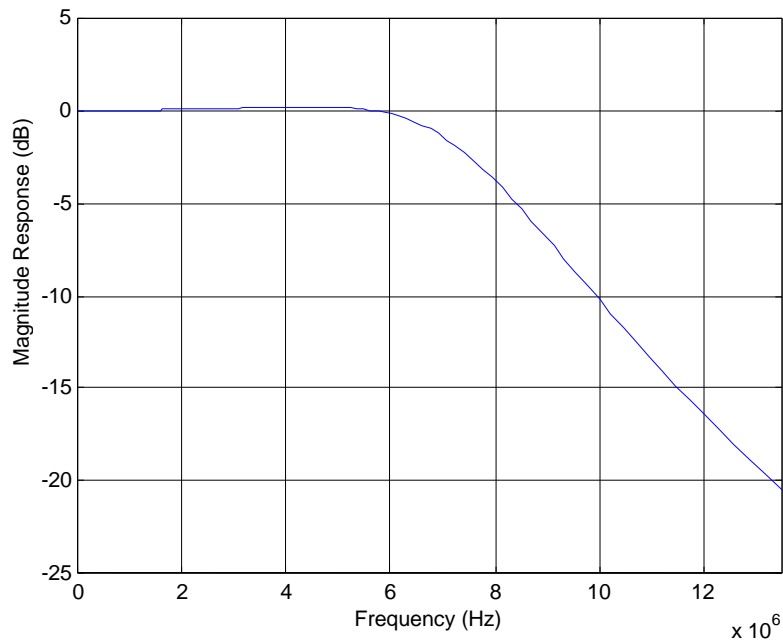


Fig 2. The frequency response of anti-aliasing filter

Analog-to-Digital Converter

The TW2835 contains four 10-bit ADC (Analog to Digital Converters) to digitize the analog video inputs. Each ADC has two analog switches that are controlled by the ANA_SW (0x0D, 0x1D, 0x2D, and 0x3D) register. The ADC can also be put into power-down mode by the ADC_PWDN (0x4C) register.

Sync Processing

The sync processor of the TW2835 detects horizontal and vertical synchronization signals in the composite video signal. The TW2835 utilizes proprietary technology for locking to weak, noisy, or unstable signals such as those from on air signal or fast forward/backward play of VCR system.

A digital gain and clamp control circuit restores the ac coupled video signal to a fixed dc level. The clamping circuit provides line-by-line restoration of the video pedestal level to a fixed dc reference voltage. In no AGC mode, the gain control circuit adjusts only the video sync gain to achieve desired sync amplitude so that the active video is bypassed regardless of the gain control. But when AGC mode is enabled, both active video and sync are adjusted by the gain control.

The horizontal synchronization processor contains a sync separator, a PLL and the related decision logic. The horizontal sync separator detects the horizontal sync by examining low-pass filtered video input whose level is lower than a threshold. Additional logic is also used to avoid false detection on glitches. The horizontal PLL locks onto the extracted horizontal sync in all conditions to provide jitter free image output. In case of missing horizontal sync, the PLL is on free running status that matches the standard raster frequency.

The vertical sync separator detects the vertical synchronization pattern in the input video signals. The field status is determined at vertical synchronization time. When the location of the detected vertical sync is inline with a horizontal sync, it indicates a frame start or the odd field start. Otherwise, it indicates an even field.

Color Decoding

The digitized composite video data at 2X pixel clock rate first passes through decimation filter. The decimation filter is required to achieve optimum performance and prevent high frequency components from being aliased back into the video image. The following Fig 3 shows the frequency characteristic of the decimation filter.

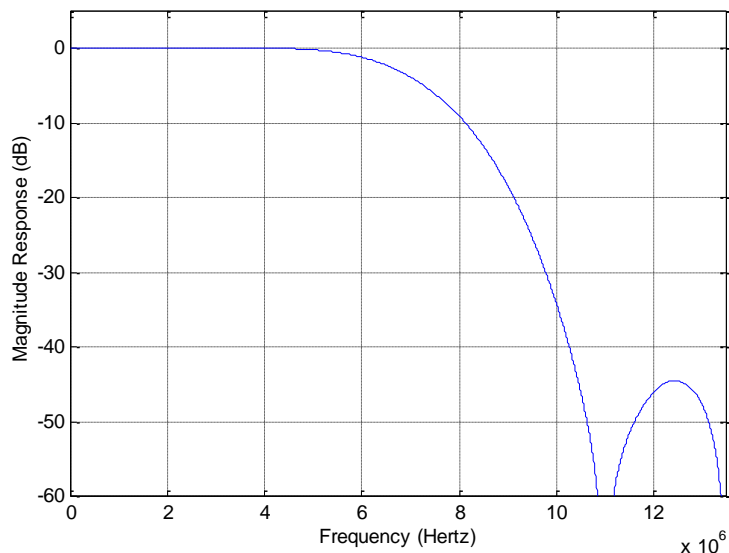


Fig 3 The frequency characteristic of the decimation Filter

The adaptive comb filter is used for high performance luminance/chrominance separation from NTSC/PAL composite video signals. The comb filter improves the luminance resolution and reduces noise such as cross-luminance and cross-color. The adaptive algorithm eliminates most of errors without introducing new artifacts or noise. To accommodate some viewing preferences, additional chrominance trap filters are also available in the luminance path.

Fig 4 and Fig 5 show the frequency response of notch filter for each system NTSC and PAL.

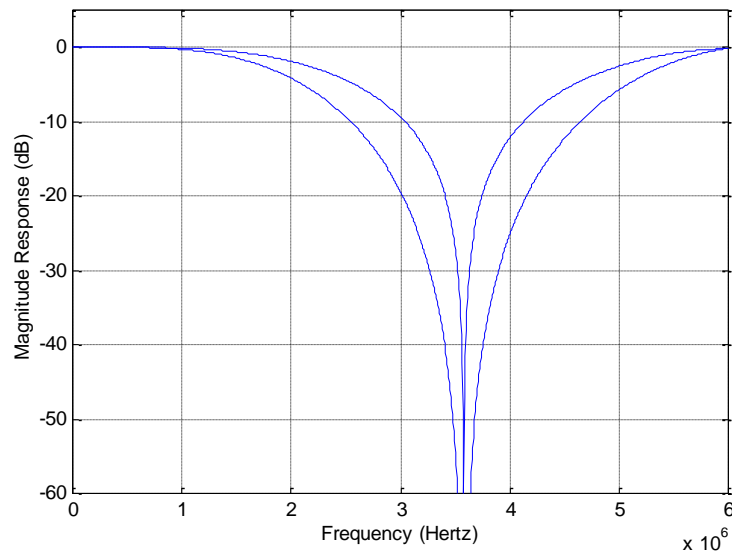


Fig 4 The frequency response of luminance notch filter for NTSC

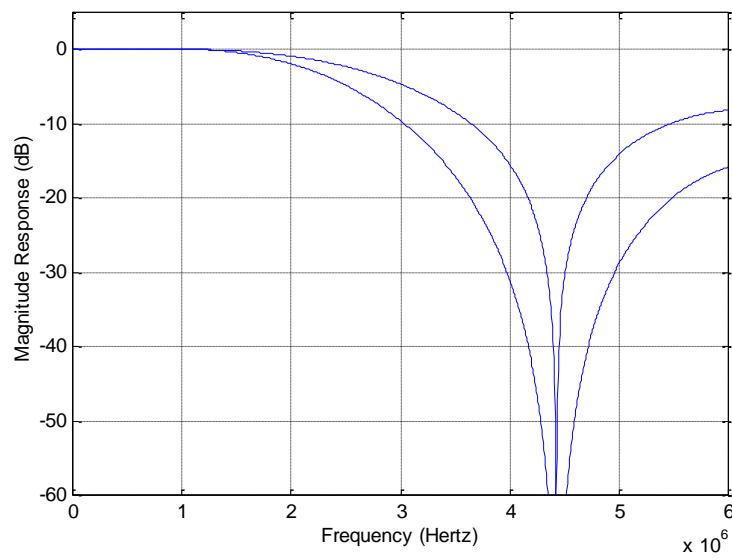


Fig 5 The frequency response of luminance notch filter for PAL

Luminance Processing

The luminance signal separated by adaptive comb or trap filter is then fed to a peaking circuit. The peaking filter enhances the high frequency components of the luminance signal via the Y_PEAK (0x0B, 0x1B, 0x2B, and 0x3B) register. The following Fig 6 shows the characteristics of the peaking filter for four different gain modes.

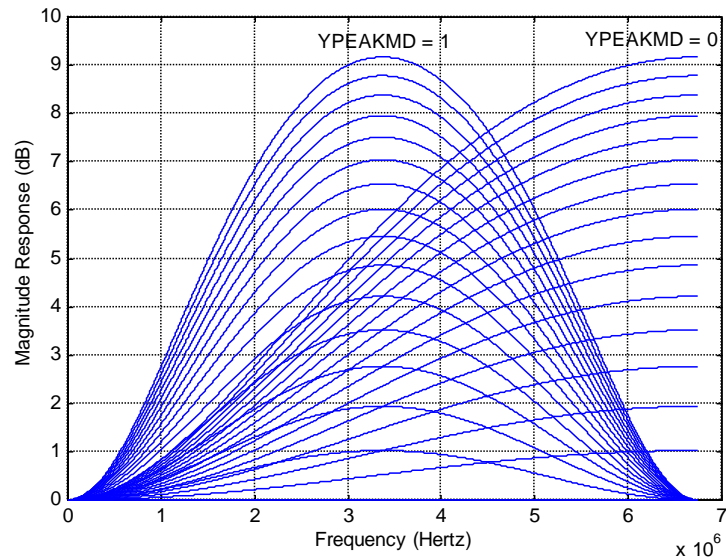


Fig 6 The frequency characteristic of luminance peaking filter

The picture contrast and brightness adjustment is provided through the CONT (0x09, 0x19, 0x29, and 0x39) and BRT (0x0A, 0x1A, 0x2A, and 0x3A) registers. The contrast adjustment range is from approximately 0 to 200 percent and the brightness adjustment is in the range of ± 25 IRE.

Chrominance Processing

The chrominance demodulation is done by first quadrature mixing for NTSC and PAL. The mixing frequency is equal to the sub-carrier frequency of NTSC and PAL. After the mixing, a LPF is used to remove 2X carrier signal and yield chrominance components. The characteristic of LPF can be selected for optimized transient color performance. The Fig 7 is showing the frequency response of chrominance LPF.

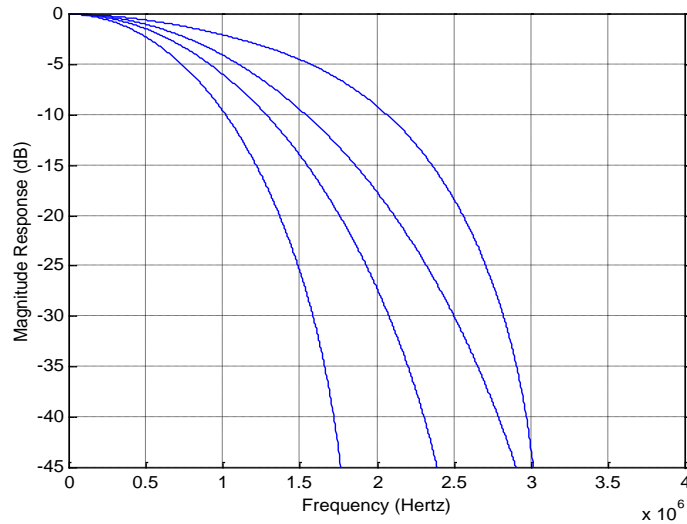


Fig 7 The frequency response of chrominance LPF

In case of a mistuned IF source, IF compensation filter makes up for any attenuation at higher frequencies or asymmetry around the color sub-carrier. The gain for the upper chrominance side band is controlled by the IFCOMP (0x46) register. The Fig 8 shows the frequency response of IF-compensation filter.

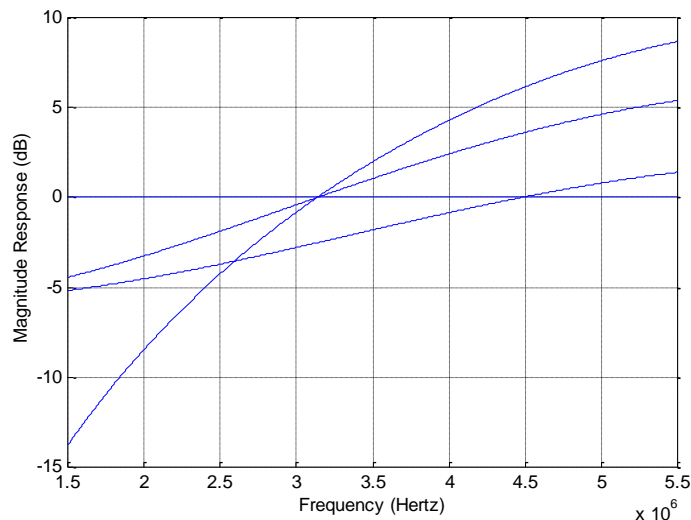


Fig 8 The frequency characteristics of IF-compensation filter

The ACC (Automatic Color gain Control) compensates for reduced chrominance amplitudes caused by high frequency suppression in video signal. The range of ACC is from -6dB to 30dB approximately. For black & white video or very weak & noisy signals, the internal color killer circuit will turn off the color. The color killing function can also be always enabled or disabled by programming CKIL (0x0C, 0x1C, 0x2C, and 0x3C) register.

The color saturation can be adjusted by changing SAT (0x08, 0x18, 0x28, and 0x38) register. The Cb and Cr gain can be also adjusted independently by programming UGAIN (0x48) and VGAIN (0x49) registers. Likewise, the Cb and Cr offset can be programmed through the U_OFF (0x4A) and V_OFF (0x4B) registers. Hue control is achieved with phase shift of the digitally controlled oscillator. The phase shift can be programmed through the HUE (0x07, 0x17, 0x27, and 0x37) register.

Realtime Record Mode

The TW2835 supports four channel real-time record outputs with full D1 format through the DLINKI and MPP1/2 pins. Four channel real-time record outputs are independent of display and record path mode. The TW2835 also supports H/V/F signals for each channel through the DLINKI and MPP1/2 pins. The output modes of DLINKI and MPP1/2 pins are controlled via the MPP_MD (1xB0) and MPP_SET (1xB1, 1xB3, and 1xB5) registers.

Digital Video Input

The TW2835 supports digital video input with 8bit ITU-R BT.656 standard for playback. This digital input is decoded in built-in ITU-R BT 656 decoder and fed to the scaler block in order to display the scaled video data. The TW2835 supports error correction mode for decoding ITU-R BT.656. The decoded video data are also transferred to channel ID decoder part for auto cropping and strobe function.

Digital Video Input Format

The timing of digital video input is illustrated in Fig 9.

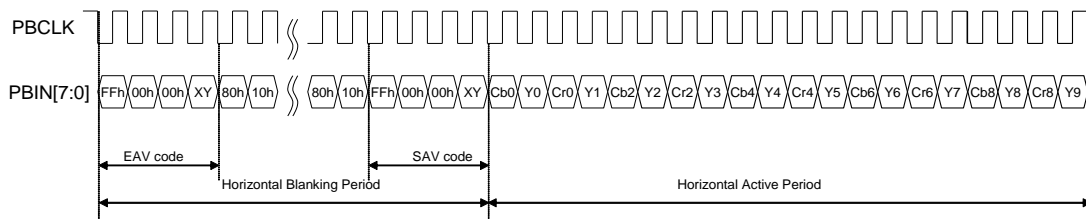


Fig 9 Timing diagram of ITU-R BT.656 format for digital video input

The SAV and EAV sequences are shown in Table 2.

Table 2 ITU-R BT.656 SAV and EAV code sequence

| Condition | | | 656 FVH Value | | | SAV/EAV Code Sequence | | | | | | | | | | | | |
|-----------|----------|------------|---------------|---|---|-----------------------|--------|-------|--------|------|------|------|------|------|------|------|------|------|
| Field | Vertical | Horizontal | F | V | H | First | Second | Third | Fourth | | | | | | | | | |
| EVEN | Blank | EAV | 1 | 1 | 1 | 0xFF | 0x00 | 0x00 | 0xF1 | | | | | | | | | |
| | | SAV | | | 0 | | | | 0xEC | | | | | | | | | |
| EVEN | Active | EAV | 1 | 0 | 1 | | | | 0xFF | 0x00 | 0x00 | 0xDA | | | | | | |
| | | SAV | | | 0 | | | | | | | 0xC7 | | | | | | |
| ODD | Blank | EAV | 0 | 1 | 1 | | | | | | | 0xFF | 0x00 | 0x00 | 0xB6 | | | |
| | | SAV | | | 0 | | | | | | | | | | 0xAB | | | |
| ODD | Active | EAV | 0 | 0 | 1 | | | | | | | | | | 0xFF | 0x00 | 0x00 | 0x9D |
| | | SAV | | | 0 | | | | | | | | | | | | | 0x80 |

Channel ID Decoder

The TW2835 provides channel ID decoding function for playback input. The TW2835 supports three kinds of channel ID such as User channel ID, Detection channel ID, and auto channel ID. The User channel ID is used for customized information like system information and date. The Detection channel ID is used for detected information of current live input such as motion, video loss, blind and night detection information. The auto channel ID is employed for automatic identification of picture configuration which includes the channel number, analog switch, event, region enable and field/frame mode information. The TW2835 also supports both analog and digital type channel ID during VBI period. The digital channel ID has priority over analog channel ID. The analog type channel ID decoding is enabled via the VBI_ENA (1x86) register and the digital type channel ID decoding is operated via VBI_CODE_EN (1x86) register. Additionally to detect properly the analog channel ID against noise such as VCR source, the channel ID LPF can be enabled via the VBI_FLT_EN (1x86) register. The decoded channel ID information is used for auto cropping / strobe function and can also be read through the host interface. The detailed auto cropping / strobe function for playback input will be described at “Cropping Function” section (page 34) and “Playback Path Control” section (page 57).

For channel ID detection mode, the TW2835 supports both automatic channel ID detection mode and manual channel ID detection mode. For an automatic channel ID detection mode, the playback input should include a run-in clock. But for a manual channel ID detection mode, the playback input can include a run-in clock or not via VBI_RIC_ON (1x88) register. In a manual detection mode, the TW2835 has several related register such as the VBI_PIXEL_HOS (1x87) to define horizontal start offset, the VBI_FLD_OS (1x88) to define line offset between odd and even field, the VBI_PIXEL_HW to define pulse width for 1 bit data, the VBI_LINE_SIZE (1x89) to define channel ID line size and the VBI_LINE_OS (1x89) to define line offset for channel ID. The VBI_MID_VAL (1x8A) register is used to define the threshold level between high and low. Even in automatic channel ID detection mode, the line size and bit width can be discriminated by reading the VBI_LINE_SIZE and VBI_PIXEL_HW (1xCB) register. The Fig 10 shows the relationship between channel ID and register setting.

This channel ID information can be read through the CHID_TYPE or CHID_VALID (1x8B), AUTO_CHID 0/1/2/3 (1x8C~ 1x8F), DET_CHID 0/1/2/3/4/5/6/7 (1x98~1x9F), and USER_CHID 0/1/2/3/4/5/6/7 (1x90~1x97) registers. The CHID_TYPE register discriminates between the Auto channel ID (CHID_TYPE = “1”) and User channel ID (CHID_TYPE = “0”). The CHID_VALID register indicates whether the detected channel ID type is valid or not. The AUTO_CHID, DET_CHID and USER_CHID registers are used to check the decoded channel ID data when the VBI_RD_CTL (1x88) register value is “1”.

Basically the channel ID is located in VBI period and auto strobe and cropping is executed after channel ID decoding. But for some case, the channel ID can be placed in vertical active period instead of VBI period. For this mode, the TW2835 also supports the channel ID decoding function within vertical active period via the VAV_CHK (1x89) register and manual cropping function via the MAN_PBCROP (0xC0) register with proper VDELAY value.

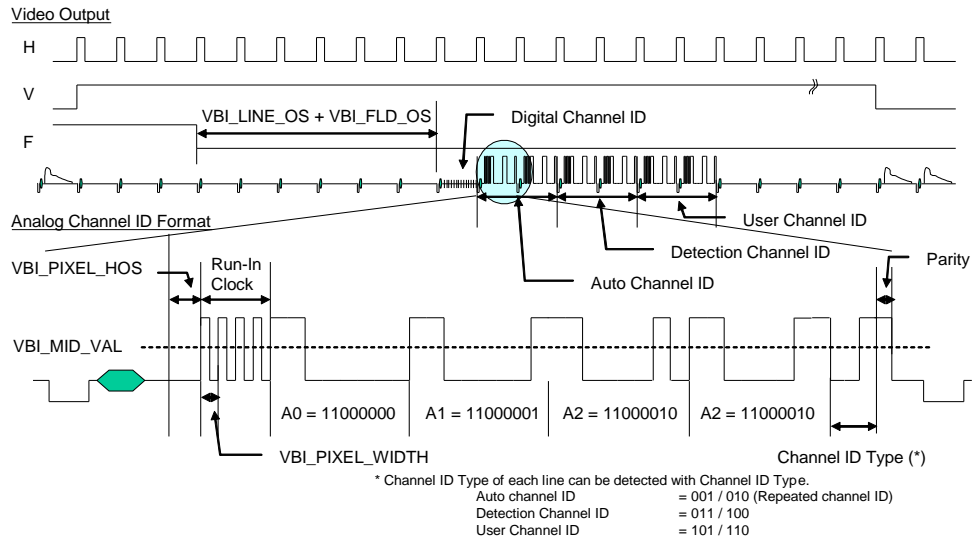


Fig 10 The related register for manual channel ID detection

Cropping and Scaling Function

The TW2835 provides two methods to reduce the amount of video pixel data, scaling and cropping. The scaling function provides video image at lower resolution while the cropping function supplies only a portion of the video image. The TW2835 also supports an auto cropping function for playback input with channel ID decoding. The TW2835 has a free scaler for a variable image size in display path, but has a limitation of image size in record path such as Full / QUAD / CIF format.

Cropping Function for Live

The cropping function allows only subsection of a video image to be output. The active video region is determined by the HDELAY, HACTIVE, VDELAY and VACTIVE (0x02 ~ 0x06, 0x12 ~ 0x16, 0x22 ~ 0x26, 0x32 ~ 0x36) register. The first active line is defined by the VDELAY register and the first active pixel is defined by the HDELAY register. The VACTIVE register can be programmed to define the number of active lines in a video field, and the HACTIVE register can be programmed to define the number of active pixels in a video line. This function is used to implement for panning and tilt.

The horizontal delay register HDELAY determines the number of pixel delays between the horizontal reference and the leading edge of the active region. The horizontal active register HACTIVE determines the number of active pixels to be processed. Note that these values are referenced to the pixel number before scaling. Therefore, even if the scaling ratio is changed, the active video region used for scaling remains unchanged as set by the HDELAY and HACTIVE register. In order for the cropping to work properly, the following equation should be satisfied.

$$\text{HDELAY} + \text{HACTIVE} < \text{Total number of pixels per line}$$

Where the total number of pixels per line is 858 for NTSC and 864 for PAL

To process full size region, the HDELAY should be set to 32 and HACTIVE set to 720 for both NTSC and PAL system.

The vertical delay register (VDELAY) determines the number of line delays from the vertical reference to the start of the active video lines. The vertical active register (VACTIVE) determines the number of lines to be processed. These values are referenced to the incoming scan lines before the vertical scaling. In order for the vertical cropping to work properly, the following equation should be satisfied.

$$\text{VDELAY} + \text{VACTIVE} < \text{Total number of lines per field}$$

Where the total number of lines per field is 262 for NTSC and 312 for PAL

To process full size region, the VDELAY should be set to 6 and VACTIVE set to 240 for NTSC and the VDELAY should be also set to 5 and VACTIVE set to 288 for PAL.

Scaling Function for Live

The TW2835 includes a high quality free horizontal and vertical down scaler for display path. But the TW2835 cannot use a free scaler function in record path because channel size definition for record path has a limitation such as Full / QUAD / CIF (Please refer to "Record Path Control" section, page 64).

The video images can be downscaled in both horizontal and vertical direction to an arbitrary size. The luminance horizontal scaler includes an anti-aliasing filter to reduce image artifacts in the resized image via the HSFLT (0x80/90/A0/B0, 0x85/95/A5/B5 and 0x8A/9A/AA/BA) register and a 32 poly-phase filter to accurately interpolate the value of a pixel. This results in more aesthetically pleasing video as well as higher compression ratio in bandwidth-limited application.

The following Fig 11 shows the frequency response of anti-aliasing filter for horizontal scaling.

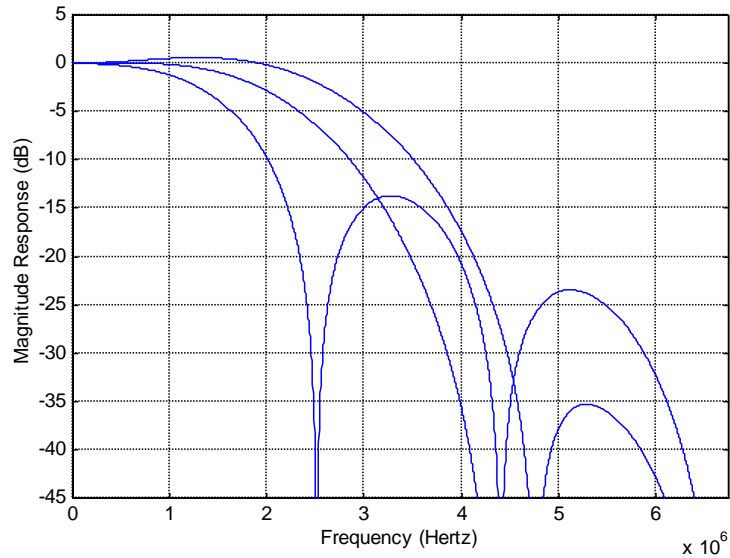


Fig 11 The frequency response of anti-aliasing filter for horizontal scaling

Similarly, the vertical scaler also contains an anti-aliasing filter controlled via the VSFLT (0x80/90/A0/B0, 0x85/95/A5/B5 and 0x8A/9A/AA/BA) register and 16 poly-phase filters for down scaling. The filter characteristics are shown in the Fig 12.

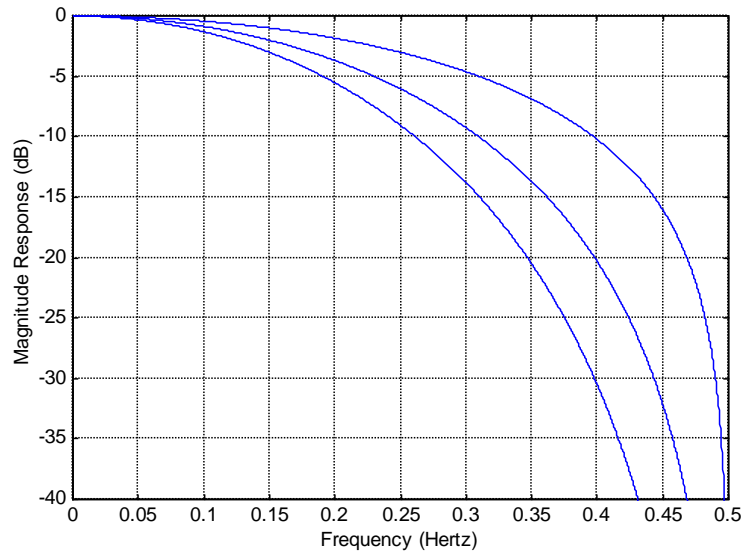


Fig 12 The characteristics of anti-aliasing filter for vertical scaling

Down scaling is achieved by programming the scaling register HSCALE and VSCALE (0x81 ~ 0x84, 0x91 ~ 0x94, 0xA1 ~ 0xA4, 0xB1 ~ 0xB4) register. When no scaled video image, the TW2835 will output the number of pixels as specified by the HACTIVE and VACTIVE (0x02 ~ 0x06, 0x12 ~ 0x16, 0x22 ~ 0x26, 0x32 ~ 0x36) register. If the number of output pixels required is smaller than the number specified by the HACTIVE/VACTIVE register, the 16bit HSCALE/VSCALE register is used to reduce the output pixels to the desired number.

The following equation is used to determine the horizontal scaling ratio to be written into the 16bit HSCALE register.

$$\text{HSCALE} = [\text{N}_{\text{pixel_desired}} / \text{HACTIVE}] * (2^{16} - 1)$$

Where $\text{N}_{\text{pixel_desired}}$ is the desired number of active pixels per line

For example, to scale picture from full size (HACTIVE = 720) to CIF (360 pixels), the HSCALE value can be found as:

$$\text{HSCALE} = [360/720] * (2^{16} - 1) = 0x7FFF$$

The following equation is used to determine the vertical scaling ratio to be written into the 16bit VSCALE register.

$$\text{VSCALE} = [\text{N}_{\text{line_desired}} / \text{VACTIVE}] * (2^{16} - 1)$$

Where $\text{N}_{\text{line_desired}}$ is the desired number of active lines per field

For example, to scale picture from full size (VACTIVE = 240 lines for NTSC and 288 lines for PAL) to CIF (120 lines for NTSC and 144 lines for PAL), the VSCALE value can be found as:

$$\text{VSCALE} = [120 / 240] * (2^{16} - 1) = 0x7FFF \text{ for NTSC}$$

$$\text{VSCALE} = [144 / 288] * (2^{16} - 1) = 0x7FFF \text{ for PAL}$$

The scaling ratios of popular case are listed in Table 3.

Table 3 HSCALE and VSCALE value for popular video formats

| Scaling Ratio | Format | Output Resolution | HSCALE | VSCALE |
|---------------|--------|-------------------|--------|--------|
| 1 | NTSC | 720x480 | 0xFFFF | 0xFFFF |
| | PAL | 720x576 | 0xFFFF | 0xFFFF |
| 1/2 (CIF) | NTSC | 360x240 | 0x7FFF | 0x7FFF |
| | PAL | 360x288 | 0x7FFF | 0x7FFF |
| 1/4 (QCIF) | NTSC | 180x120 | 0x3FFF | 0x3FFF |
| | PAL | 180x144 | 0x3FFF | 0x3FFF |

The effect of scaling and cropping is shown in Fig 13.

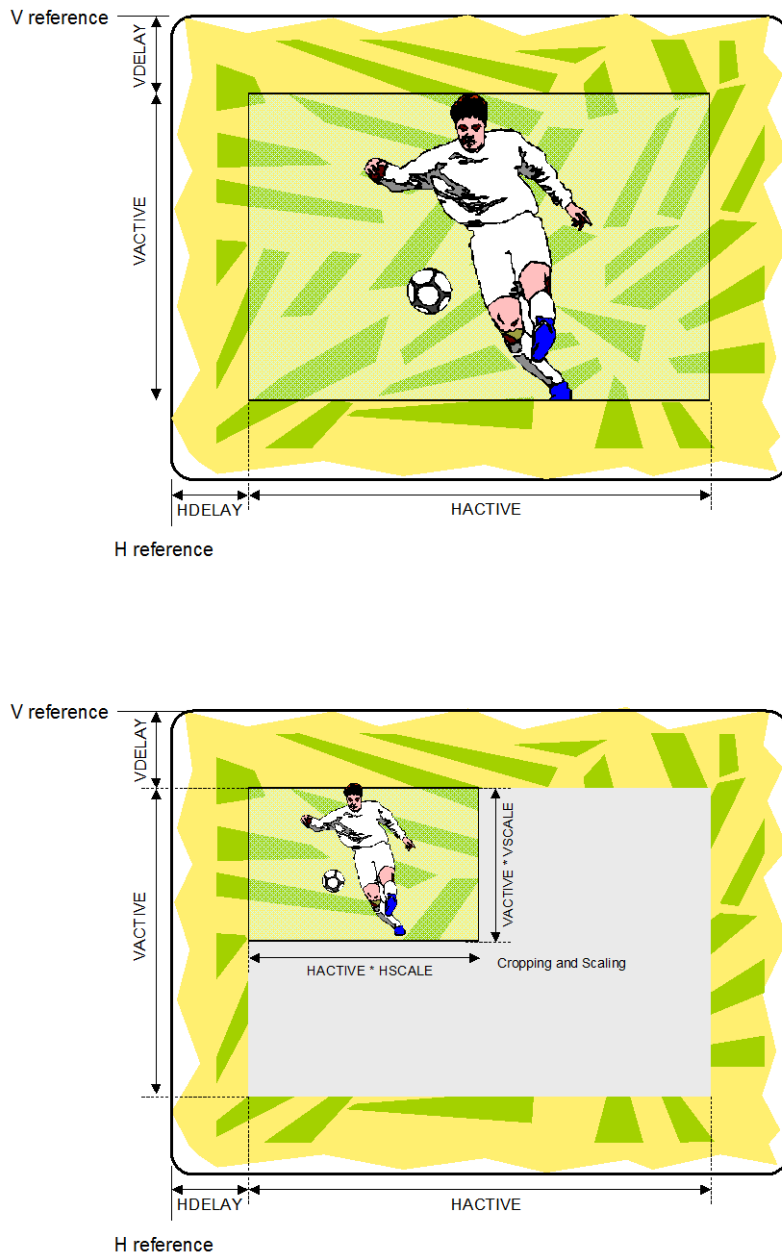


Fig 13 The effect of cropping and scaling

Cropping and Scaling Function for Playback

The TW2835 supports an auto cropping function with channel ID decoding for playback input. Each channel with the multiplexed playback input can be mapped into the desired position with the auto cropping function.

If the PB_AUTO_EN (1x16) = "0", the TW2835 is set to a manual cropping mode so that user can control cropping with VDELAY_PB and HDELAY_PB (0x8B~0x8F, 0x9B~9F, 0xAB~AF and 0xBB~BF) register. If the PB_AUTO_EN = "1", the TW2835 is set into an auto cropping mode. In this mode, the desired channel can be chosen by PB_CH_NUM register (1x16, 1x1E, 1x26, 1x2E) and it will be cropped automatically to horizontal and vertical direction in playback input. The TW2835 has several related registers for this mode such as PB_CROP_MD, PB_ACT_MD and MAN_PBCROP (0xC0). The PB_CROP_MD defines the record mode of the playback input such as normal record mode or DVR record mode (Please refer to "Record Path Control" section, page 64). The PB_ACT_MD defines an active pixel size of horizontal direction such as 720 / 704 / 640 pixels. The MAN_PBCROP controls the horizontal and vertical starting offset in the auto cropping mode with HDELAY_PB and VDELAY_PB registers. It is useful in case that the encoded channel ID is located at vertical active area in ITU-R BT.656 data stream.

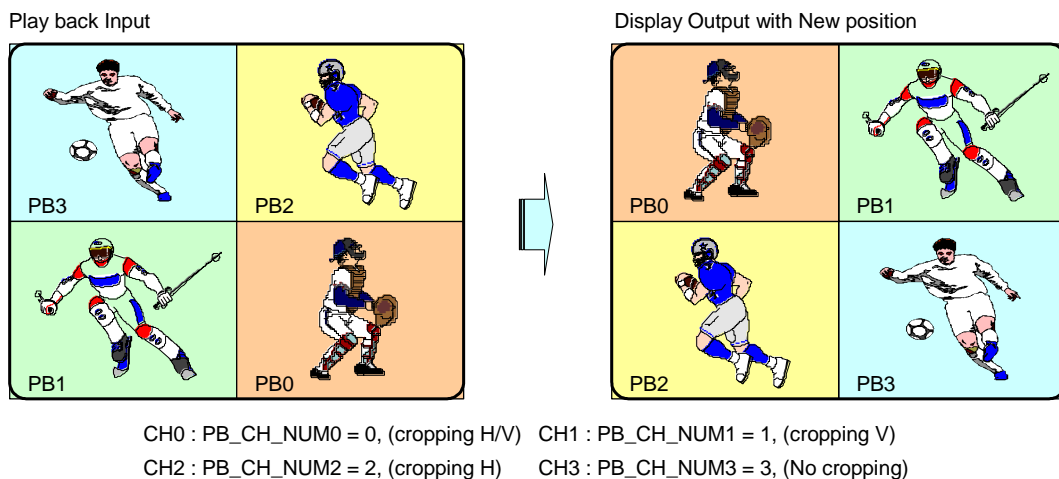


Fig 14 The effect of auto cropping function

The TW2835 includes four additional free down scaler for playback path so that the video image from playback input can be downscaled to an arbitrary size in both horizontal and vertical direction. Therefore, using this cropping and scaling function, the TW2835 supports free size and positioning function for both live and playback input in display path. The following Fig 15 shows the effect of scaling and cropping operation in playback.

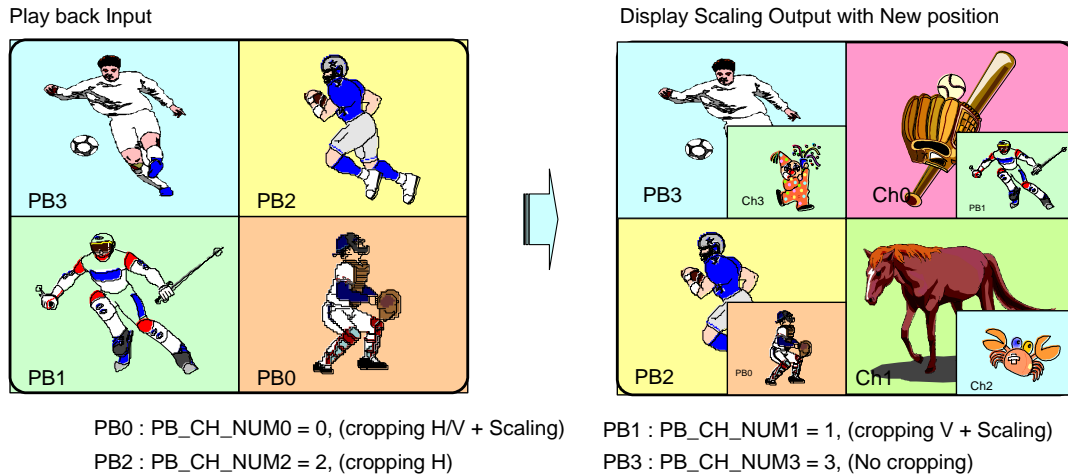


Fig 15 The effect of scaling function in playback

Motion Detection

The TW2835 supports motion detector individually for 4 analog video inputs. The built-in motion detection algorithm uses the difference of luminance level between current and reference field. The TW2835 also supports blind and night input detection for 4 analog video inputs.

To detect motion properly according to situation, the TW2835 provides several sensitivity and velocity control parameters for each motion detector. The TW2835 supports manual strobe function to update motion detection so that it is more appropriate for user-defined motion sensitivity control.

When motion, blind and night input are detected in any video inputs, the TW2835 provides the interrupt request to host via the IRQ pin. The host processor can take the information of motion, blind or night detection by accessing the IRQENA_MD (1x79), IRQENA_BD (1x7A) and the IRQENA_ND (1x7B) register. This status information is updated in the vertical blank period of each input.

The TW2835 also provides the motion, blind and night detection result through the DLINKI and MPP0/1 pin with the control of MPP_MD (1xB0) and MPP_SET (1xB1, 1xB3 and 1xB5) register. The TW2835 supports an overlay function to display the motion detection result in the picture with 2D arrayed box.

Mask and Detection Region Selection

The motion detection algorithm utilizes the full screen video data and detects individual motion of 16x12 cells. This full screen for motion detection consists of 704 pixels and 240 lines for NTSC and 288 lines for PAL. Starting pixel in horizontal direction can be shifted from 0 to 15 pixels using the MD_ALIGN (2x82, 2xA2, 2xC2, and 2xE2) register.

Each cell can be masked via the MD_MASK (2x86 ~ 2x9D, 2xA6 ~ 2xBD, 2xC6 ~ 2xDD, 2xE6 ~ 2xFD) register as illustrated in Fig 16. If the mask bit in specific cell is programmed to high, the related cell is ignored for motion detection.

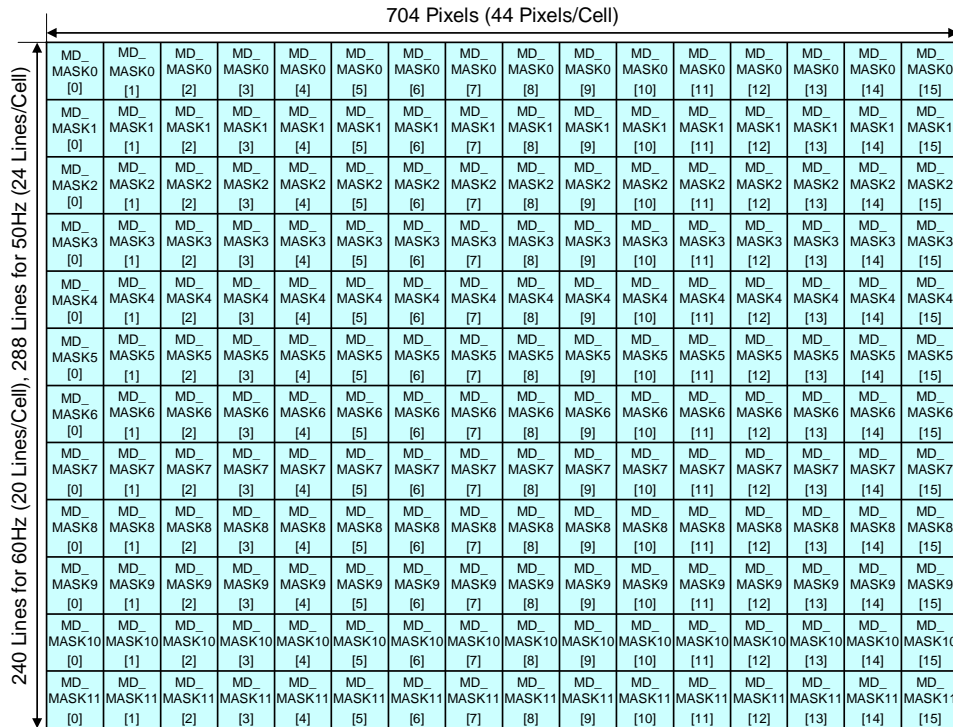


Fig 16 Motion mask and detection cell

The MD_MASK register has different function for reading and writing mode. For writing mode, setting “1” to MD_MASK register inhibits the specific cell from detecting motion. For reading mode, the MD_MASK register has three kinds of information depending on the MASK_MODE (2x82, 2xA2, 2xC2, and 2xE2) register. For MASK_MODE = “0”, the state of MD_MASK register means the result of VIN_A motion detection that “1” indicates detecting motion and “0” denotes no motion detection in the cell. For MASK_MODE = “1”, the state of MD_MASK register means the result of VIN_B motion detection. For MASK_MODE = “2 or 3”, the state of MD_MASK register means masking information of cell.

Sensitivity Control

The motion detector has 4 sensitivity parameters to control threshold of motion detection such as the level sensitivity via the MD_LVSENS (2x83, 2xA3, 2xC3, and 2xE3) register, the spatial sensitivity via the MD_SPSSENS (2x85, 2xA5, 2xC5, 2xE5) and MD_CELSENS (2x83, 2xA3, 2xC3, and 2xE3) register, and the temporal sensitivity parameter via the MD_TMPSENS (2x85, 2xA5, 2xC5, and 2xE5) register.

Level Sensitivity

In built-in motion detection algorithm, the motion is detected when luminance level difference between current and reference field is greater than MD_LVSENS value. Motion detector is more sensitive for the smaller MD_LVSENS value and less sensitive for the larger. When the MD_LVSENS is too small, the motion detector may be weak in noise.

Spatial Sensitivity

The TW2835 uses 192 (16x12) detection cells in full screen for motion detection. Each detection cell is composed of 44 pixels and 20 lines for NTSC and 24 lines for PAL. Motion detection from only luminance level difference between two fields is very weak in spatial random noise. To remove the fake motion detection from the random noise, the TW2835 supports a spatial filter via the MD_SPSSENS register which defines the number of detected cell to decide motion detection in full size image. The large MD_SPSSENS value increases the immunity of spatial random noise.

Each detection cell has 4 sub-cells also. Actually motion detection of each cell comes from comparison of sub-cells in it. The MD_CELSENS defines the number of detected sub-cell to decide motion detection in cell. That is, the large MD_CELSENS value increases the immunity of spatial random noise in detection cell.

Temporal Sensitivity

Similarly, temporal filter is used to remove the fake motion detection from the temporal random noise. The MD_TMPSENS regulates the number of taps in the temporal filter to control the temporal sensitivity so that the large MD_TMPSENS value increases the immunity of temporal random noise.

Velocity Control

The motion has various velocities. That is, in a fast motion an object appears and disappears rapidly between the adjacent fields while in a slow motion it is to the contrary. As the built-in motion detection algorithm uses the only luminance level difference between two adjacent fields, a slow motion is inferior in detection rate to a fast motion. To compensate this weakness, MD_SPEED (2x84, 2xA4, 2xC4, and 2xE4) parameter is used which is controllable up to 64 fields. MD_SPEED parameter adjusts the field interval in which the luminance level is compared. Thus, for detection of a fast motion a small value is needed and for a slow motion a large value is required. The parameter MD_SPEED value should be greater than MD_TMPSSENS value.

Additionally, the TW2835 has 2 more parameters to control the selection of reference field. The MD_FLD (2x82, 2xA2, 2xC2, and 2xE2) register is a field selection parameter such as odd, even, any field or frame.

The MD_REFFLD (2x80, 2xA0, 2xC0, and 2xE0) register is provided to control the updating period of reference field. For MD_REFFLD = "0", the interval from current field to reference field is always same as the MD_SPEED. It means that the reference field is always updated every field. The Fig 17 shows the relationship between current and reference field for motion detection when the MD_REFFLD is "0".

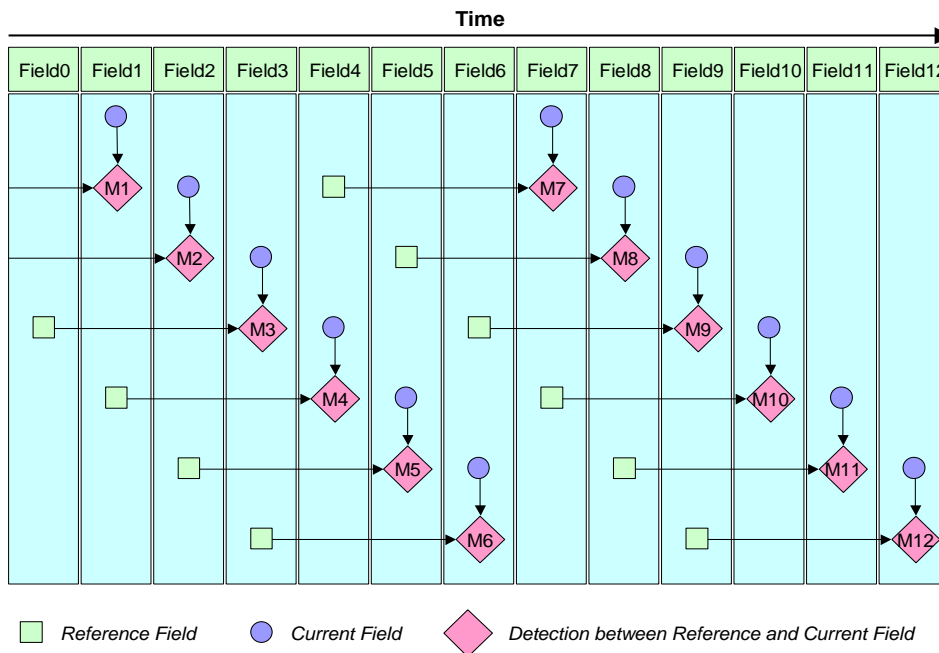


Fig 17 The relationship between current and reference field when MD_REFFLD = "0"

The TW2835 can update the reference field only at the period of MD_SPEED when the MD_REFFLD is high. For this case, the TW2835 can detect a motion with sense of a various velocity. The Fig 18 shows the relationship between current and reference field for motion detection when the MD_REFFLD = "1".

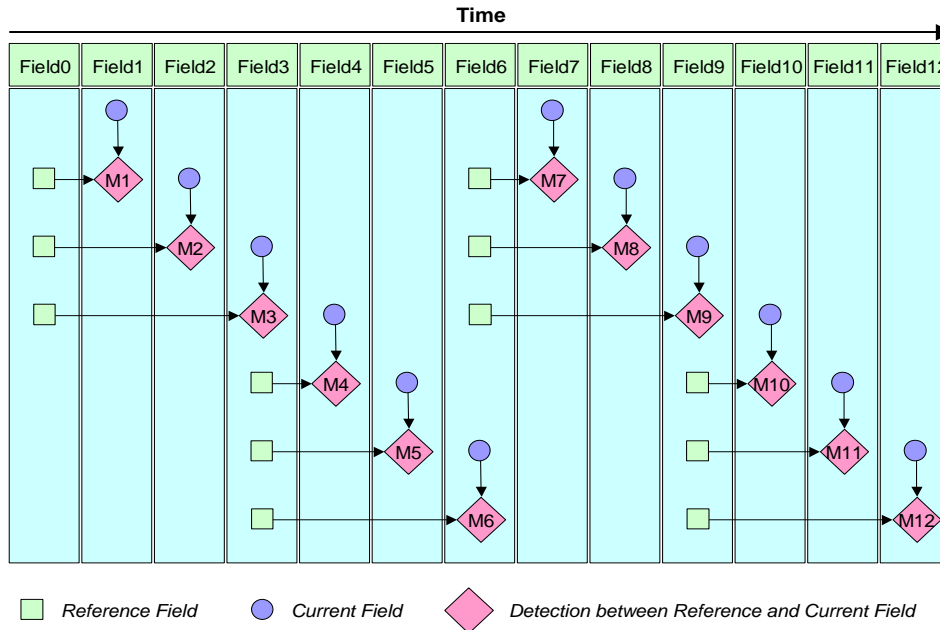


Fig 18 The relationship between current and reference field when MD_REFFLD = "1"

The TW2835 also supports the manual detection timing control of the reference field/frame via the MD_STRB_EN and MD_STRB (2x84, 2xA4, 2xC4, and 2xE4) register. For MD_STRB_EN = "0", the reference field/frame is automatically updated and reserved on every reference field/frame. For MD_STRB_EN = "1", the reference field/frame is updated and reserved only when MD_STRB = "1". In this mode, the interval between current and reference field/frame depends on user's strobe timing. This mode is very useful for a specific purpose like non-periodical velocity control and very slow motion detection.

The TW2835 also provides dual detection mode for non-realtime application such as pseudo-8ch application via MD_DUAL_EN (2x83, 2xA3, 2xC3, and 2xE3) register. For MD_DUAL_EN = 1, the TW2835 can detect dual motion independently for VIN_A and B Input which is defined by the ANA_SW (0x0D, 0x1D, 0x2D, and 0x3D) register. In this case, the MD_SPEED is limited to 31. These motion information can be read via the IRQENA_MD (1x79) register by the host interface.

Blind Detection

The TW2835 supports blind detection individually for 4 analog video inputs and makes an interrupt of blind detection to host. If video level in wide area of field is almost equal to average video level of field due to camera shaded by something, this input is defined as blind input.

The TW2835 has two sensitivity parameters to detect blind input such as the level sensitivity via the BD_LVSENS (2x80, 2xA0, 2xC0, and 2xE0) register and spatial sensitivity via the BD_CELSENS (2x80, 2xA0, 2xC0, and 2xE0) register.

The TW2835 uses total 768 (32x24) cells in full screen for blind detection. The BD_LVSENS parameter controls the threshold of level between cell and field average. The BD_CELSENS parameter defines the number of cells to detect blind. For BD_CELSENS = "0", the number of cell whose level is same as average of field should be over than 60% to detect blind, 70% for BD_CELSENS = "1", 80% for BD_CELSENS = "2", and 90% for BD_CELSENS = "3". That is, the large value of BD_LVSENS and BD_CELSENS makes blind detector less sensitive.

The TW2835 also supports dual detection mode for non-realtime application such as pseudo-8ch application via the MD_DUAL_EN (2x83, 2xA3, 2xC3, and 2xE3) register. The host can read blind detection information for both VIN_A and VIN_B input via the IRQENA_BD (1x7A) register.

Night Detection

The TW2835 supports night detection individually for 4 analog video inputs and makes an interrupt of night detection to host. If an average of field video level is very low, this input is defined as night input. Likewise, the opposite is defined as day input.

The TW2835 has two sensitivity parameters to detect night input such as the level sensitivity via the ND_LVSENS (2x81, 2xA1, 2xC1, and 2xE1) register and the temporal sensitivity via the ND_TMPSENS (2x81, 2xA1, 2xC1, and 2xE1) register. The ND_LVSENS parameter controls threshold level of day and night. The ND_TMPSENS parameter regulates the number of taps in the temporal low pass filter to control the temporal sensitivity. The large value of ND_LVSENS and ND_TMPSENS makes night detector less sensitive.

The TW2835 also supports dual detection mode for non-realtime application such as pseudo-8ch application via the MD_DUAL_EN (2x83, 2xA3, 2xC3, and 2xE3) register. The host can read night detection information for both VIN_A and VIN_B input via the IRQENA_ND (1x7B) register.

Video Control

The TW2835 has dual video controllers for display and record path. The TW2835 requires only external 64M SDRAM @ 32bit interface for proper operation. The TW2835 supports 8 channel display mode for display path and 4 channel for record path. The block diagram of video controller is shown in the following Fig 19.

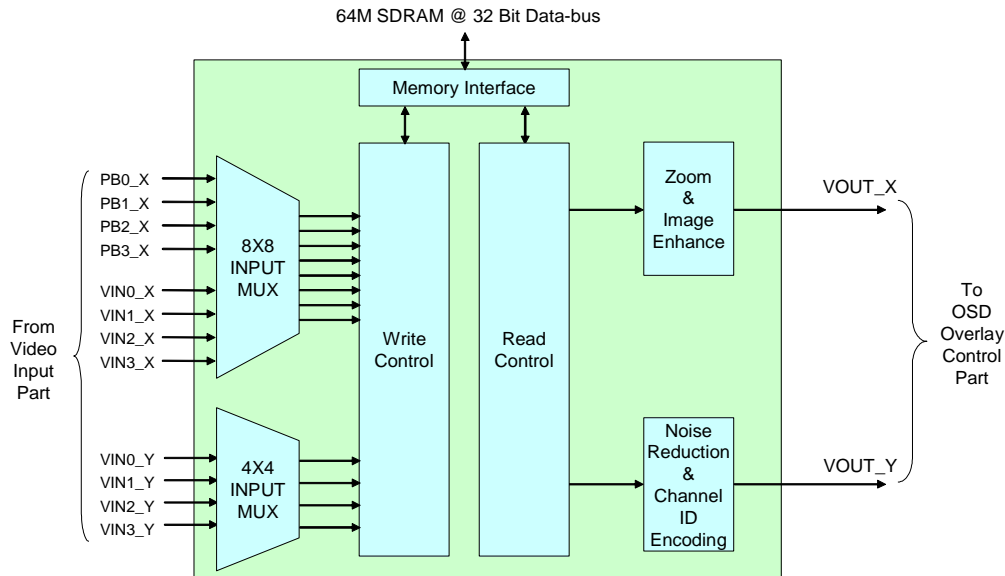


Fig 19 Block diagram of video controller

The TW2835 supports channel blanking, boundary on/off, blink, horizontal/vertical mirroring, and freeze function for each channel. The TW2835 can capture last 4 images automatically for each channel when video loss is detected.

The TW2835 has three operating modes such as live, strobe and switch mode. Each channel can be operated in its individual operating mode. That is, the TW2835 can be operated in multi-operating mode if each channel has different operating mode. Live mode is used to display real time video as QUAD or full live display, strobe mode is used to display non-realtime video with strobe signal from host and switch mode is used to display time-multiplexed video from several channels. For switch mode, the TW2835 supports two different types such as switch live and switch still mode.

The TW2835 also provides four record picture modes such as normal record mode and frame record mode and DVR normal record mode and DVR frame record mode. For record path, channel size and position have a limitation to half or full size in the horizontal and vertical direction.

For display path, the TW2835 can save and recall video through external extended SDRAM and support image enhancement function for non-realtime video such as freezing or playback video and provide high performance 2X zoom function. For record path, the TW2835 supports a noise

reduction filter to reduce the compression data size and channel ID encoding that contains all current picture configurations.

The TW2835 also provides chip-to-chip cascade connection for 8 or 16 channel application.

Channel Input Selection

The channel for display path can select 1 input from 8 video inputs including 4 live video inputs and 4 playback inputs, but the channel for record path can choose 1 input from 4 live video inputs. The live video inputs can be selected via the DEC_PATH (0x80, 0x90, 0xA0, 0xB0 for display path, 1x60, 1x63, 1x66, 1x69 for record path) register and the playback inputs can be chosen via the PB_PATH_EN (1x10/13, 1x18/1B, 1x20/23, 1x28/2B) register. The Fig 20 shows the internal channel input selection.

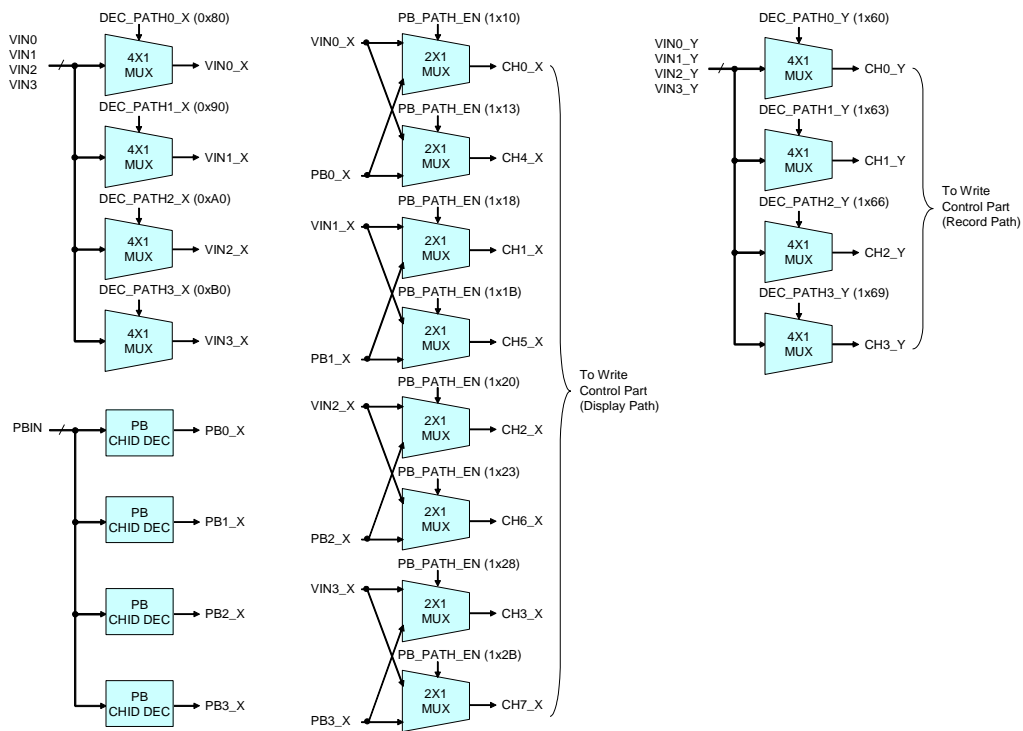


Fig 20 Channel input selection

Channel Operation Mode

Each channel can be working with three kinds of operating mode such as live, strobe and switch mode via the FUNC_MODE (1x10, 1x13, 1x18, 1x1B, 1x20, 1x23, 1x28, and 1x2B for display path, 1x60, 1x63, 1x66, and 1x69 for record path) register. The operation mode can be selected individually for each channel so that multi-operating mode can be implemented.

Live Mode

If FUNC_MODE is "0", channel is operated in live mode. For the live mode, the video display is updated with real time. This mode is used to display a live video such as QUAD, PIP, and POP.

When changing the picture configuration such as input path, popup priority, PIP, POP, and etc, the TW2835 supports anti-rolling sequence by monitoring channel update with the STRB_REQ register (1x01 for display path, 1x54 for record path) after changing to strobe operation mode (FUNC_MODE = "1"). The following Fig 21 shows the sequence to change picture configuration.

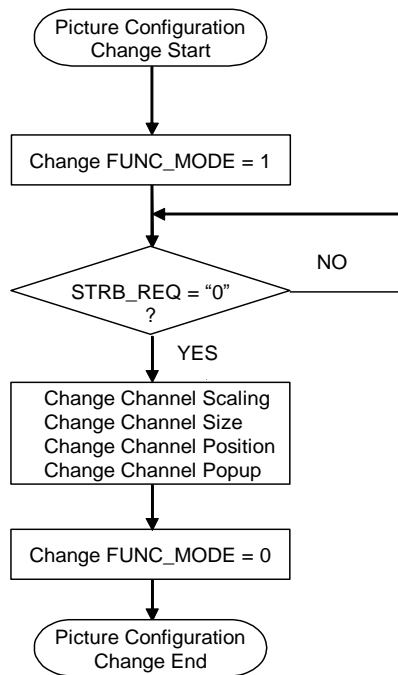


Fig 21 The sequence to change picture configuration

The status of STRB_REQ register can also be read through MPP1/2 pin with control of the MPPMD and MPPSET (1xB0, 1xB1, 1xB3, and 1xB5) register.

Strobe Mode

If FUNC_MODE is “1”, channel is operated in strobe mode. For strobe mode, video display is updated whenever the TW2835 receives strobe command from host like CPU or Micom. If host doesn't send a strobe command to the TW2835 anymore, the channel maintains the last strobe image until getting a new strobe command. This mode is useful to display non-realtime video input such as playback video with multiplexed signal input and to implement pseudo 8 channel application or dual page mode or panorama channel display. Specially, the TW2835 supports easy interface for pseudo 8channel application that will be covered in display path control section. The TW2835 also supports auto strobe function for auto playback display that will be covered later in auto strobe function section.

Strobe operation is performed independently for each channel via the STRB_REQ (1x04, 1x54) register. But the STRB_REQ register has a different mode for reading and writing. Writing “1” into STRB_REQ in each channel makes the TW2835 updated by each incoming video. The updating status after strobe command can be known by reading the STRB_REQ register. If reading value is “1”, updating is not completed after getting the strobe command. In that case, this channel cannot accept a new strobe command or a disabling strobe command from host. To send a new strobe command, host should wait until STRB_REQ state is “0”. For freeze or non-strobe channel, the TW2835 can ignore the strobe command even though host sends it. In this case, the STRB_REQ register is cleared to “0” automatically without any updating video. The status of STRB_REQ register can also be read through MPP1/2 pin with control of the MPPSET (1xB3) register.

When updating video with a strobe command, the TW2835 supports field or frame updating mode via the STRB_FLD (1x04, 1x54) register. Odd field of input video can be updated and displayed for STRB_FLD = “0”, even field for “1”. For “2” of STRB_FLD register, the TW2835 doesn't care for even or odd field, and updates video by next any field. If the STRB_FLD register is “3”, the strobe command updates video by frame. The following Fig 22 shows the example of strobe sequence for various STRB_FLD value.

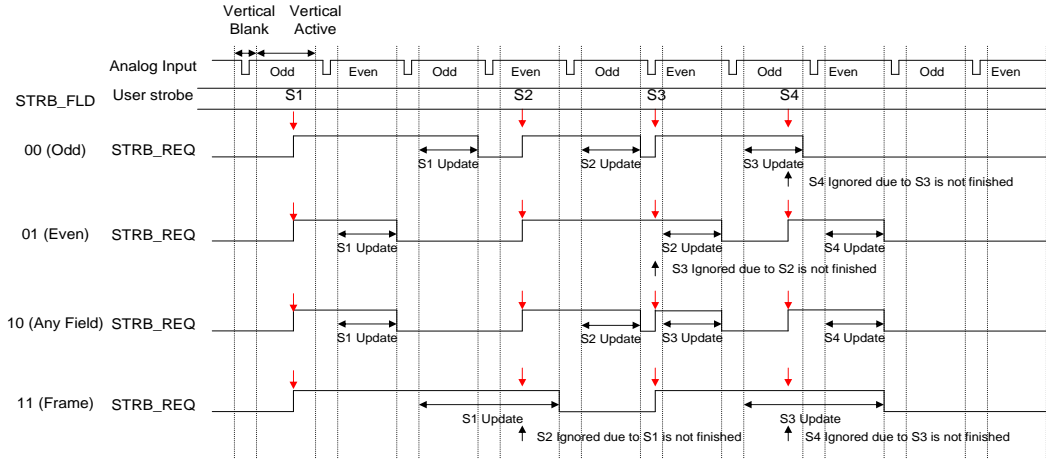


Fig 22 The example of strobe sequence for various STRB_FLD setting

The timing of strobe operation is related only with input video timing and strobe operation can be performed independently for each channel. So each channel is updated with different timing. The TW2835 provides a special feature as dual page mode using the DUAL_PAGE (1x01, 1x54) register. Although each channel is updated with different time, all channels can be displayed simultaneously in dual page mode. This means that the TW2835 waits until all channels are updated and then displays all channels with updated video at the same time. When dual page mode is enabled, host should send a strobe command for all channels and host should wait until all channels complete their strobe operations to send a new strobe command. The Fig 23 shows the example of 4 channel strobe sequences for dual page.

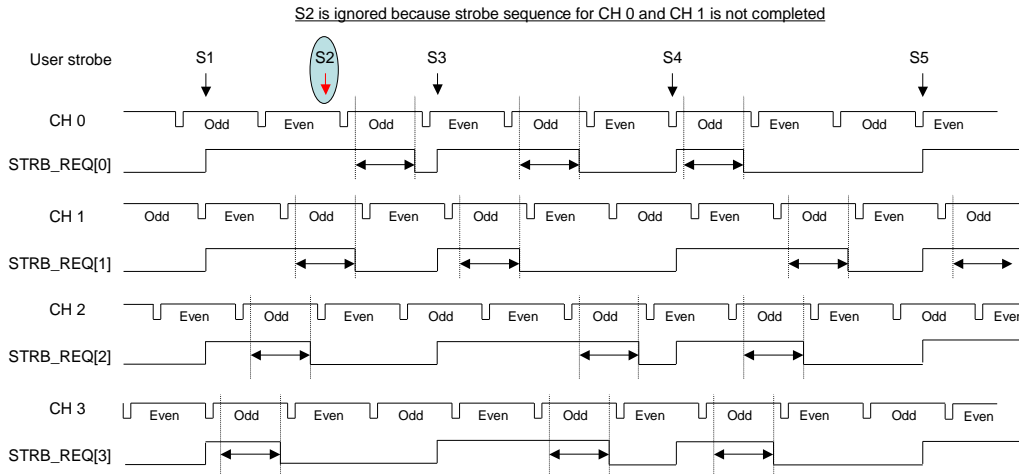


Fig 23 The example of 4 channel strobe sequences for dual page mode

Switch Mode

If FUNC_MODE is “2”, channel is operated in switch mode. The TW2835 supports 2 different switching types such as still switching and live switching mode via the MUX_MODE (1x06, 1x56) register. For still switching mode, the TW2835 maintains the switched channel video as still image until next switching request, but for live switching mode the TW2835 updates every field of switched channel until next switching request. The live switching mode is used for channel sequencer without any timing loss or disturbing. In switch mode, there is a constraint that the picture size of all switched channel should be same even though their size can be varied. The TW2835 can switch the channel by fields or frames that can be programmed up to 1 field or 1 frame rate. But if the channel is on freeze state, skip mode or disabled, the TW2835 ignores the request for switch mode.

Switch Trigger Mode

To operate the switching function properly, the channel switching should be requested with triggering that has three kinds of mode such as internal triggering from internal field counter, external triggering from external host or pin and interrupted triggering like alarm. The triggering mode can be selected by the TRIG_MODE (1x56) register. The TW2835 supports all triggering mode in record path, but provides only interrupt triggering mode in display path.

The TW2835 contains 128 depth internal queues that have channel sequence information with internal or external triggering. Actual queue size can be defined by the QUE_SIZE (1x57) register. The channel switching sequence in the internal queue is changed by setting “1” to QUE_WR (1x5A) register after defining the queue address with the QUE_ADDR (1x5A) register and the channel switching information with the MUX_WR_CH (1x59) register. The QUE_WR register will be cleared automatically after updating queue. The channel sequence information can be read via the CHID_MUX_OUT (1x0A for display path, 1x5E for record path) register. The following Fig 24 shows the structure of switching operation.

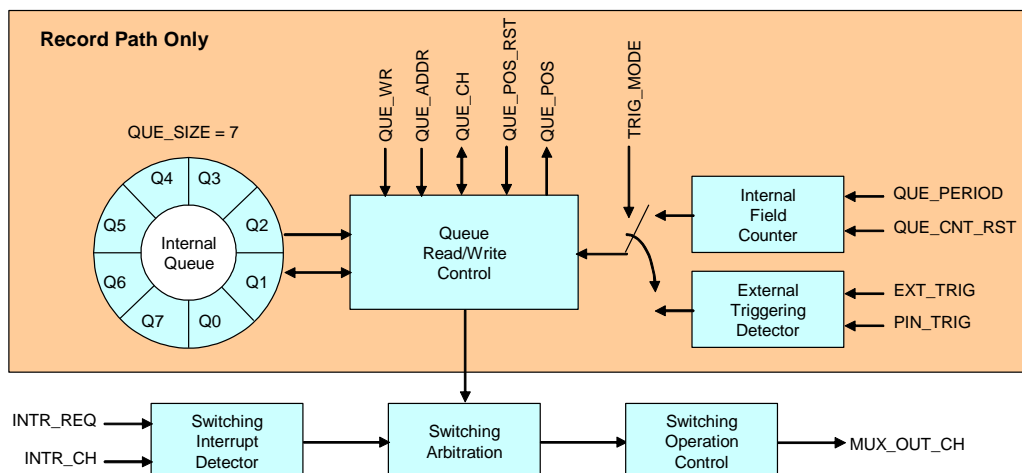


Fig 24 The structure of switching operation when QUE_SIZE = 7

For internal triggering mode, the switching period can be specified in the QUE_PERIOD (1x58) register that has 1 ~ 1024 field range. The internal field counter can be reset at anytime using the QUE_CNT_RST (1x5B) register and restarted automatically after reset. To reset an internal

queue position, set “1” to QUE_POS_RST (1x5B) register and then the queue position will be restarted after reset. Both QUE_CNT_RST and QUE_POS_RST register can be cleared automatically after set to “1”. The following Fig 25 shows an illustration of QUE_POS_RST and QUE_CNT_RST. The next queue position can be read via the QUE_ADDR (1x5A) register.

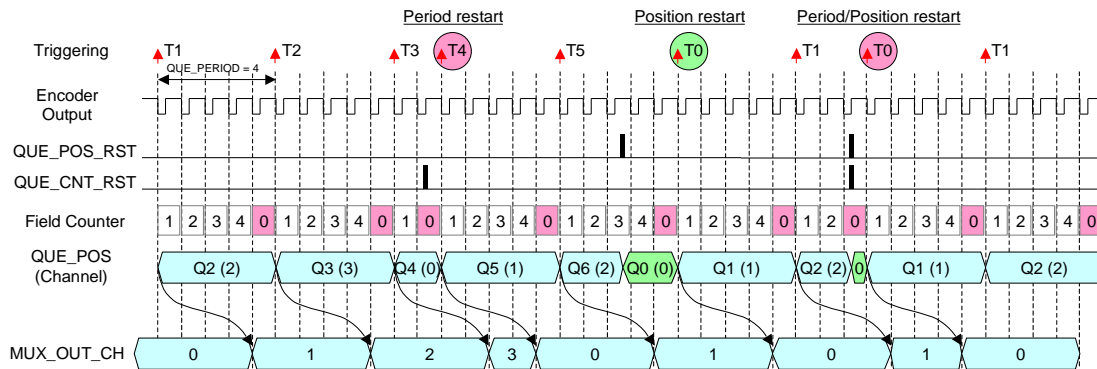


Fig 25 The illustration of QUE_POS_RST and QUE_CNT_RST

For external triggering mode, the request of channel switching comes from the EXT_TRIG (1x59) register or TRIGGER pin that is controlled by the PIN_TRIG_MD (1x56) register. Like internal triggering mode, writing “1” to the QUE_POS_RST register can reset the queue position in external triggering mode.

For interrupt triggering, host can request the channel switching at anytime via the INTR_REQ (1x07, 1x59) register. The switching channel is defined by the INTR_CH (1x07 for display path) or MUX_WR_CH (1x59 for record path) registers. Because the interrupted trigger has a priority over internal or external triggering in record path, the channel defined by the MUX_WR_CH can be inserted into the programmed channel sequence immediately.

Switching Sequence

The TW2835 also provides various switching types as odd field, even field or frame switching via the MUX_FLD (1x06, 1x56) register. For MUX_FLD = “0”, it is working as field switching mode with only odd field, but with only even field for MUX_FLD = “1”. For MUX_FLD = “2” or “3”, it is working as frame switching with both odd and even field.

Actually the channel switching is executed just before vertical sync of video output in field switching mode or before vertical sync of only odd field in frame switching mode. So all register for switching should be set before that time. Otherwise, the control values will be applied to the next field or frame. Likewise, the switching channel information is updated just before vertical sync of video output in field switching or before vertical sync of only odd field in frame switching mode.

Basically the switching sequence takes 4 field duration to display the switching channel from any triggering (field or frame). The host can read the current switching channel information through the MUX_OUT_CH (1x08, 1x6E) register. The TW2835 also supports external pin output for this channel information with DLINKI and MPP1/2 pin via the MPP_MD and

MPP_SET (1xB0, 1xB1, 1xB3, and 1xB5) register. The switching channel information can also be discriminated by the channel ID in the video stream. The following Fig 26 shows the illustration of channel switching with internal triggering.

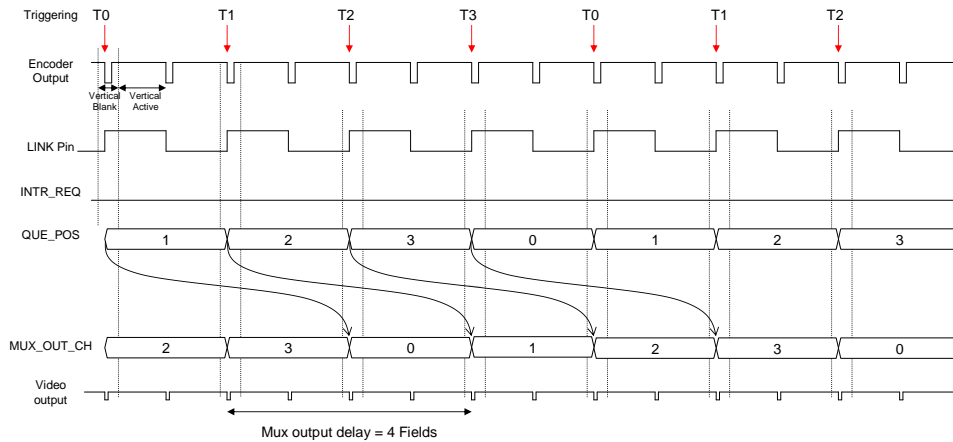


Fig 26 The illustration of switching sequence when QUE_SIZE = 3, QUE_PERIOD = 1

The following Fig 27 shows the illustration of channel switching with the combination of internal triggering and interrupted triggering mode.

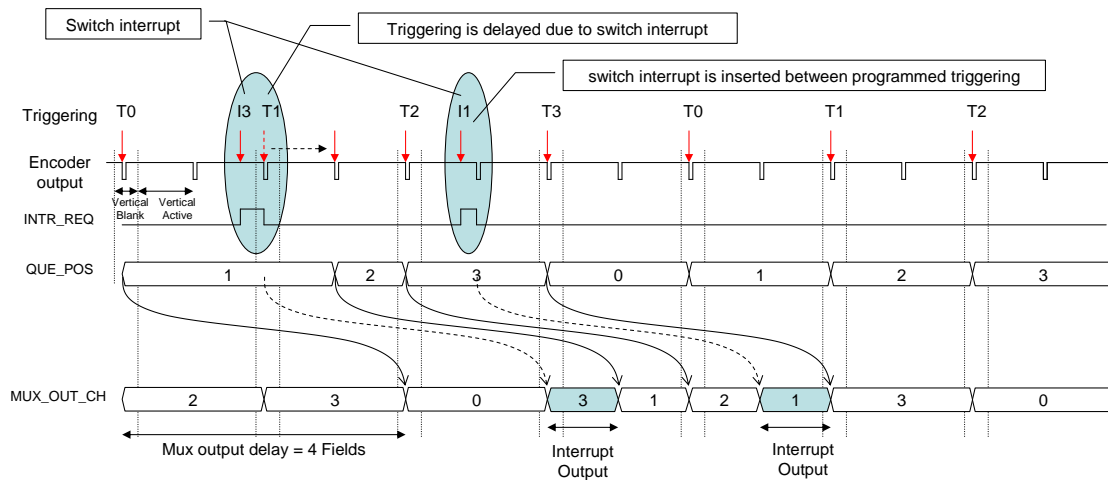


Fig 27 The interrupted switching sequence when QUE_SIZE = 3, QUE_PERIOD = 1

The TW2835 supports the skip function of the switching queue for switch mode in record path. In single chip application, the auto skip function of the switching queue can be supported if the MUX_SKIP_EN (1x5B) register is "1" and the NOVID_MODE is "1" or "3". But in the chip-to-chip cascaded application, the skip function should be forced with the MUX_SKIP_CH (1x5C, 1x5D) register because the switching queue for whole channels is located in the lowest slaver device but cannot get the no-video information from the other chips. The QUAD MUX function in chip-to-chip cascade application will be covered in the "Chip-to-Chip Cascade Operation (page 76)".

Channel Attribute

The TW2835 provides various channel attributes such as channel enabling, popup enabling, boundary selection, blank enabling, freeze, horizontal/vertical mirroring for both display and record path. As special feature, the TW2835 supports the last image capture function, save and recall function, image enhancement and playback input selection for display path. For last image capture mode, channel can be blanked or boundary can be blinked automatically on video loss state.

Background Control

Summation of all active channel regions can be called as active region and the rest region except active region is defined as background region. The TW2835 supports background overlay and the overlay color is controlled via the BGDCOL (1x0F, 1x5F) register.

Boundary Control

The TW2835 can overlay channel boundary on each channel region using the BOUND (1x11, 1x14, 1x19, 1x1C, 1x21, 1x24, 1x29, and 1x2C for display path, 1x61, 1x64, 1x67, and 1x6A for record path) register and it can be blinked via the BLINK (1x11, 1x14, 1x19, 1x1C, 1x21, 1x24, 1x29, and 1x2C for display path, 1x61, 1x64, 1x67, and 1x6A for record path) register when BOUND is high. The boundary color of channel can be selected through the BNDCOL (1x0F, 1x5F) register. The blink period can be also controlled through the TBLINK (1x01, 1x52) register.

Blank Control

Each channel can be blanked with specified color using the BLANK (1x11, 1x14, 1x19, 1x1C, 1x21, 1x24, 1x29, and 1x2C for display path, 1x61, 1x64, 1x67, and 1x6A for record path) register and the blank color can be specified via the BLKCOL (1x0F, 1x3F) register.

Freeze Control

Each channel can capture last 4 field images whenever freeze function is enabled and display 1 field image out of the captured 4 field images using the FRZ_FLD (1x0F, 1x3F) register. The freeze function can be enabled or disabled independently for each channel via the FREEZE (1x11, 1x14, 1x19, 1x1C, 1x21, 1x24, 1x29, and 1x2C for display path, 1x61, 1x64, 1x67, and 1x6A for record path) register. The TW2835 also supports frame freeze function via the FRZ_FRAME (1x01, 1x52) register, and 1 frame image out of the captured 2 frame images using the FRZ_FLD (1x0F, 1x3F) register.

Last Image Captured

When video loss has occurred or gone, the TW2835 provides 4 kinds of indication such as bypass of incoming video, channel blank, capture of last image, and capture of last image with blinking channel boundary depending on the NOVID_MODE (1x05, 1x55) register. This function is working automatically on video loss. The capturing last image is same as freeze function described above. User can select 1 field image out of captured 4 filed images via the FRZ_FLD (1x0F, 1x5F) register which is shared with freeze function. The TW2835 has frame freeze function via the FRZ_FRAME (1x01, 1x52) register, and 1 frame image out of the captured 2 frame images using the FRZ_FLD (1x0F, 1x3F) register.

Horizontal / Vertical Mirroring

The TW2835 supports image-mirroring function for horizontal and/or vertical direction. The horizontal mirroring is achieved via the H_MIRROR (1x11, 1x14, 1x19, 1x1C, 1x21, 1x24, 1x29, and 1x2C for display path, 1x61, 1x64, 1x67, and 1x6A for record path) register and the vertical mirroring is attained via the V_MIRROR (1x11, 1x14, 1x19, 1x1C, 1x21, 1x24, 1x29, and 1x2C for display path, 1x61, 1x64, 1x67, and 1x6A for record path) register. It is useful for a reflection image in the horizontal and vertical direction from dome camera or car-rear vision system.

Field to Frame Conversion

If the displayed channel size is half size of the video input in vertical direction, the video input can be separated into two (odd/even) fields according to the line numbers such as odd line for odd field and even line for even field. With this conversion, the vertical resolution of the video input can be enhanced compared with simple half vertical scaling, but the field rate is reduced to half. This mode can be enabled via the FIELD_OP (1x12, 1x15, 1x1A, 1x1D, 1x22, 1x25, 1x2A, and 1x2D for display path, 1x62, 1x65, 1x68 and 1x6B for record path) register.

Display Path Control

The TW2835 can save images in external memory and recall them to display. This function can be working in display path. The TW2835 also supports the special filter to enhance image quality in display path for non-realtime video display such as frozen image, recalled image from saved images or playback input with multiplexed video source. The TW2835 provides high performance 2X zoom function in the vertical and horizontal direction.

The TW2835 supports any kind of picture configuration for display path with arbitrary picture size, position and pop-up control. The TW2835 also provides 8 channel display function for full triplex application (Display + Record + Playback) and the pseudo 8ch display function for non-realtime application.

Save and Recall Function

The save/recall function can be working independently for each channel and the number of the saved images depends on the picture size and field type. The TW2835 can save image only in live channel so that it cannot be saved in frozen channel. If channel is working on strobe operating mode, this channel can be saved with new strobe command. For switch operating mode, the channel can be saved only on switching time because this channel can be updated at this moment. **But, the save function cannot be working simultaneously with 1 ~ 5 frame bitmap page mode because both regions are overlapped with each other.**

To save image, several parameters should be controlled that are the SAVE_FLD, SAVE_HID, SAVE_ADDR (1x02) and SAVE_REQ (1x03) registers. The SAVE_FLD determines field or frame type for image to be saved. Even though the channel to be saved is hidden by upper layer picture, it can be saved using the SAVE_HID register that makes no effect on current display. The saving function is requested by writing "1" to the SAVE_REQ register and this register will be cleared when saving is done. Before it is cleared, the TW2835 cannot accept new saving request. The SAVE_ADDR register defines address where an image will be saved. Because 4M bits is allocated for each 1 field image, SAVE_ADDR can have range with 4 ~ 11 because the first 0~ 3 and last 12 ~ 15 addresses are reserved for normal operation so that it cannot be used for saving function.

To recall the saved video image, several parameters are required such as RECALL_FLD (1x03), RECALL_EN (1x11, 1x14, 1x19, 1x1C, 1x21, 1x24, 1x29, 1x2C) and RECALL_ADDR (1x12, 1x15, 1x1A, 1x1D, 1x22, 1x25, 1x2A, 1x2D) registers. If the RECALL_EN is "1", the TW2835 recalls the saved image that is located at the RECALL_ADDR in external memory and displays it just like incoming video. The RECALL_FLD register determines 1 field or 1 frame mode to display.

The following Fig 28 illustrates the relationship between external SDRAM size and SAVE_ADDR / RECALL_ADDR.

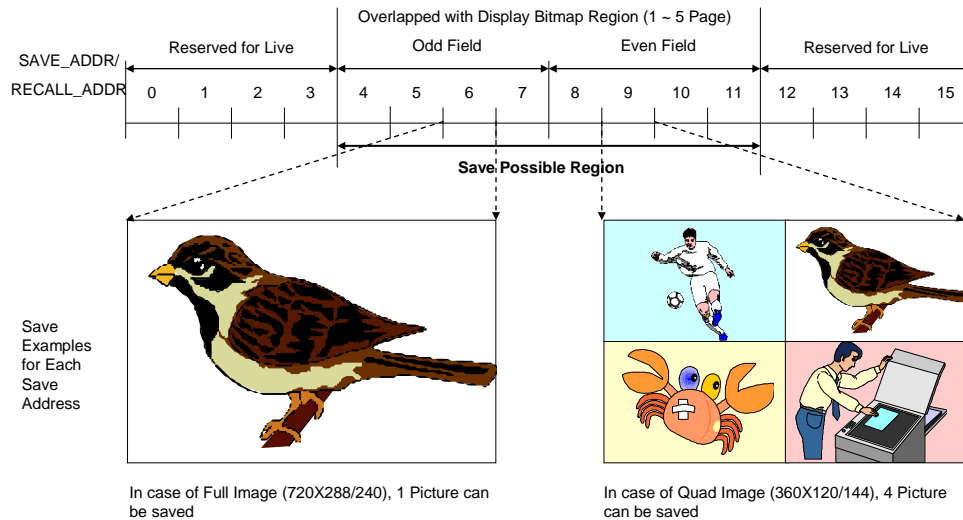


Fig 28 The relationship between SDRAM size and image Size

Image Enhancement

In non-realtime video such as frozen image, recalled image from saved images and playback input with multiplexed video source, the line flicker noise can be found in image because it displays same field image for both odd and even field. The embedded filter in the TW2835 can remove effectively this line flicker noise and be enabled via the ENHANCE (1x11, 1x14, 1x19, 1x1C, 1x21, 1x24, 1x29, 1x2C) register for each channel. This filter coefficient can be controlled via the FR_EVEN_OS and FR_ODD_OS (1x0B) register. The TW2835 also supports an automatic image enhancement mode via the AUTO_ENHANCE (1x05) register that is checking the channel operation mode such as recalling the saved or frozen image and then enabling the enhancement filter.

Zoom Function

The TW2835 supports high performance 2X zoom function in the vertical and horizontal direction for display path. The zoom function can be working in any operation mode such as live, strobe and switch mode. Conventional system also has zoom function, but it has a very poor quality due to line flicker noise even though interpolation filter is adapted. The TW2835 provides high quality zoom characteristics using a high performance interpolation filter and image enhancement technique. When zoom is executed, the image enhancement is operated automatically and the zoom filter coefficient can be controlled via the ZM_EVEN_OS and ZM_ODD_OS (1x0B) register.

The zoomed region will be defined with the ZOOMH (1x0D) and ZOOMV (1x0E) registers and can be displayed via the ZMBNDCOL, ZMBNDEN, ZMAREAEN, ZMAREA (1x0C) register. The zoom operation is enabled via the ZMENA (1x0C) register.

The TW2835 also supports only horizontal direction zoom via the H_ZM_MD (1x0C) register. This mode is useful to display full size from playback input with CIF format (360x240 @ NTSC, 360x288 @ PAL). In this mode, ZOOMV register is useless because vertical direction has no meaning in this mode.

Picture Size and Popup Control

Each channel region can be defined using its own PICHL (1x30, 1x34, 1x38, 1x3C, 1x40, 1x44, 1x48, and 1x4C), PICHR (1x31, 1x35, 1x39, 1x3D, 1x41, 1x45, 1x49, and 1x4D), PICVT (1x32, 1x36, 1x3A, 1x3E, 1x42, 1x46, 1x4A, and 1x4E), and PICVB (1x33, 1x37, 1x3B, 1x3F, 1x43, 1x47, 1x4B, and 1x4F) register. If more than 2 channels have same region, there will be a conflict of what to display for that area. Generally the TW2835 defines that the channel 0 has priority over channel 7. So if a conflict happens between more than 2 channels, the channel 0 will be displayed first as top layer and then channel 1 and 2 and 3 are hidden beneath.

The TW2835 also provides a channel pop-up attribute via the POP_UP (1x10, 1x13, 1x18, 1x1B, 1x20, 1x23, 1x28, and 1x2B) register to give priority for another display. If a channel has pop-up attribute, it will be displayed as top layer. This feature is used to configure PIP (Picture-In-Picture) or POP (Picture-Out-Picture). The following Fig 29 shows the channel definition and priority for display path.

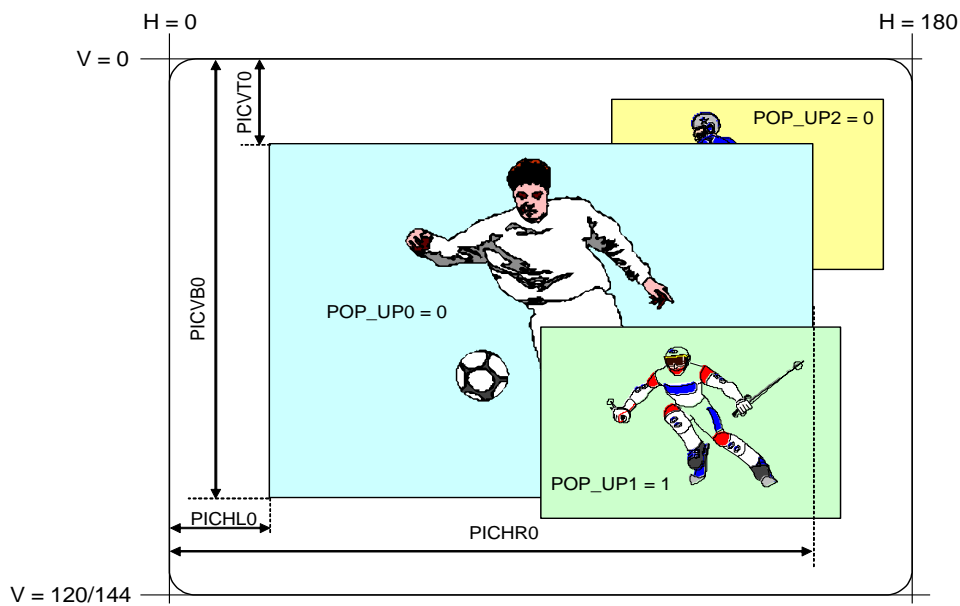


Fig 29 The channel position and priority in display path

Full Triplex Function

The TW2835 provides a full triplex function that implies to support four channel live, four channel playback display and four channel record output. The playback input is selected via the PB_PATH_EN (1x10, 1x13, 1x18, 1x1B, 1x20, 1x23, 1x28, and 1x2B) register for display path and the selected channel is updated automatically from the channel ID decoder via the PB_CH_NUM (1x16, 1x1E, 1x26, and 1x2E) register. The auto-cropping and auto-strobe mode is very useful to display the playback input with multiplexed or dual page video format. (A detailed description for playback path is referred to “Playback Path Control” Chapter, page 57)

The TW2835 also supports pseudo 8 channel display mode with any picture configuration for non-realtime application. The TW2835 has a respective strobe request bit for each channel (STRB_REQ, 1x03 register) so that the channel is updated easily by host after the analog switch is changed. The following Fig 30 shows an illustration of pseudo 8-channel system.

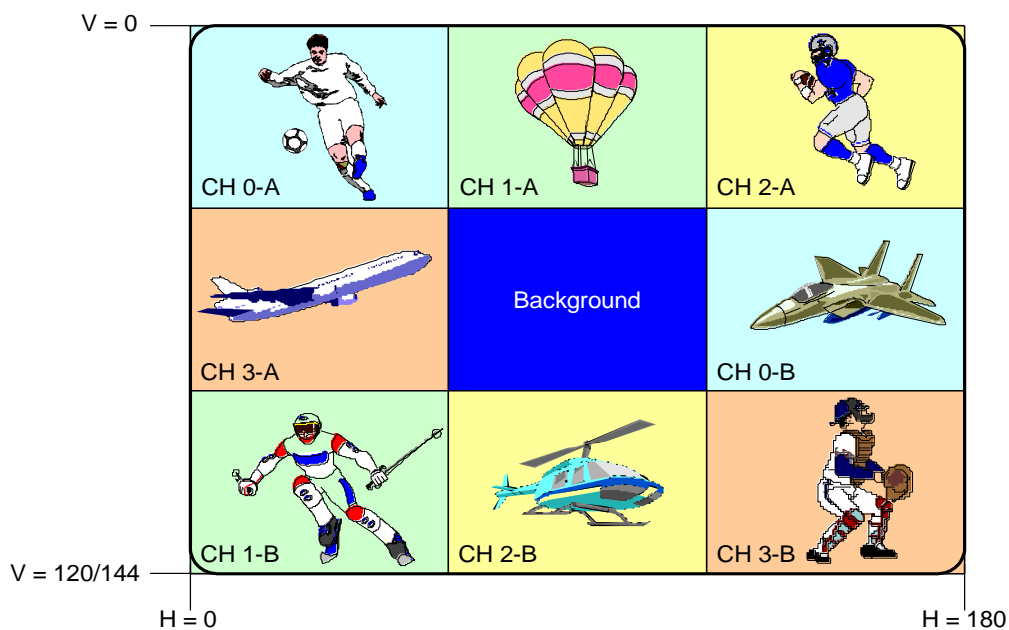


Fig 30 Pseudo 8 channel display operation

Playback Path Control

The TW2835 supports the playback function for variable record mode input such as normal record mode, frame record mode, DVR normal record mode, and DVR frame record mode. The TW2835 also provides auto cropping and auto strobe function for playback input through auto channel ID decoding. The auto strobe function implies that the selected channel is updated automatically from the playback input of the time-multiplexed full D1, CIF or Quad record format.

If the channel operation mode is live mode (FUNC_MODE = "0"), the playback input can be bypassed in display path, but the auto cropping function from the channel ID decoder is available to separate each channel from the multi-channel format such as QUAD (Auto cropping function is described in "Cropping Function" section, page 34). The displayed channel can be selected via the PB_CH_NUM (1x16, 1x1E, 1x26, and 1x2E) register.

If the channel operation mode is strobe mode (FUNC_MODE = "1"), the auto strobe function is used to update the channel automatically for the playback input of the time-multiplexed full D1, CIF or Quad record format through channel ID decoder. The auto strobe function is enabled by the PB_AUTO_EN (1x16) and PB_CH_NUM (1x16, 1x1E, 1x26, and 1x2E) register and can also be used for pseudo 8 channel display of playback input with the dual page mode or pseudo 8 channel MUX mode.

The TW2835 supports event strobe mode with event information in auto channel ID. It makes the channel updated whenever event information in auto channel ID is detected. The event strobe mode can be enabled via the EVENT_PB (1x16, 1x1E, 1x26, and 1x2E) register.

The TW2835 provides an anti-rolling function for the case of changing the picture configuration in playback application through the PB_STOP (1x16, 1x1E, 1x26, and 1x2E) register. If the PB_STOP is set to high in strobe operation mode (FUNC_MODE = "1"), the channel is not updated until the PB_STOP is set to low after picture configuration is changed.

To remove the image shaking from the playback input of frame switching mode, the TW2835 also supports frame to field conversion in auto strobe mode via the FLD_CONV (1x16, 1x1E, 1x26, and 1x2E) register. It makes the channel updated with only 1 field even though the playback input is made up of frame.

Normal Record Mode

The TW2835 provides various playback functions for normal record mode input. For playback input of live mode, the FUNC_MODE should be set to “0” and then it can be bypassed and displayed in live mode. For playback input of multiplexed record format, the FUNC_MODE should be set into “1” and then the auto strobe function is used for automatic display of the selected channel. . The following Fig 31 shows the examples of playback function for normal record mode using bypass, auto cropping, scaling, repositioning, and popup control.

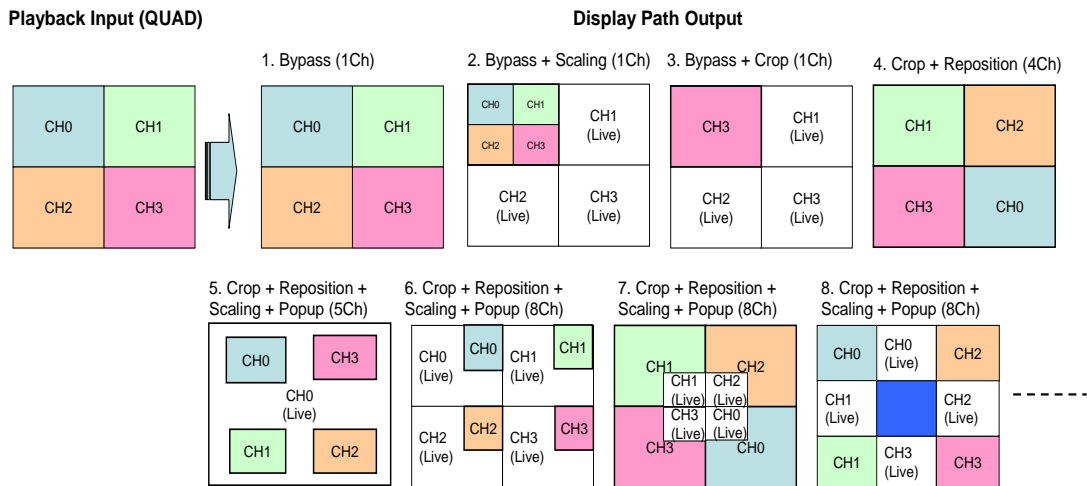


Fig 31 The examples of the playback function for normal record mode

The following Fig 32 shows the various display examples for various playback input format using auto strobe function.

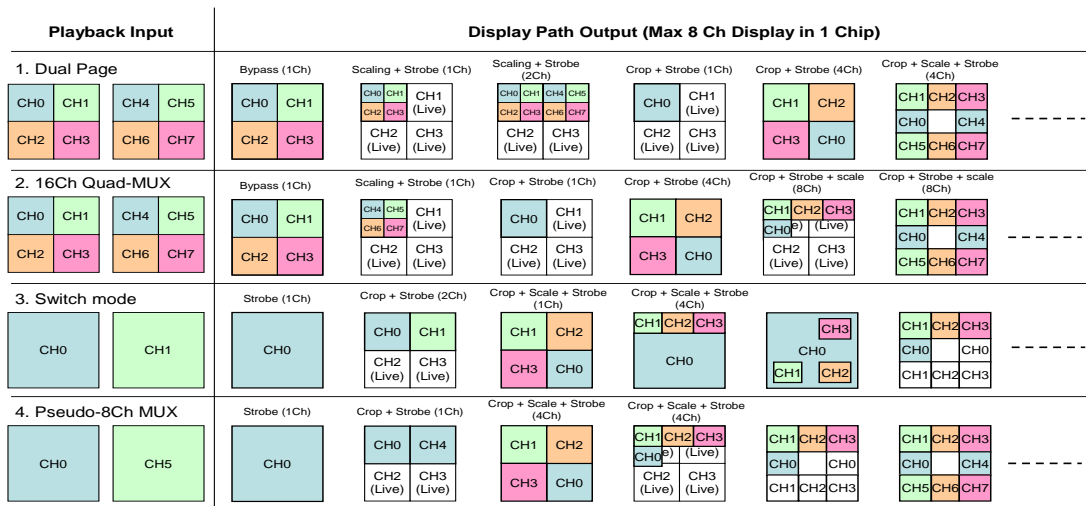


Fig 32 The example of auto strobe function for normal record mode

Frame Record Mode

The TW2835 supports the playback function for frame record mode input. The playback input of frame record mode is formed with 1 frame so that the vertical lines of each playback channel have twice as many as the normal record mode. So if the displayed channel size is half size of the playback input in vertical direction, the playback input can be separated into two (odd/even) fields according to the line numbers such as odd line for odd field and even line for even field. With this conversion, the vertical resolution of the playback input can be enhanced compared with simple half vertical scaling of the playback input. This mode can be enabled via the FIELD_OP (1x12, 1x15, 1x1A, 1x1D, 1x22, 1x25, 1x2A, and 1x2D) register.

The following Fig 33 shows the various display examples with auto cropping, auto strobe, and scaling function for playback input using frame record mode.

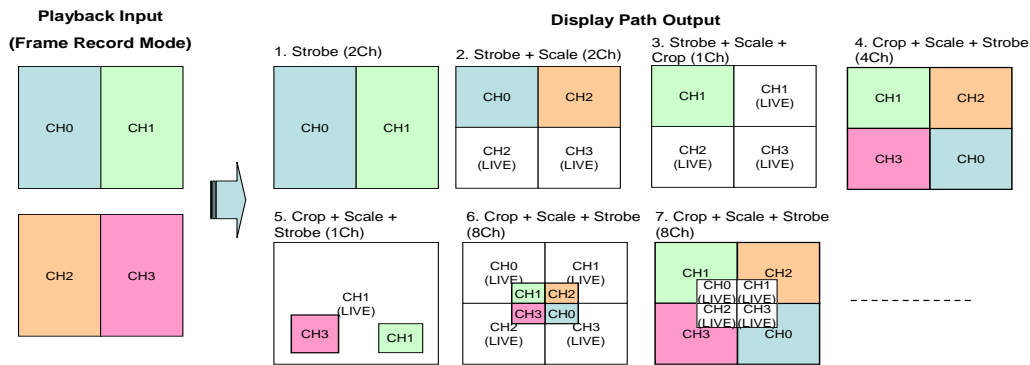


Fig 33 The examples of the playback function for frame record mode

The following Fig 34 shows the illustration of this conversion from frame record mode to normal application.

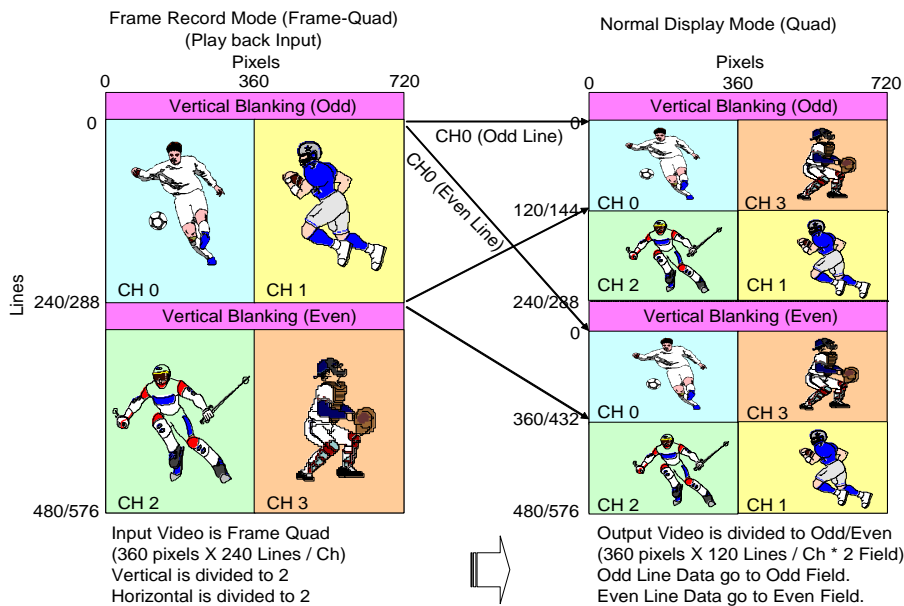


Fig 34 The conversion from frame record mode to normal display mode

The TW2835 also supports only horizontal zoom mode via the H_ZM_MD (1x0C) register. This mode is useful to display the playback input of frame record mode to full size image. The following Fig 35 shows the illustration of this conversion in playback application.

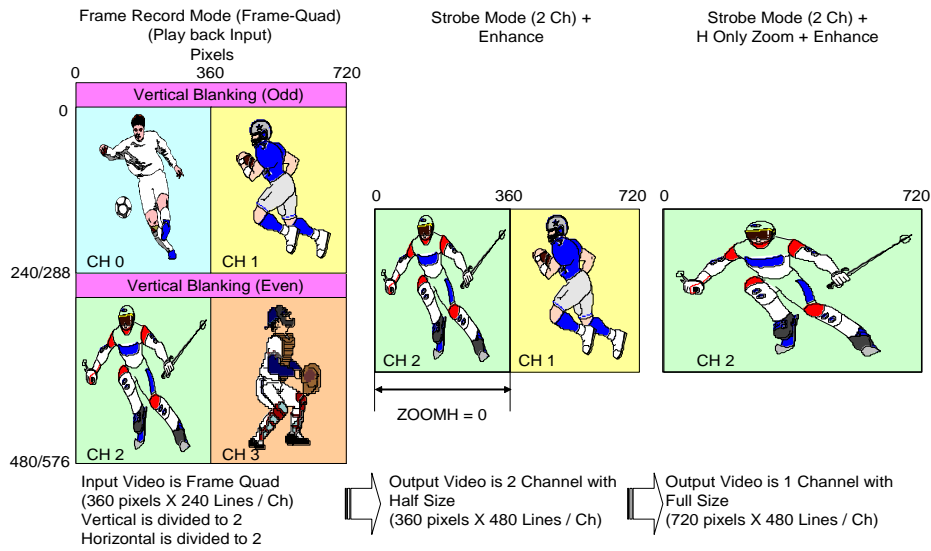


Fig 35 The conversion from frame record mode to full image

DVR Normal Record Mode

If the playback input is the DVR normal record mode, it cannot be displayed directly because it is special mode not for display but for record to compression part. The TW2835 supports the conversion from this DVR normal record mode to normal display mode via the DVR_IN (1x12, 1x15, 1x1A, 1x1D, 1x22, 1x25, 1x2A, and 1x2D) register. For auto cropping function of the playback with this mode, the PB_CROP_MD (0x38) register should be set into "1" to crop the 1/4 vertical picture size (Please refer to "Cropping and Scaling Function for Playback" section in Page 34).

The following Fig 36 shows the illustration of conversion from DVR normal record mode to normal display mode in playback application.

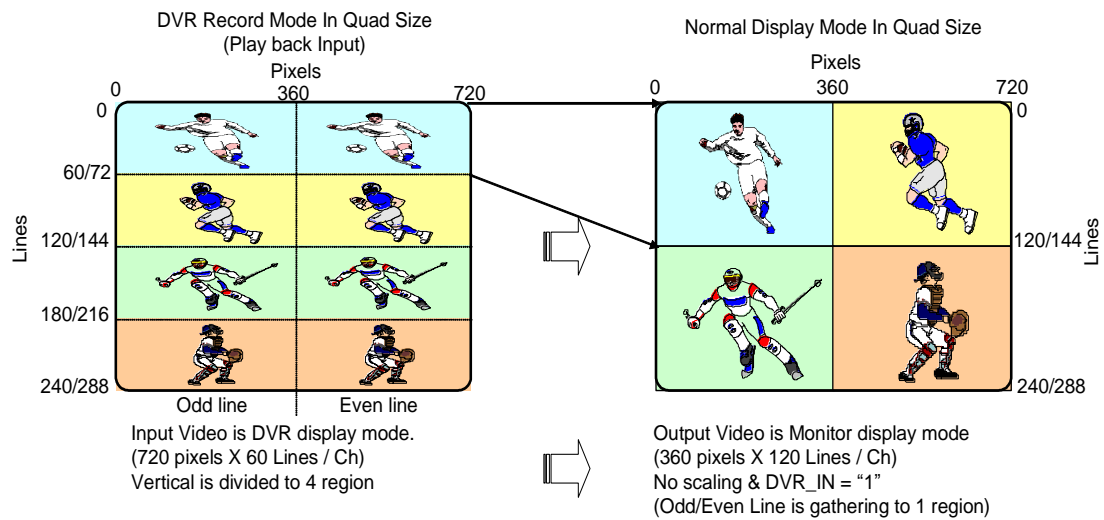


Fig 36 The conversion from DVR normal record mode to normal display mode

The TW2835 supports all channel attributes in this mode except the scaling function for vertical direction. So the picture size in this mode will be fixed to Quad (360x120).

DVR Frame Record Mode

The TW2835 also provides the conversion from DVR frame record mode to normal display mode using combination of frame record mode and DVR normal record mode via the DVR_IN and FIELD_OP (1x12, 1x15, 1x1A, 1x1D, 1x22, 1x25, 1x2A, and 1x2D) register. The following Fig 37 shows the illustration of conversion from DVR frame record mode to normal display mode in playback application.

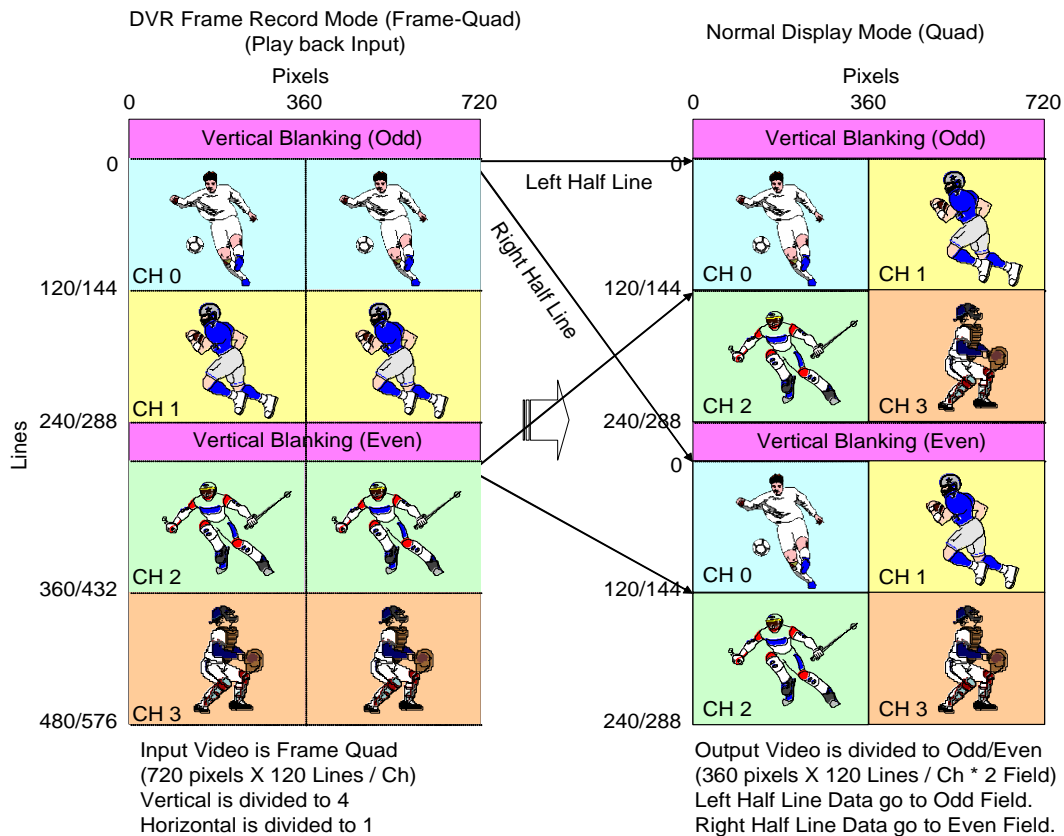


Fig 37 The conversion from DVR frame record mode to normal display mode

Like DVR normal record mode, all channel attributes can be supported, but the scaling function cannot be supported in this mode. So the channel size will be fixed to Quad size. To implement PIP or POP application with smaller size than Quad, only odd line data is used with channel size definition, scaling and enhancement function.

Like frame record mode, the only horizontal zoom mode is useful to display the playback input of DVR frame record mode to full size image via the DVR_IN and H_ZM_MD (1x0C) register. The following Fig 38 shows the illustration of this conversion from DVR frame record mode to normal display mode for full image in playback application.

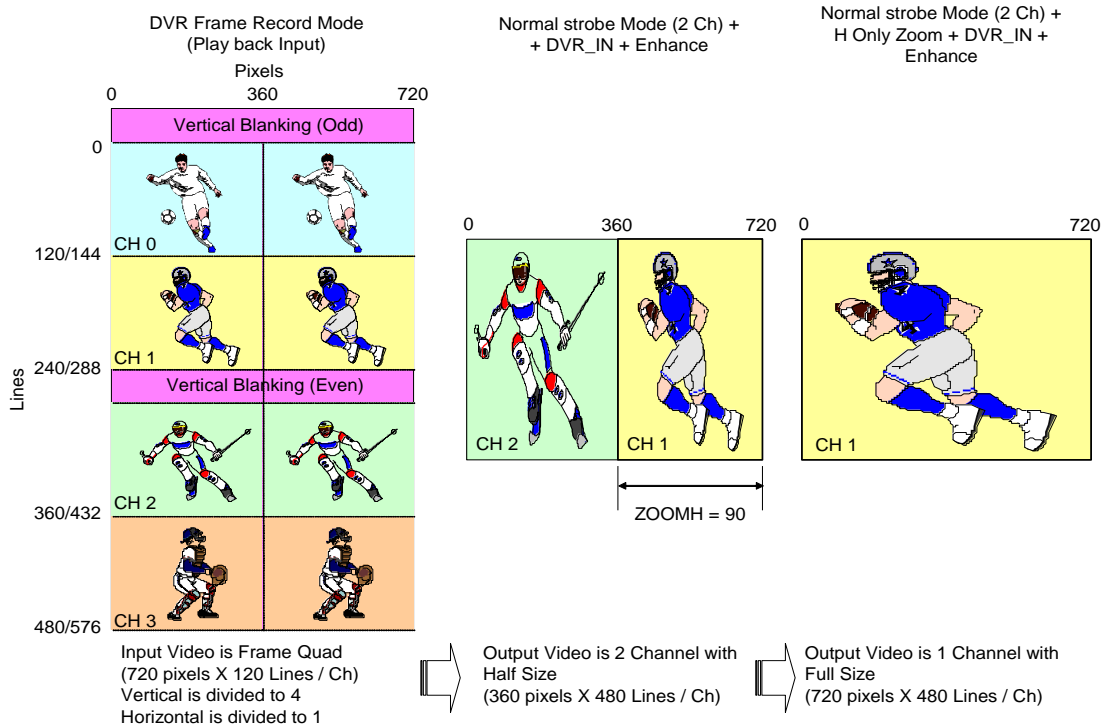


Fig 38 The conversion from DVR frame record mode to normal display mode for full image

Record Path Control

The TW2835 supports 4 record modes such as normal record mode, frame record mode, DVR record mode and DVR frame record mode. The DVR record mode and DVR frame record mode generate continuous video stream for each channel and transfer it to compression part (M-JPEG or MPEG) so that they are very useful for DVR application. The frame record mode can be used to record each channel with full vertical resolution. Especially the TW2835 includes a noise reduction filter in record path so that it can reduce spot noise and then provide less compression file size.

The record mode is selected via the DIS_MODE and FRAME_OP (1x51) register. If the FRAME_OP is "0", the DIS_MODE = "0" stands for normal record mode and the DIS_MODE = "1" represents DVR record mode. If the FRAME_OP is "1", the DIS_MODE = "0" stands for frame record mode and the DIS_MODE = "1" represents DVR frame record mode.

The TW2835 supports high performance free scaler vertically and horizontally in display path, but has the size and position limitation such as Full / Quad / CIF in record path. The TW2835 also provides four channel real-time record mode with full D1 format using DLINKI and MPP1/2 pin.

Normal Record Mode

Each channel position and size can be defined using its own PIC_SIZE (1x6C), and PIC_POS (1x6D) register. The channel size is defined via the PIC_SIZE register such as “0” for horizontal and vertical half size (QUAD), “1” for horizontal full size and vertical half size, “2” for horizontal half size and vertical full size, and “3” for horizontal and vertical full size. The channel position is defined via the PIC_POS register such as “0” for no horizontal and vertical offset, “1” for only horizontal half offset, “2” for only vertical half offset, and “3” for horizontal and vertical half offset. The channel size and location should be defined within the full picture size. (i.e. PIC_SIZE = “3” & PIC_POS = “2” is not allowed)

The horizontal full size of picture is controlled via the SIZE_MODE (1x51) register such as “0” for 720 pixels, “1” for 702 pixels, and “2” for 640 pixels. Likewise, the vertical full size is selected by the SYS5060 (1x00) register such as “0” for 240 lines and “1” for 288 lines.

If more than 2 channels have same region, there will be a conflict of what to display for that area. Generally the TW2835 defines that the channel 0 has priority over channel 3. So if a conflict happens between more than 2 channels, the channel 0 will be displayed first as top layer and then the channel 1, 2 and 3 are hidden beneath. The TW2835 also provides a channel pop-up attribute via the POP_UP (1x60, 1x63, 1x66, and 1x69) register to give priority for another display. If a channel has pop-up attribute, it will be displayed as top layer. The following Fig 39 shows the example of the channel position and size control in normal record mode.

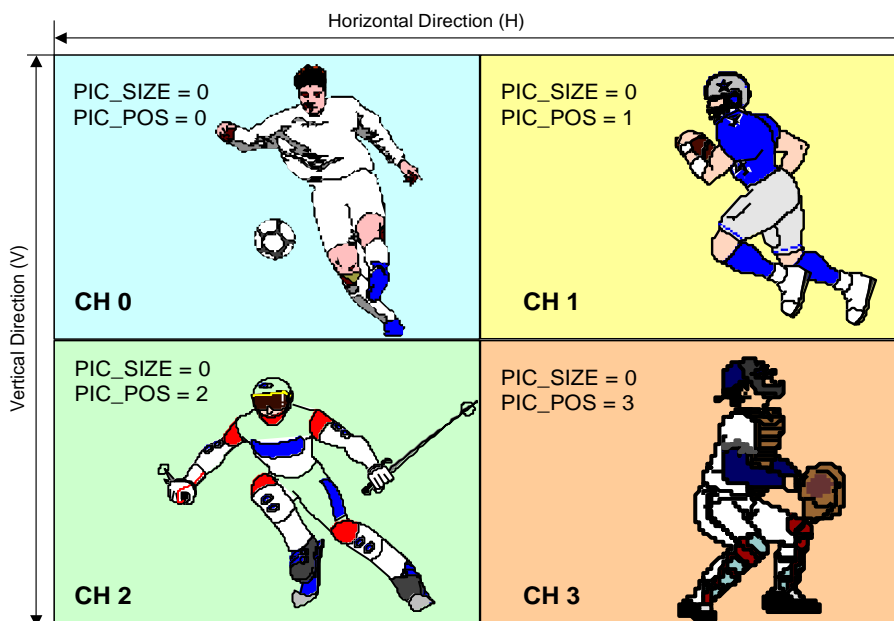


Fig 39 The channel position and size control in normal record mode

Frame Record Mode

The frame record mode is similar to normal record mode except that the definition of picture size is extended to frame area and only one field data can be output in 1 frame. The odd or even field selection is controlled via the FRAME_FLD (1x51) register. Like normal record mode, each channel position and size are defined using its own PIC_SIZE (1x6C), and PIC_POS (1x6D) register. The channel size is defined via the PIC_SIZE register such as “0” for horizontal half size and vertical full size, “1” for horizontal and vertical full size, but “2” or “3” is not allowed. That is, the channel size for vertical direction supports only one field size. The channel position is defined via the PIC_POS register such as “0” for no horizontal and vertical offset, “1” for only horizontal half offset, “2” for only vertical 1 field offset, and “3” for horizontal half picture offset and vertical 1 field offset. The channel size and location should be defined within the full picture size. In frame record mode, the TW2835 also supports the full operation mode such as live, strobe or switch operation and provides a pop-up attribute via the POP_UP register. The Fig 40 shows the example of the channel position and size control in frame record mode.

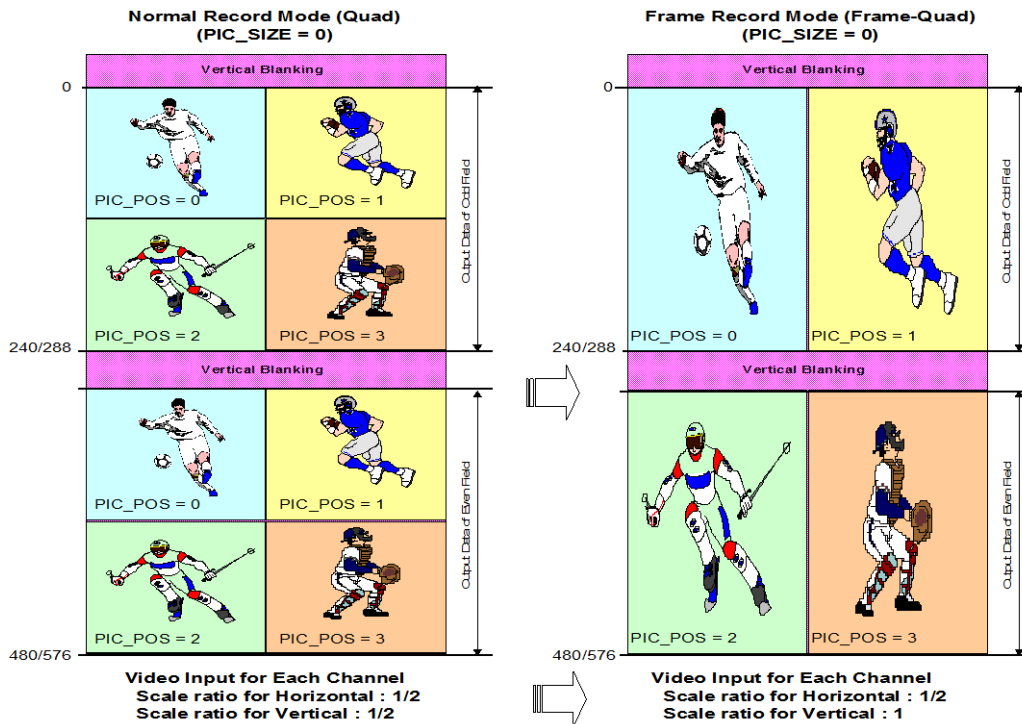


Fig 40 The channel position and size control in frame record mode

DVR Normal Record Mode

The DVR normal record mode outputs the continuous video stream for compression part (M-JPEG or MPEG) in DVR application. Like normal record mode, each channel position and size can be defined using its own PIC_SIZE (1x6C), and PIC_POS (1x6D) register.

The channel size is defined via the PIC_SIZE register such as “0” for horizontal and vertical half size (QUAD), “1” for horizontal full size and vertical half size, “2” for horizontal half size and vertical full size, and “3” for horizontal and vertical full size. The channel position is defined via the PIC_POS register such as “0” for no vertical offset, “1” for vertical 1/4 picture offset, “2” for vertical 1/2 picture offset and “3” for vertical 3/4 picture offset. The channel size and location should be defined within the full picture size. In DVR normal record mode, the TW2835 also supports the full operation mode such as live, strobe or switch operation and provides a pop-up attribute via the POP_UP register. But the channel boundary is not supported in DVR normal record mode. The following Fig 41 shows the example of the channel position and size control in DVR normal record mode.

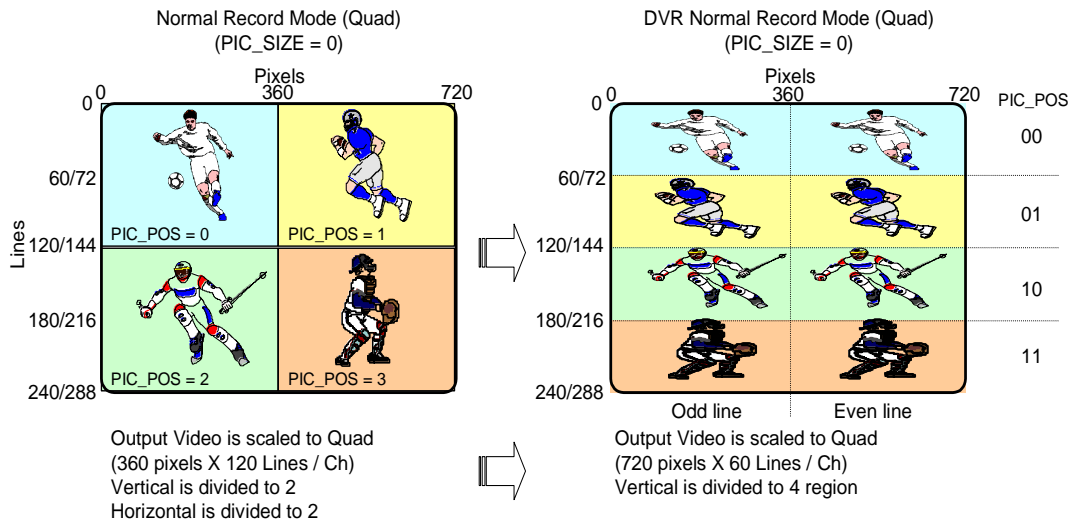


Fig 41 The channel position and size control for DVR normal record mode

DVR Frame Record Mode

The DVR frame record mode is the combination of frame record mode and DVR normal record mode. The odd or even field selection is controlled via the FRAME_FLD (1x51) register like frame record mode. The TW2835 also supports the full operation mode such as live, strobe or switch operation, but the channel boundary is not supported in DVR frame record mode.

Like frame record mode, each channel position and size can be defined using its own PIC_SIZE (1x6C), and PIC_POS (1x6D) register. The channel size is defined via the PIC_SIZE register such as “0” for horizontal half size and vertical full size, “1” for horizontal and vertical full size, but “2” or “3” is not allowed. The channel position is defined via the PIC_POS register such as “0” for no horizontal and vertical offset, “1” for vertical half offset, “2” for vertical 1 field offset, and “3” for vertical 1 and half field offset. The channel size and location should be defined within the full picture size. The following Fig 42 shows the example of DVR frame record mode.

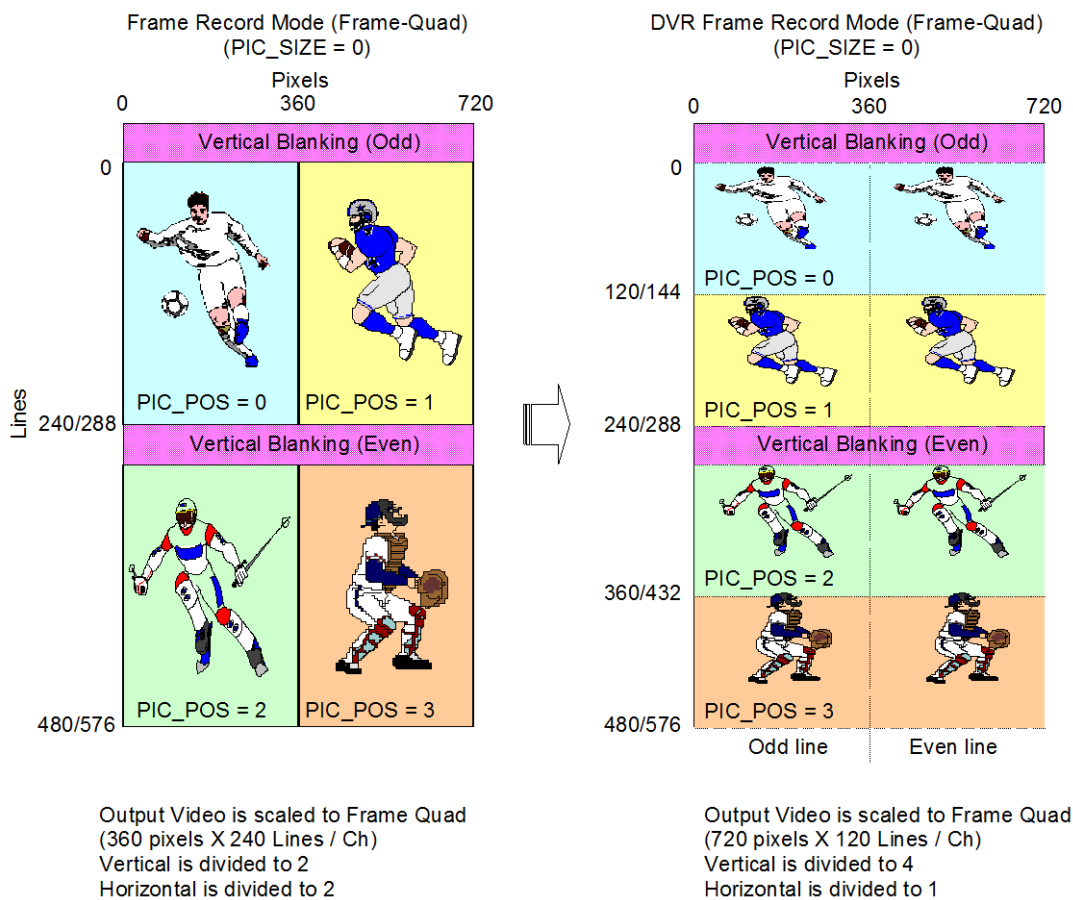


Fig 42 The channel position and size control for DVR frame record mode

Noise Reduction

The TW2835 includes a noise reduction filter in record path and the characteristic can be controlled via the TM_WIN_MD (1x52), MEDIAN_MD, TM_SLOP, and TM_THR (1x50) register. But this noise reduction filter is only available for normal record mode.

The TM_WIN_MD register defines window type to reduce spot noise as “0” for 3X3 matrix, “1” for cross matrix, “2” for multiplier matrix, and “3” for vertical bar matrix. The MEDIAN_MD defines the noise reduction filter mode as “0” for adaptive threshold median filter mode, “1” for normal median filter mode. For adaptive threshold median filter mode, the TW2835 has cross-correlation detector for noise detection. If cross-correlation value is over than TM_THR of noise threshold level, the noise reduction filter will be operated according to the graph defined by the TM_SLOP register.

The following Fig 43 shows the slope control for adaptive threshold median filter mode.

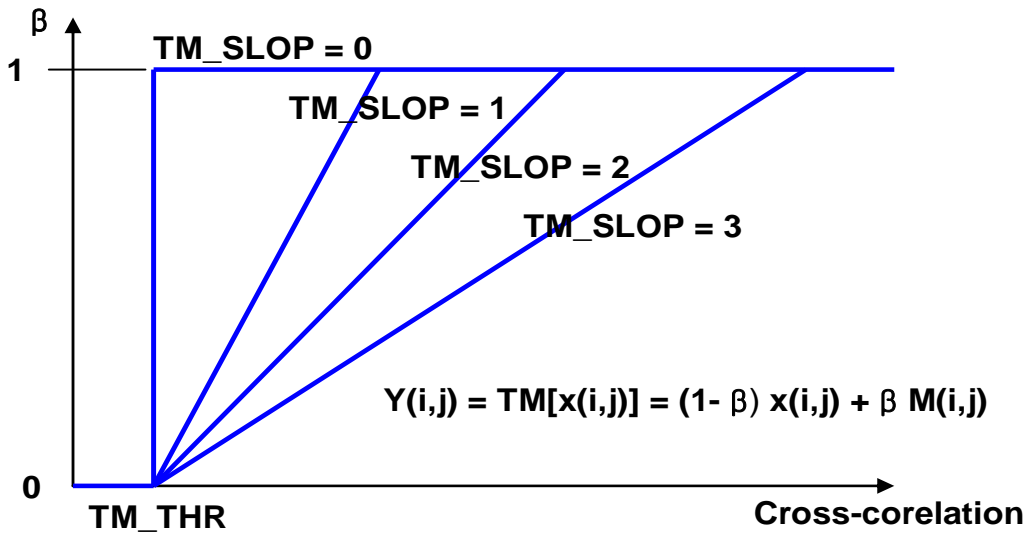


Fig 43 The slope control for adaptive threshold median filter mode

The TW2835 supports the noise reduction filter for each channel via the NR_EN (1x60, 1x63, 1x66, and 1x69) register. The TW2835 also supports auto noise reduction filter mode via the AUTO_NR_EN (1x55) register that is enabled when night is detected. Additionally the TW2835 has programmable black level of luminance component in record path to reduce the black spot noise via the LIM_656_Y (0xC1, and 0xC2) register.

Channel ID Encoder

The TW2835 supports the channel ID encoding to detect the picture information in video stream for record path. The TW2835 has three kinds of channel ID such as User channel ID, Detection channel ID and Auto channel ID. The User channel ID is used for customized information such as system information and date. The Detection channel ID is used for detected information of current live input such as motion, video loss, blind and night detection. The Auto channel ID is employed for automatic identification of picture configuration such as video input path number with cascaded stage, analog switch, event, region enable, and field/frame mode information. The TW2835 also supports both analog and digital type channel ID during VBI period.

Channel ID Information

The channel ID can be composed of 8 byte User channel ID, 8 byte Detection channel ID and 4 byte Auto channel ID. The User channel ID is defined by user and may be used for system information, date and so on. The Detection channel ID is used for the detected information such as video loss state, motion, blind and night detection. The Auto channel ID is used to identify the current picture configuration. Basically the Auto channel ID has 4 byte data that contains 4 region channel information in one picture such as QUAD split image. That is, each region has 1 byte channel information. The Auto channel ID format is described in the following Table 4.

Table 4. The Auto channel ID information

| Bit | Name | Function |
|-------|----------|---|
| 7 | REG_EN | Region Enable Information |
| 6 | EVENT | New Event Information |
| 5 | FLDMODE | Sequence Unit (0 : Frame, 1 : Field) |
| 4 | ANAPATH | Analog switch information |
| [3:2] | CASCADE | Cascaded Stage Information |
| [1:0] | VIN_PATH | Video Input Path Number (depending on DEC_PATH_Y) |

The REG_EN is used to indicate whether the corresponding 1/4 region is active or blank. The EVENT is used to denote the updating information of each channel in live, strobe or switch operation. Especially the EVENT information is very useful for switch operation or non-realtime application such as pseudo 8ch or dual page mode because each channel can be updated whenever EVENT is detected. The FLDMODE is used to denote the sequence unit such as frame or field. The ANAPATH is used to identify the analog switch information in the channel input path. The ANAPATH information is required for non-realtime application such as pseudo 8ch, dual page or pseudo 8channel MUX application using analog switch. The CASCADE is used to indicate the cascaded stage of channel in chip-to-chip cascaded application. The VIN_PATH information is used to indicate the video input path of channel.

Four bytes of Auto channel ID can be distinguished by its order. The first byte of Auto channel ID defines the left top region channel. Likewise the second byte defines the right top, the third byte defines the left bottom and the fourth byte defines the right bottom region channel in one picture. The following Fig 44 shows the example of Auto channel ID for various recording output formats.

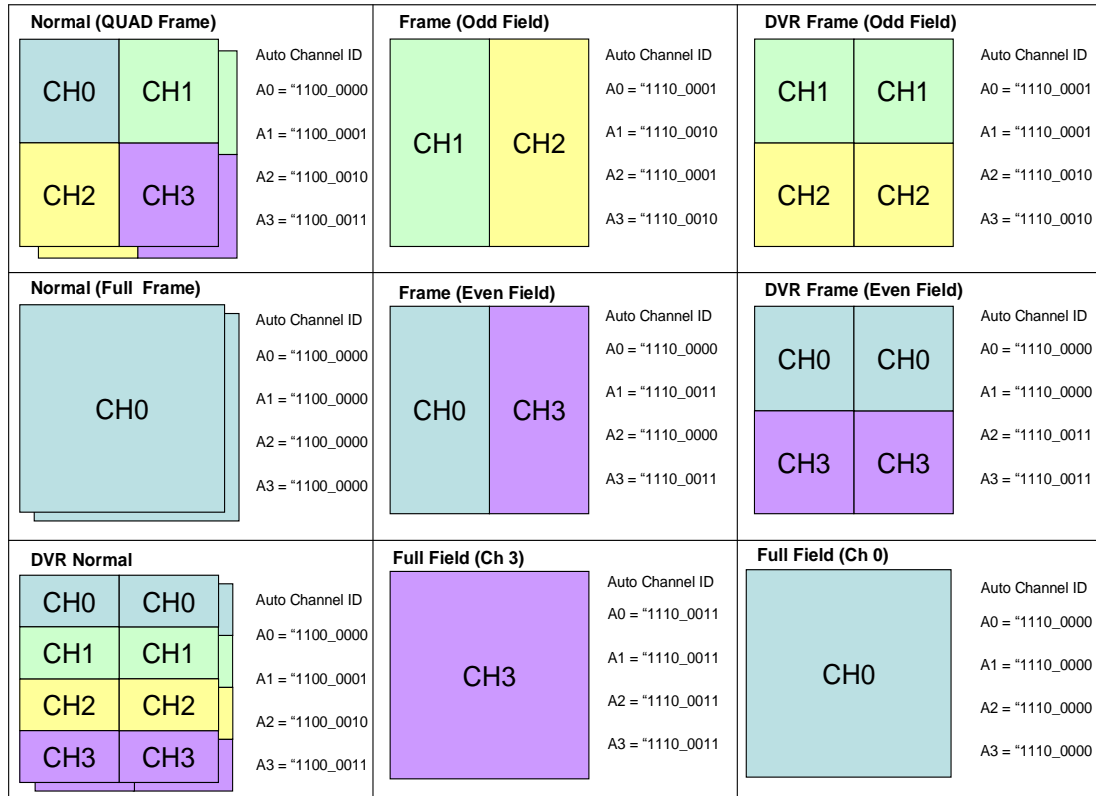


Fig 44 The example of auto channel ID for various record output formats

The Detection channel ID consists of 2 bytes because each channel requires 4 bits for video loss, motion, blind and night detection information. The detailed Detection channel ID format is described in the following Table 5.

Table 5. The Detection channel ID information

| Bit | Name | Function |
|-----|-----------|---|
| 3 | NOVID | Video loss Information (0 : Video is Enabled, 1 : Video loss) |
| 2 | MD_DET | Motion Information (0 : No Motion, 1 : Motion) |
| 1 | BLIND_DET | Blind Information (0 : No Blind, 1 : Blind) |
| 0 | NIGHT_DET | Night Information (0 : Day, 1 : Night) |

In analog channel ID type, 4 byte information can be inserted in one line so that only the half line is required for 1 chip detection channel ID, but two lines are always reserved for detection channel ID in case of cascaded application. For cascaded application, max 8 bytes are needed for detection channel ID information. The order of those channel ID depends on the cascaded stage via the LINK_NUM (1x00) register. That is, the master chip information (LINK_NUM = "0") is output at first order and the last slave chip information (LINK_NUM = "3") at last. The TW2835 also supports non-realtime detection channel ID format via the VIS_DM_MD (1x83) register. The non-realtime detection channel ID requires 4 bytes for 8 channel information. So one line is used for it and the order is that VIN_A information (ANA_SW = "0") is output at first and VIN_B information at last.

Analog Type Channel ID in VBI

The TW2835 supports the analog type channel ID during VBI period. The analog channel ID can include an Auto channel ID, Detection channel ID and User channel ID. Each channel ID can be enabled via the VIS_AUTO_EN, AUTO_RPT_EN, VIS_DET_EN, VIS_USER_EN (1x80) registers. The Auto channel ID requires one line basically, but can need one more line for repetition. Both Detection channel ID and User channel ID require two lines so that total six lines are used for analog type channel ID.

The vertical starting position of analog channel ID is controlled by the VIS_LINE_OS (1x83) register with 1 line unit and the horizontal starting position is defined via VIS_PIXEL_HOS(1x81) register with 2 pixel unit. The pixel width of each bit is controlled by the VIS_PIXEL_WIDTH (1x82) register and the magnitude of each bit is defined by the VIS_HIGH_VAL/VIS_LOW_VAL (1x84/1x85) register.

The analog channel ID consists of run-in clock, channel ID data, type and parity bit. The run-in clock insertion is enabled via the VIS_RIC_EN (1x80) register. The channel ID data can include 4 byte information and the channel ID type contains 3 bits that “0” is meant for Auto channel ID, “1” for repeated channel ID, “2” for Detection channel ID of master and first slave stage chip, “3” for Detection channel ID of second and third slave chip, “4” for User channel ID of VIS_MAN0~3, and “5” for User channel ID of VIS_MAN4~8. The parity is 1 bit width and used for even parity. The analog channel ID is located right after digital channel ID line. The following Fig 45 shows the illustration of analog channel ID.

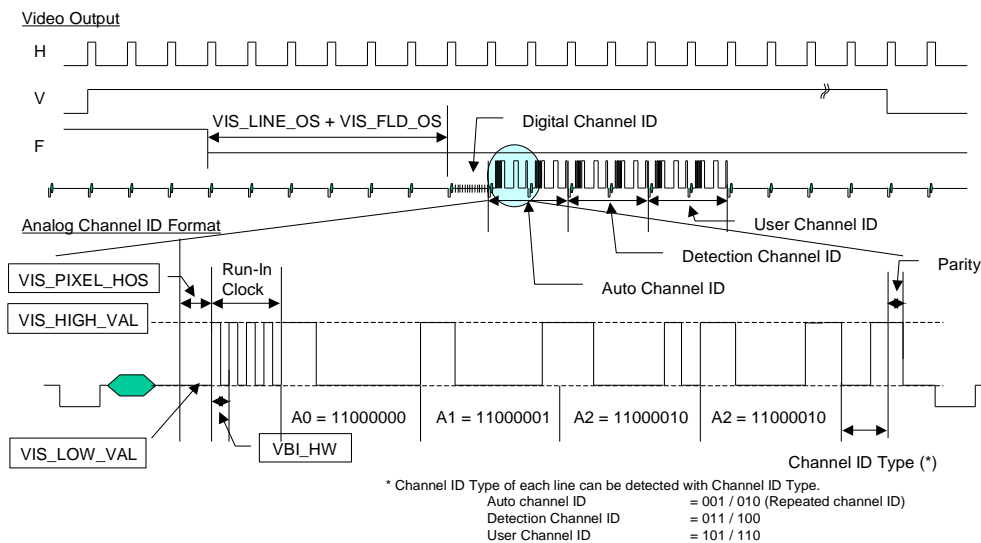


Fig 45 The illustration of analog channel ID

Digital Type Channel ID in VBI

The TW2835 also provides the digital type channel ID during VBI period. It's useful for DSP application because the channel ID can be inserted in just 1 line with special format. The digital channel ID is located before analog channel ID line. The digital channel ID can be enabled via the VIS_CODE_EN (1x80) register.

The digital channel ID is inserted in Y data in ITU-R BT.656 stream and composed of ID # and channel information. The ID # indicates the index of digital type channel ID including the Start code, Auto/Detection/User channel ID and End code. The ID # has 0 ~ 63 index and each channel information of 1 byte is divided into 2 bytes of 4 LSB that takes "50h" offset against ID # for discrimination. The Start code is located in ID# 0 ~ 1 and the Auto channel ID is situated in ID# 2 ~ 9. The Detection channel ID is located in ID # 10 ~ 25 and the User channel ID is situated in ID # 26 ~ 41. The End code occupies the others. The digital channel ID is repeated more than 5 times during horizontal active period. The following Fig 46 shows the illustration of the digital channel ID.

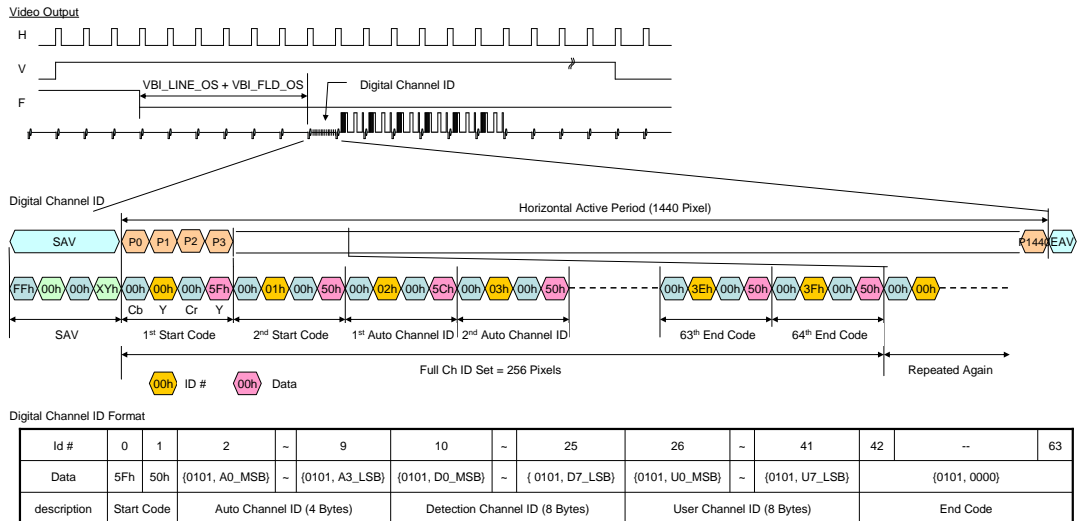


Fig 46 The illustration of the digital channel ID in VBI period

Digital Type Channel ID in Channel Boundary

The TW2835 also supports the extra type of digital channel ID in horizontal boundary of each channel. This information can be used for very easy memory management of each channel in DSP solution because this digital channel ID information includes not only the channel information but also line number of picture. The Auto channel ID format is described in the following Table 6.

Table 6 The digital channel ID information in active area

| Bit | Name | Function |
|--------|----------|---|
| [15:7] | LINENUM | Active Line number |
| 6 | FIELD | Field Polarity Information |
| 5 | REG_EN | Region Enable Information |
| 4 | ANAPATH | Analog switch information |
| [3:2] | CASCADE | Cascade Stage Information |
| [1:0] | VIN_PATH | Video Input Path Number (depending on DEC_PATH_Y) |

This digital channel ID is enabled in the horizontal active area by setting “1” to the CH_START (1x55) register. The following Fig 47 shows the digital channel ID in channel boundary.

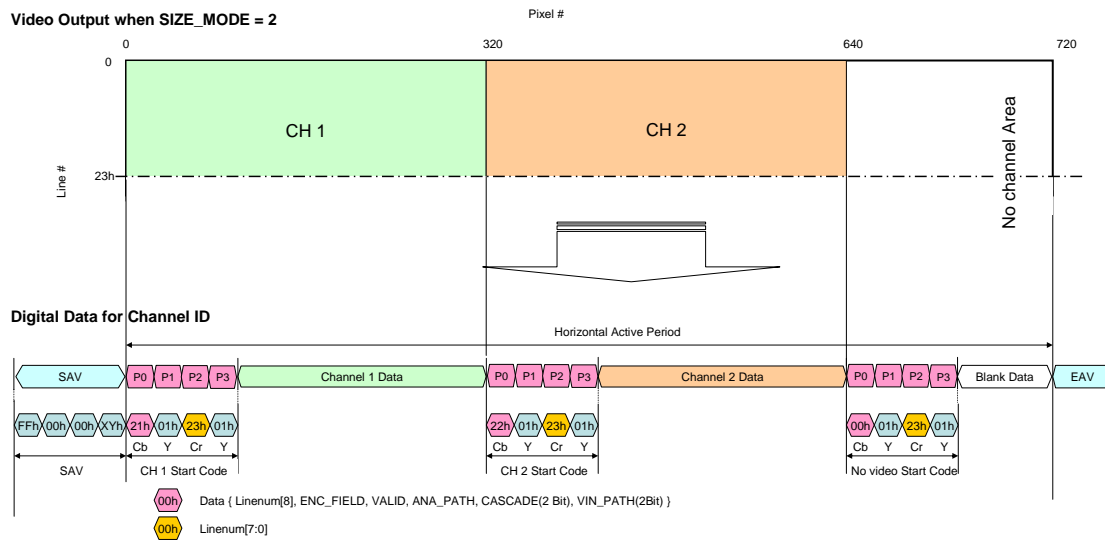


Fig 47 The digital channel ID format in channel boundary

Chip-to-Chip Cascade Operation

The TW2835 supports chip-to-chip cascade connection up to 4 chips for 16-channel application and also provides the independent operation for display and record path. That is, the display path can be operated with cascade connection even though the record path is working in normal operation. Likewise, the cascade connection of record path is limited within 4 chips while the infinite cascade connection of display path can be supported for more than 16-channel application.

In cascade operation, the TW2835 transfers all information of slaver chips to master chip including video data, zoom factors, switching information and 2D box except overlay information such as single box, mouse pointer and bitmap information. Therefore, the master chip should be controlled for overlay and the lowest slaver chip should be controlled for the others such as video data, zoom control and switching queue.

Channel Priority Control

When 2 channels are overlapped in chip-to-chip cascade operation for display path, there is a priority with the following order such as popup attributed channel of master device, popup attributed channel of slaver device, non-popup attributed channel of master device and non-popup attributed channel of slaver device. Using this popup attribute, the TW2835 can implement the channel overlay such as PIP, POP, and full D1 format channel switching in chip-to-chip cascade connection.

For QUAD multiplexing record output in chip-to-chip cascade application, the popup priority of the channel is controlled via the QUAD_MUX queue. The QUAD_MUX operation is enabled via the POS_CTL_EN (1x70) register and the operation mode should be set into strobe operation (FUNC_MODE = "1"). If the POS_CTL_EN is "0", the channel position is defined via the PIC_POS (1x6D) register and the priority from top to bottom layer is controlled by the popup attribute like the display path. If the POS_CTL_EN is "1", the channel position and priority is controlled by the pre-defined queue or interrupt.

The TW2835 supports the interrupt triggering via the POS_INTR (1x70), POS_CH (1x73, 1x74) register and also provides the internal or external triggering mode for the QUAD_MUX operation. The triggering mode is selected via the POS_TRIG_MODE (1x70) register such as "0" for external trigger mode and "1" for internal trigger mode.

The QUAD_MUX queue size can be defined by the POS_QUE_SIZE (1x71) register. To change the channel popup sequence in internal queue, the POS_QUE_WR (1x75) register should be set to "1" after defining the queue address with the POS_QUE_ADDR (1x75) register and the channel number with the POS_CH (1x73, 1x74) register. The POS_QUE_WR register will be cleared automatically after updating queue. The QUAD_MUX queue is shared with the normal switching queue so that the maximum queue size for QUAD_MUX is 32 (=128/4) depth.

The QUAD_MUX switching period can be defined via the POS_QUE_PERIOD (1x72) register that has 1 ~ 1024 period range in the internal triggering mode. The switching period unit is controlled via the POS_FLD_MD (1x71) register as field or frame. If switching period unit is frame, switching will occur at the beginning of odd field. The internal field counter can be reset at anytime using the POS_CNT_RST (1x75) register that will be cleared automatically after set

to “1”. To reset an internal queue position, the POS_QUE_RST (1x75) register should be set to “1” and will be cleared automatically after set to “1”. The structure of QUAD_MUX switching operation is shown in the following Fig 48.

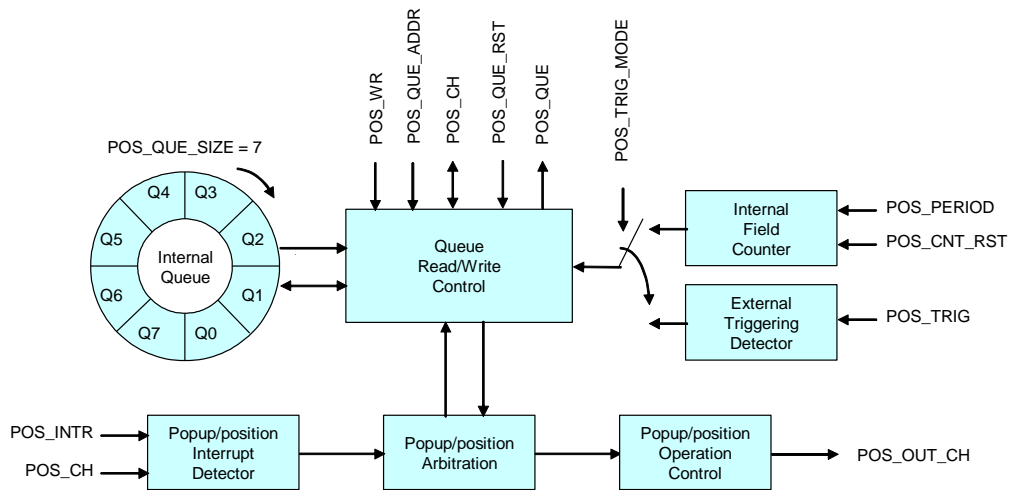


Fig 48 The structure of QUAD_MUX switching operation when POS_SIZE = 7

For QUAD_MUX switching operation by field unit, the TW2835 supports an auto strobe mode for channel to be updated automatically with specific field data. The STRB_FLD (1x04, 1x54) register is used to select specific field data in strobe mode and the STRB_AUTO (1x07, 1x57) register is used to update it automatically.

The QUAD_MUX operation has several limitations. The first is that the channel region should not be overlapped with other channel region via the PIC_SIZE and PIC_POS register. The second is that the channel position and popup property in live or strobe operation mode can be controlled by the popup/position control. But the channel position and priority in switch operation mode is determined by the QUAD_MUX queue. The third is that the POS_CH register in QUAD_MUX queue should be set as the following sequence that is the left top, right top, left bottom and right bottom position in the picture. The POS_CH register includes the cascade stage and channel number information.

120 CIF/Sec Record Mode

For chip-to-chip cascade connection, the DLINKI, VLINKI and HLINKI pin in master chip should be connected to VDOUTX, VSENC and HSENC pin in slaver chips. So the VDOUTX, VSENC and HSENC output pin is only available in master device when cascaded.

The TW2835 has several registers for cascade operation such as the LINK_EN, LINK_NUM, LINK_LAST (1x00) and SYNC_DEL (1x7E) register. For lowest slaver chip, both LINK_LAST_X and LINK_LAST_Y should be set to "1". To receive the cascade data from slaver chip, either LINK_EN_X or LINK_EN_Y should be set to "1". To transfer the cascade data properly among the chips, the LINK_NUM and SYNC_DEL should be set properly in accordance with its order. The information of switching channel can be taken from master chip via the channel ID in video stream output or by reading the MUX_OUT_CH (1x08, 1x6E) register. The information of switching channel can also be taken from the lowest slaver chip via the MPP1/2 pins. The following Fig 49 illustrates the cascade connection for 120 CIF/Sec record mode.

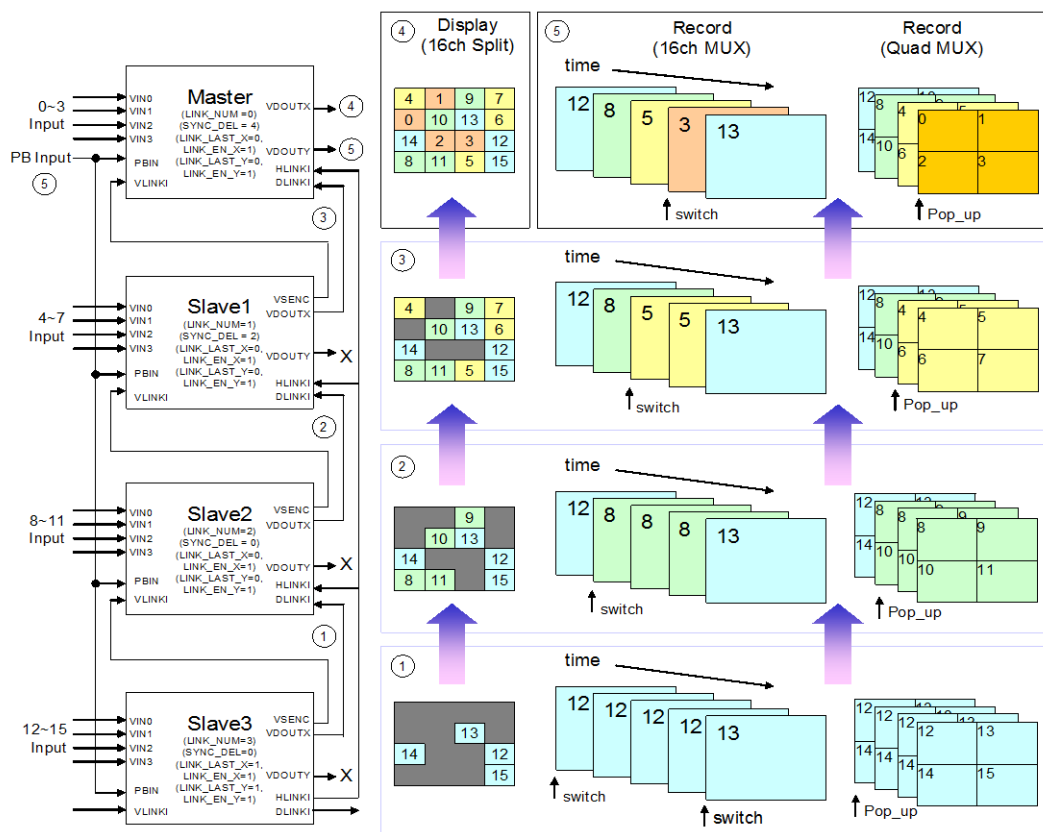


Fig 49 The cascade connection for 120 CIF/sec record mode

240 CIF/Sec Record Mode

The TW2835 supports 240 CIF/Sec record mode in chip-to-chip cascade connection. In this case, the display path is composed of 4 chip cascade stage, but the record path consists of 2 chip cascade stage. That is, two lowest slaver chips for record path should be set with the LINK_LAST_Y = "1" and the switching channel information can be taken from two master chips for record path via the channel ID in video stream or by reading the MUX_OUT_CH (1x6E) register. The following Fig 50 illustrates the cascade connection for 240 CIF/Sec record mode.

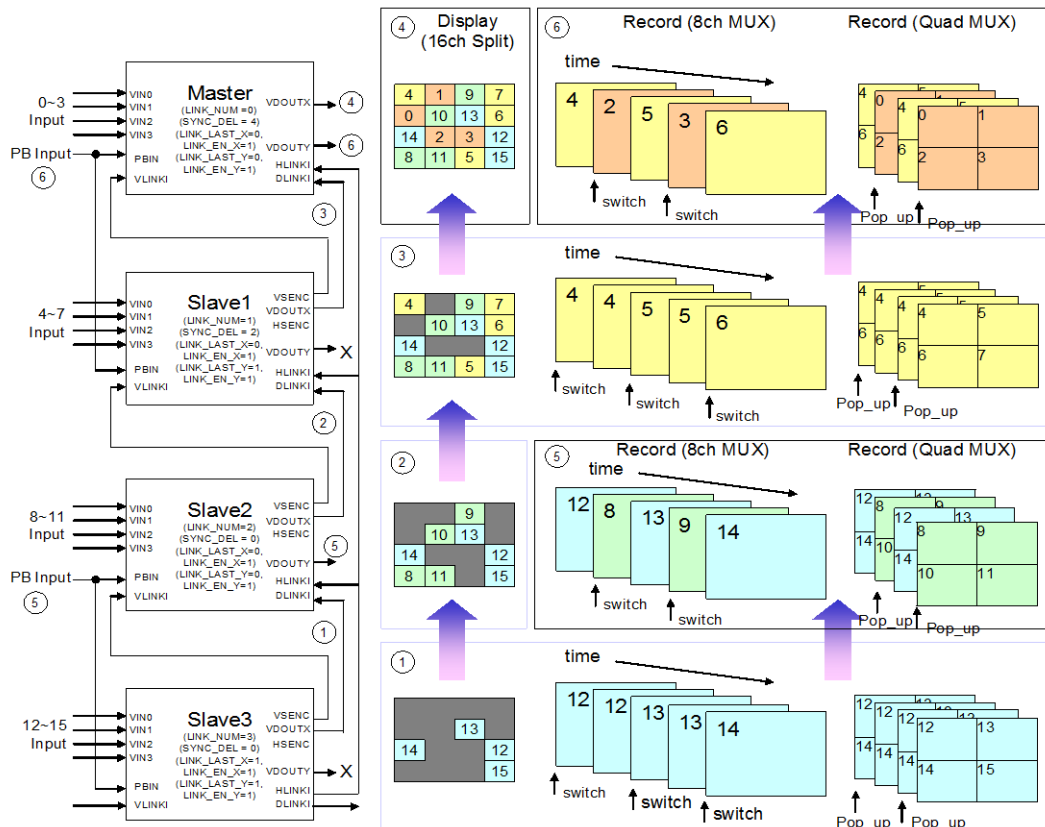


Fig 50 The cascade connection for 240 CIF/sec record mode

480 CIF/Sec Record Mode

The TW2835 also supports 480 CIF/Sec record mode in chip-to-chip cascade connection. In this case, the display path is composed of 4 chip cascade stage, but the record path has no cascade connection. Even though the record path has no cascade connection, the LINK_NUM should be set properly in accordance with its cascade order for correct channel number in channel ID and the LINK_EN_Y should be set to “0” or the LINK_LAST_Y should be set to “1”. The TW2835 transfers the slaver chip information to master chip such as zoom control and 2D box only for display path and the switching channel information for record path can be taken from each chip via the channel ID in video stream or by reading the MUX_OUT_CH (1x6E) register. The following Fig 51 illustrates the cascade connection for 480 CIF/Sec record mode.

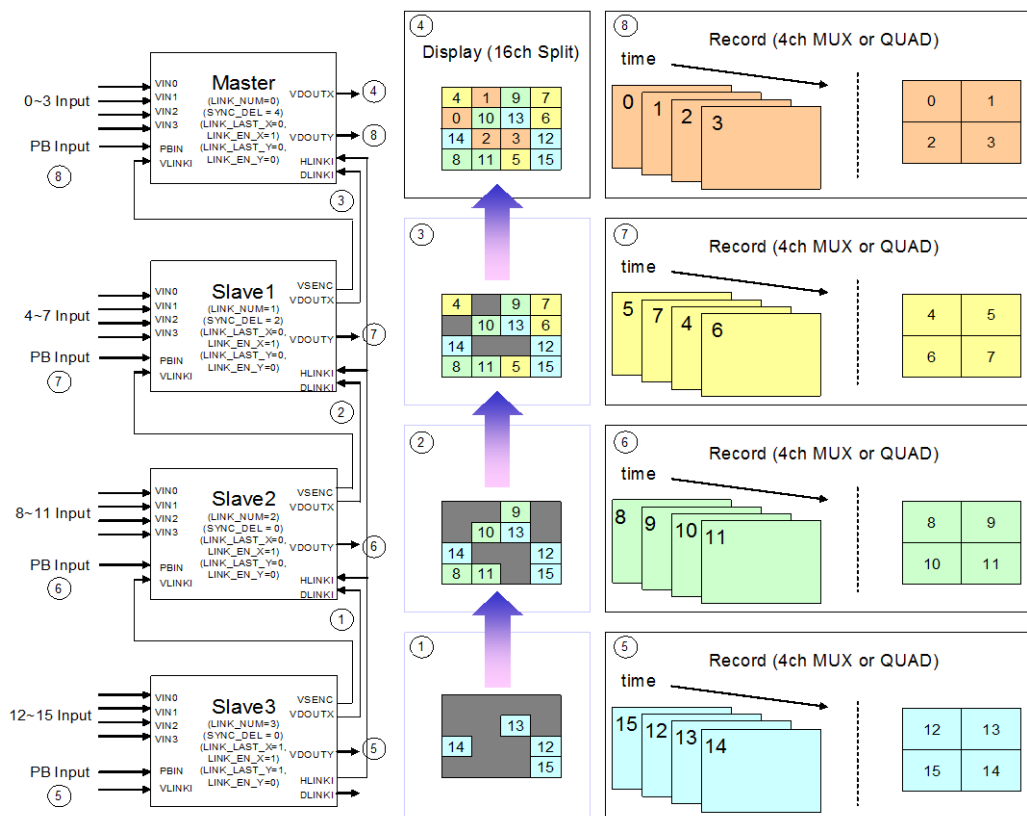


Fig 51 The cascade connection for 480 CIF/Sec record mode

Infinite Cascade Mode for Display Path

In normal cascade connection, the master chip has LINK_NUM = "0" and the lowest slaver chip has LINK_NUM = "3". The master chip can output both display and record path, but the slaver device can output only record path. To implement more than 16 channel application, the TW2835 also provides the infinity cascade connection for display path. That is, the video data and popup information can be transferred to next cascade chip even though the master chip is set with LINK_NUM = "0" and the slaver chip with LINK_NUM = "3" for display path. This mode can be enabled via the T_CASCADE_EN (1x7F) register.

The following Fig 52 illustrates the multiple cascade connection for display path. In this example, the display path in the last master chip can output 32 channel video and the record path can implement "480 CIF/sec" with lower 4 chips and "120 CIF/sec" with upper 4 chips.

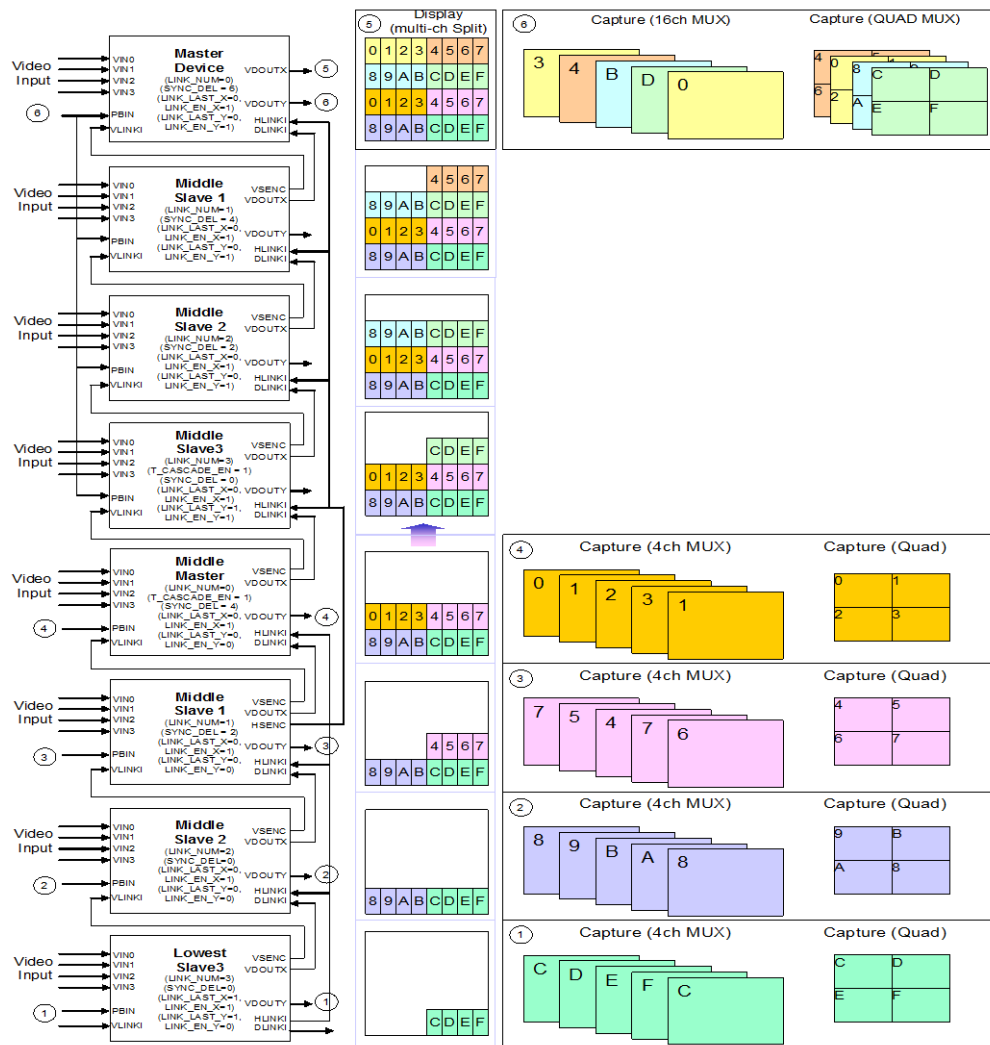


Fig 52 Infinite cascade mode for display path

OSD (On Screen Display) Control

The TW2835 provides various overlay layers such as 2D box layer, bitmap layer, single box layer and mouse pointer layer that can be overlaid on display and record path independently. The following Fig 53 shows the overlay block diagram.

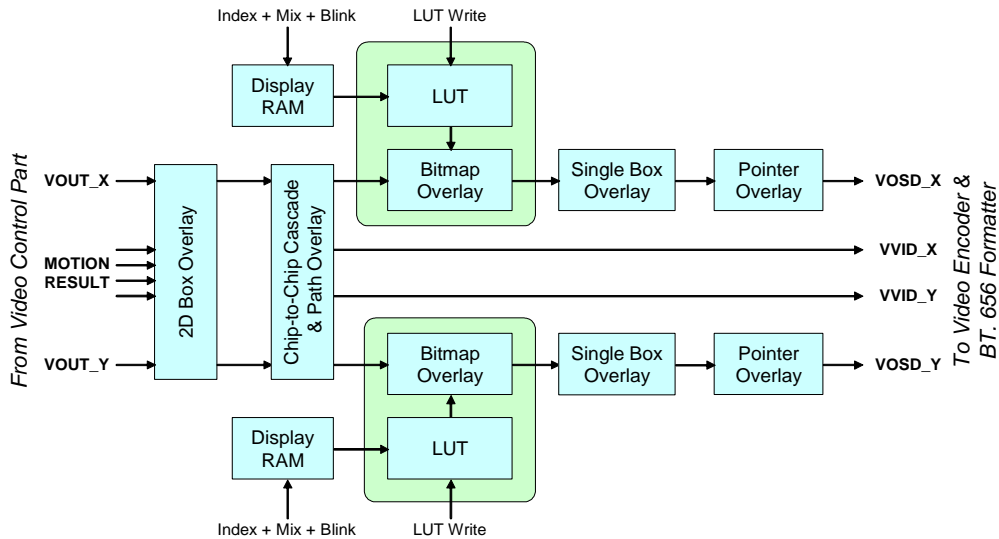


Fig 53 Overlay block diagram

The bitmap data can be downloaded from host and supported up to 2 fields * 6 pages for display path and 2 field * 1 page for record path. The TW2835 supports four single and 2D arrayed boxes that are programmable for size, position and color.

Dual analog video outputs and dual digital video outputs can enable or disable a bitmap, single box and mouse pointer overlay respectively. The overlay priority of OSD is shown in Fig 54. The various OSD overlay function is very useful to build GUI interface.

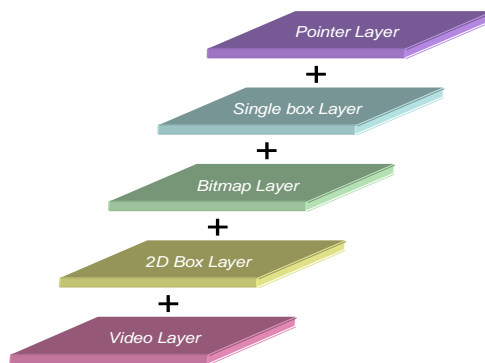


Fig 54 The overlay priority of OSD layer

2 Dimensional Arrayed Box

The TW2835 supports four 2D arrayed boxes that have programmable cell size up to 16x16. The 2D arrayed box can be used to make table menu or display motion detection information via the 2DBOX_MODE (2x60, 2x68, 2x70, 2x78) register. The 2D arrayed box is displayed on each path by the 2DBOX_EN (2x60, 2x68, 2x70, and 2x78) register.

For each 2D arrayed box, the number of row and column cells is defined via the 2DBOX_HNUM and 2DBOX_VNUM (2x66, 2x6E, 2x76, and 2x7E) registers. The horizontal and vertical location of left top is controlled by the 2DBOX_HL (2x62, 2x6A, 2x72, and 2x7A) register and the 2DBOX_VT (2x64, 2x6C, 2x74, and 2x7C) registers. The horizontal and vertical size of each cell is defined by the 2DBOX_VW (2x65, 2x6D, 2x75, and 2x7D) registers and the 2DBOX_HW (2x63, 2x6B, 2x73, and 2x7B) registers. So the whole size of 2D arrayed box is same as the sum of cells in row and column.

The boundary of 2D arrayed box is enabled by the 2DBOX_BNDEN (2x61, 2x69, 2x71, and 2x79) register and its color is controlled via the 2DBOX_BNDCOL (2x5F) register which selects one of 4 colors such as 0% black, 25% gray, 50% gray and 75% white.

Especially the TW2835 provides the function to indicate cursor cell inside 2D arrayed box. The cursor cell is enabled by the 2DBOX_CUREN (2x60, 2x68, 2x70, and 2x78) register and the displayed location is defined by the 2DBOX_CURHP and 2DBOX_CURVP (2x67, 2x6F, 2x77, and 2x7F) registers. Its color is a reverse color of cell boundary. It is useful function to control motion mask region.

The plane of 2D arrayed box is separated into mask plane and detection plane. The mask plane represents the cell defined by MD_MASK (2x86 ~ 2x9D, 2xA6 ~ 2xBD, 2xC6 ~ 2xDD, 2xE6 ~ 2xFD) register. The detection plane represents the motion detected cell excluding the mask cells among whole cells. The mask plane of 2D arrayed box is enabled by the 2DBOX_MSKEN (2x60, 2x68, 2x70, 2x78) register and the detection plane is enabled by the 2DBOX_DETEN (2x60, 2x68, 2x70, 2x78) register. The color of mask plane is controlled by the MASK_COL (2x5B ~ 2x5E) register and the color of detection plane is defined by the DET_COL (2x5B ~ 2x5E) register which selects one out of 12 fixed colors or 4 user defined colors using the CLUT (2x13 ~ 2x1E) register. The mask plane of 2D arrayed box shows the mask information according to the MD_MASK registers automatically and the additional narrow boundary of each cell is provided to display motion detection via the 2DBOX_DETEN register and its color is a reverse cell boundary color. The plane can be mixed with video data by the 2DBOX_MIX (2x60, 2x68, 2x70, 2x78) register and the alpha blending level is controlled as 25%, 50%, and 75% via the ALPHA_2DBOX (2x1F) register. Even in the horizontal / vertical mirroring mode, the video data and motion detection result can be matched via the 2DBOX_HINV and 2DBOX_VINV (2x81, 2xA1, 2xC1, 2xE1) registers.

The TW2835 has 4 2D arrayed boxes so that 4 video channels can have its own 2D arrayed box for motion display mode. To overlay mask information and motion result on video data properly, the scaling ratio of video should be matched with 2D arrayed box size.

The following Fig 55 shows the 2D arrayed box of table mode and motion display mode.

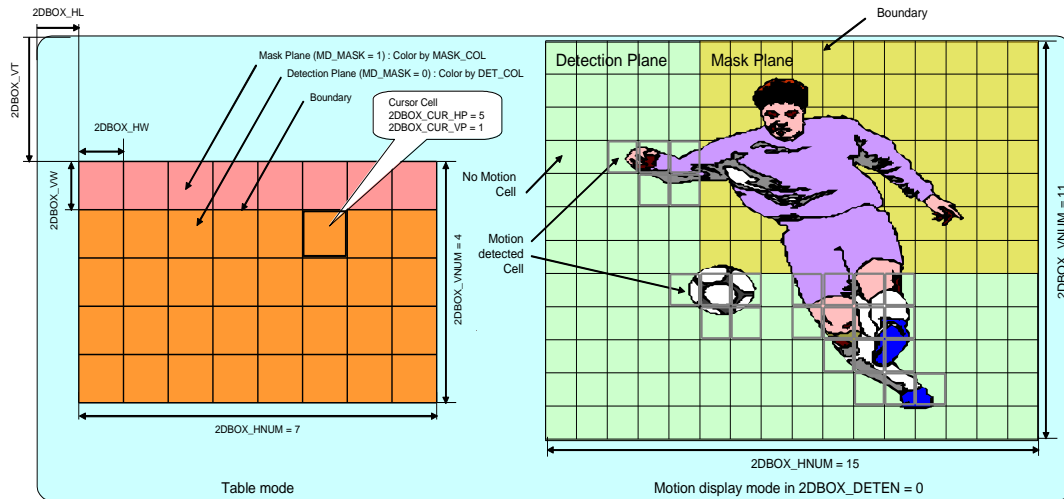


Fig 55 The 2D arrayed box in table mode and motion display mode

In case those several 2D arrayed boxes have same region, there will be a conflict of what to display for that region. Generally the TW2835 defines that 2D arrayed box 0 has priority over other 2D arrayed box. So if a conflict happens between more than 2 2D arrayed boxes, 2D arrayed box 0 will be displayed first as top layer and 2D arrayed box 1, box 2, and box 3 are hidden beneath that are not supported for pop-up attribute like channel attribute.

Bitmap Overlay

The TW2835 has bitmap overlay function for display and record path independently. Each bitmap overlay function block consists of display RAM, lookup table (LUT) and overlay control block. The display RAM stores the downloaded bitmap data from host via the OSD_BUF_DATA (2x00 ~ 2x03) registers by 4 dot unit for display path and 8 dot unit for record path. Actually, the downloaded bit map data consists of index and attributes such as mix and blink. The TW2835 can support max 6 frame bit map pages for display path, and 1 frame for record path. But to extend the bit map page to 1 ~ 5 frame page, the save function is not allowed because those frame pages are overlapped with save function page.

The TW2835 has the respective display RAM for display and record path and supports full bitmap overlay with 720 x 576/480 dot resolution for both paths. Each dot has its own attributes such as mix, blink, and LUT index (6 bits for display path and 2 bits for record path). The mix attribute makes character mixed with video data and blink attribute gets character to be blinked with the period defined by the BLK_TIME (2x1F) register. The index attribute selects the displayed color out of 64 colors in display path and 4 colors in record path. If the index is 0xFFh for display path and 0xFh for record path, the dot is disabled and cannot be displayed on the picture. The lookup table (LUT) converts the index into the real displayed color (Y/Cb/Cr). The relationship between the OSD_BUF_DATA and the displayed location is shown in the following Fig 56.

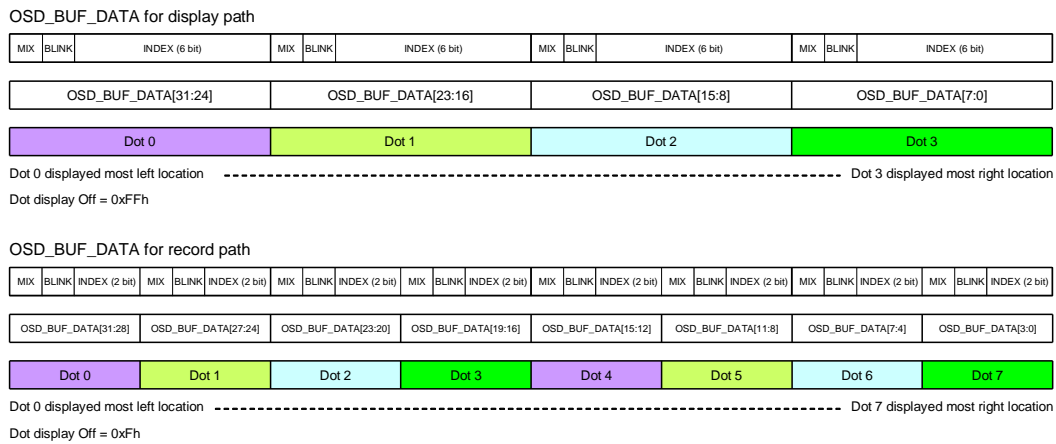


Fig 56 The relationship between the OSD_BUF_DATA and the displayed location

The following Fig 57 shows the structure of the display RAM in display and record path.

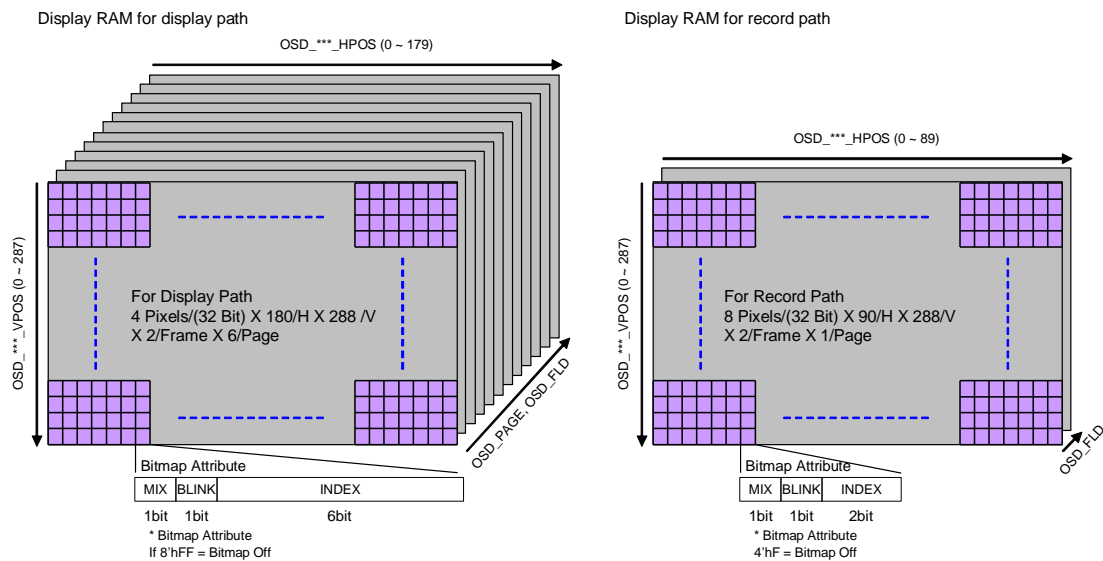


Fig 57 The structure of the display RAM

The TW2835 support two method for downloading in display RAM such as using internal buffer and using graphic acceleration via the OSD_ACC_EN (2x0A) register. The internal buffer usage is normal method to download a bit map data by 4 ~ 64 dot for display path and 8 ~ 128 dot for record path through the OSD_BUF_DATA, OSD_BUF_ADDR and OSD_BUF_WR (2x04) register. The horizontal starting position for downloading bitmap in display RAM is defined by the OSD_START_HPOS (2x05) register with 4 dot unit for display path and 8 dot unit for record path. The vertical starting position for downloading bitmap is defined by the OSD_START_VPOS (2x07, 2x09) register with 1 line unit. The MSB of the OSD_START_VPOS selects the field of downloading as "0" is for odd field and "1" is for even field. The writing data size of internal buffer is defined by the OSD_BL_SIZE (2x0A) register and the writing path of internal buffer is selected by the OSD_MEM_PATH (2x0A) register ("0" for display path and "1" for record path). The download processing is started by the OSD_MEM_WR (2x0A) register that will be cleared automatically when downloading is finished.

The graphic acceleration is useful for single writing, box, line drawing and clearing bitmap data because it will automatically fill in specific display RAM area via the OSD_BUF_DATA. For the graphic acceleration, the OSD_START_HPOS, OSD_START_VPOS, OSD_MEM_PATH and OSD_MEM_WR registers except the OSD_BL_SIZE register are shared with internal buffer. Additionally the horizontal and vertical ending positions are defined by the OSD_END_HPOS (2x06) and OSD_END_VPOS (2x08) register. For proper graphic acceleration, the graphic acceleration region may be separated into multiple regions like 16 x A + B. That is, the "A" region can be divided by 16 unit (1unit is 8 dot for display path, 4 dot for record path) and the remained region can be less than 16 unit. So if the region can not be divided by 16 unit, the graphic acceleration should be performed two times independently. The graphic acceleration is started by the OSD_MEM_WR (2x0A) register that will be cleared automatically when graphic acceleration is finished.

The Fig 58 shows the flowchart for downloading data to display RAM and lookup table.

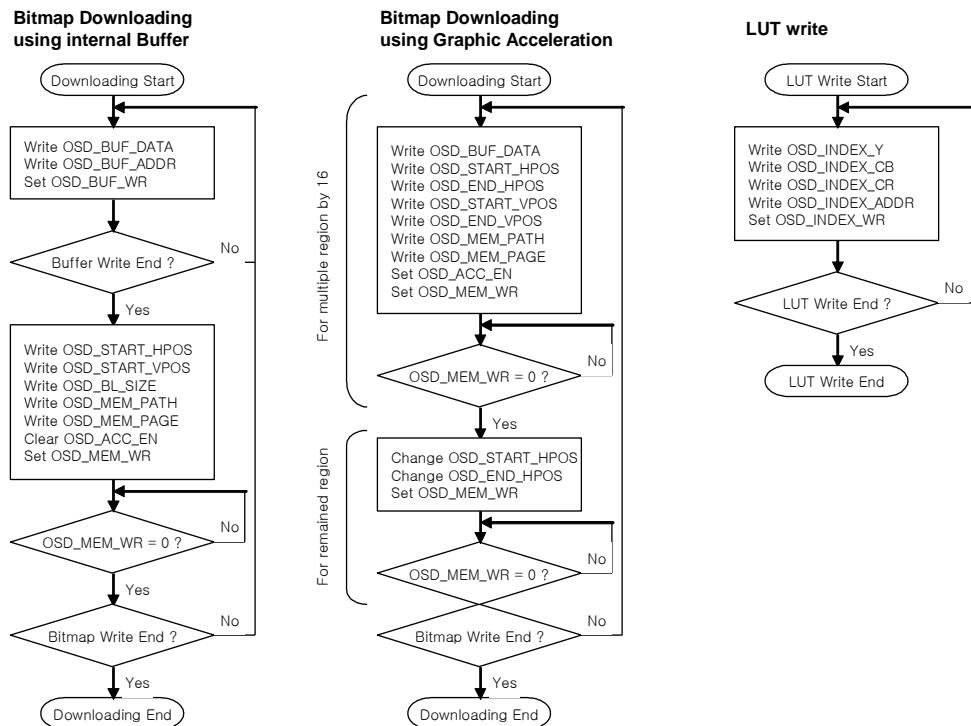


Fig 58 The flowchart for downloading data to display RAM

The field of bitmap is selected by the OSD_FLD (2x0F) register for display and record path. For OSD_FLD = "1" or "2", only one field data is displayed for both fields, but for OSD_FLD = "3", frame data is displayed so that the bitmap resolution can be enhanced 2 times in vertical direction. For display path, the TW2835 can read the bitmap data from the extended page of display RAM via the OSD_RD_PAGE (2x0F) register. It's useful to change bitmap data from pre-downloaded bitmap page.

The blink period is controlled via the TBLINK_OSD (2x1F) register as "0" for 0.25 sec, "1" for 0.5 sec, "2" for 1 sec, and "3" for 2 sec period. The alpha blending level is also controlled via ALPHA_OSD (2x1F) register as 25%, 50%, and 75%.

The TW2835 supports dual color LUT (Look-Up Table) with Y/Cb/Cr color space for display and record path via the OSD_INDEX_Y (2x0B), OSD_INDEX_CB (2x0C) and OSD_INDEX_CR (2x0D) register. The OSD_INDEX_ADDR (2x0E) register controls the writing position of LUT as "0 ~ 63" is for LUT of display path and "64 ~ 67" for record path. The update processing of color LUT is started by the OSD_INDEX_WR (2x0E) register that will be cleared automatically when downloading is finished.

The TW2835 also provides bitmap overlay function between display and record path via the OSD_OVL_MD (2x38) register as "0" for no overlay, "1" for low priority overlay, "2" for high priority overlay, and "3" for only the other path overlay. The following Fig 59 shows the bitmap overlay function between display and record path.

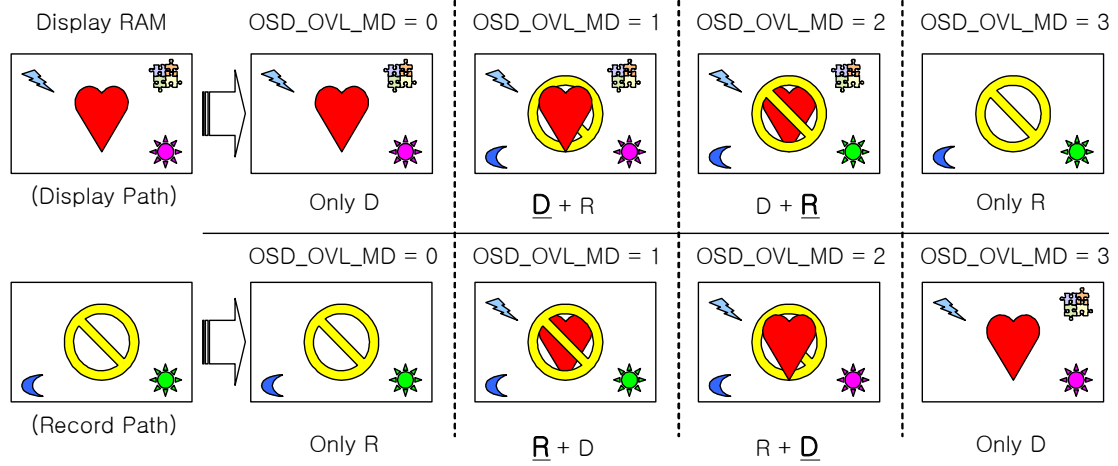


Fig 59 The bitmap overlay function between display and record path

Single Box

The TW2835 provides 4 single boxes that can be used for picture masking or box cursor. Each single box has programmable location and size parameters with the BOX_HL (2x22, 2x28, 2x2D, 2x34), BOX_HW (2x23, 2x29, 2x2E, 2x35), BOX_VT (2x24, 2x2A, 2x2F, 2x36) and BOX_VW (2x25, 2x2B, 2x30, 2x37) registers. The BOX_HL is the horizontal location of box with 2 pixel unit and the BOX_HW is the horizontal size of box with 2 pixel unit. The BOX_VT is the vertical location of box with 1 line unit and the BOX_VW is the vertical size of box with 1 line unit.

The BOX_PLNEN (2x20, 2x26, 2x2B, 2x32) register enables each plane color and its color is defined by the BOX_PLNCOL (2x21, 2x27, 2x2C, 2x33) register, which selects one out of 12 fixed colors or 4 user defined colors using the CLUT (2x13 ~ 2x1E) register. Each box plane can be mixed with video data via the BOX_PLNMIX (2x20, 2x26, 2x2B, 2x32) register and the alpha blending level is controlled via the ALPHA_BOX (2x1F) register.

The color of box boundary is enabled via the BOX_BNDEN (2x20, 2x26, 2x2B, 2x32) register and its color is defined by the BOX_BNDCOL (2x20, 2x26, 2x2B, 2x32) registers.

In case that several boxes have same region, there will be a conflict of what to display for that region. Generally the TW2835 defines that box 0 has priority over box 3. So if a conflict happens between more than 2 boxes, box 0 will be displayed first as top layer and box 1 to box 3 are hidden beneath that are not supported for pop-up attribute unlike channel display.

Mouse Pointer

The TW2835 supports the mouse pointer that has attributes such as pointer enabling, pointer location, blink and sub-layer enabling. The mouse pointer can be overlaid on both display and record path independently.

The mouse pointer is located in the full screen according to the CUR_HP (2x11) register with 2 pixel step and CUR_VP (2x12) register with 1 line step. Two kinds of mouse pointer are provided through the CUR_TYPE (2x10) register. The CUR_SUB (2x10) register determines a pointer inside area to be filled with 100% white or to be transparent and the CUR_BLINK (2x10) register controls a blink function of mouse. Actually the CUR_ON (2x10) register enables or disables the mouse pointer for display and record path independently.

Video Output

The TW2835 supports dual digital video outputs with ITU-R BT.656 format and 2 analog video outputs with built-in video encoder at the same time. Dual video controllers generate 4 kinds of video data such as the display path video data with/without OSD and the record path video data with/without the OSD. The CCIR_IN (1xA0) register selects one of 4 video data for the digital video output and ENC_IN (1xA0) register selects one of 4 video data for the analog video output as shown in Fig 60.

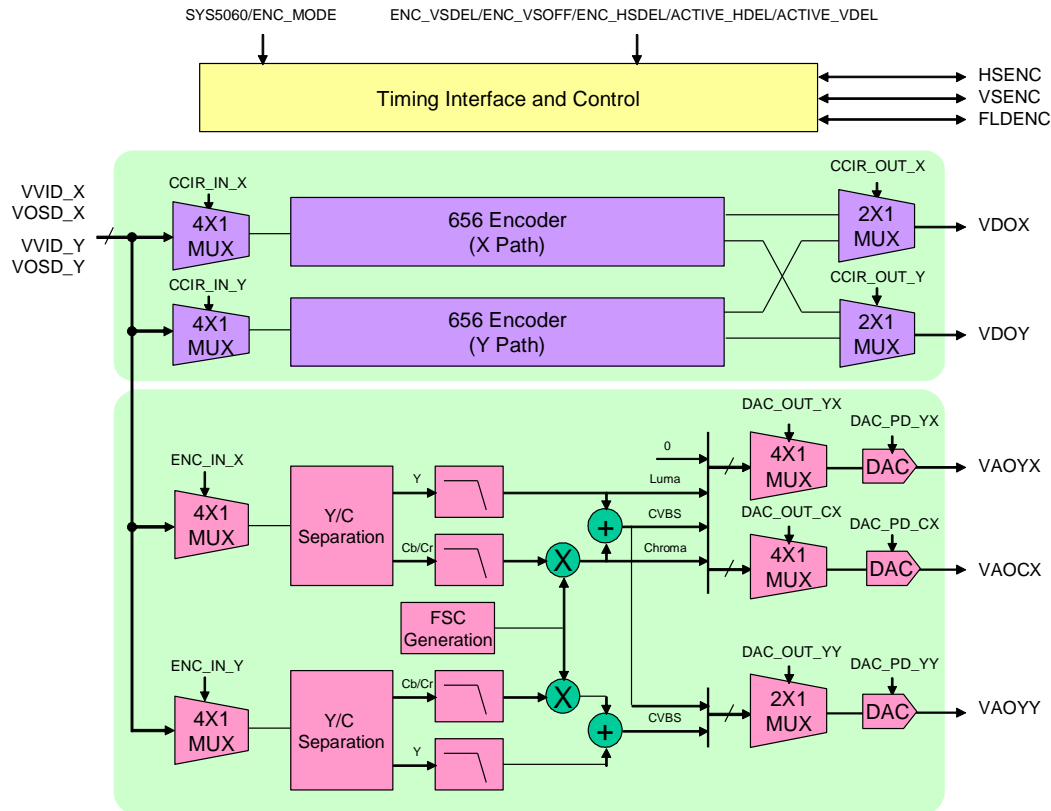


Fig 60 Video output selection

The TW2835 supports all NTSC and PAL standards for analog output, which can be composite video, or S-video video for both display and record path. All outputs can be operated as master mode to generate timing signal internally or slave mode to be synchronized with external timing.

Timing Interface and Control

The TW2835 can be operated in master or slave mode via the ENC_MODE (1xA4) register. In master mode, the TW2835 can generate all of timing signals internally while the TW2835 receives all of timing signals from external device in slaver mode. The polarity of horizontal, vertical sync and field flag can be controlled by the ENC_HSPOL, ENC_VSPOL and ENC_FLDPOL (1xA4) registers respectively for both master and slave mode. In slave mode, the TW2835 can detect field polarity from vertical sync and horizontal sync via the ENC_FLD (1xA4) register or can detect vertical sync from the field flag via the ENC_VS (1xA4) register. The detailed timing diagram is illustrated in the following Fig 61.

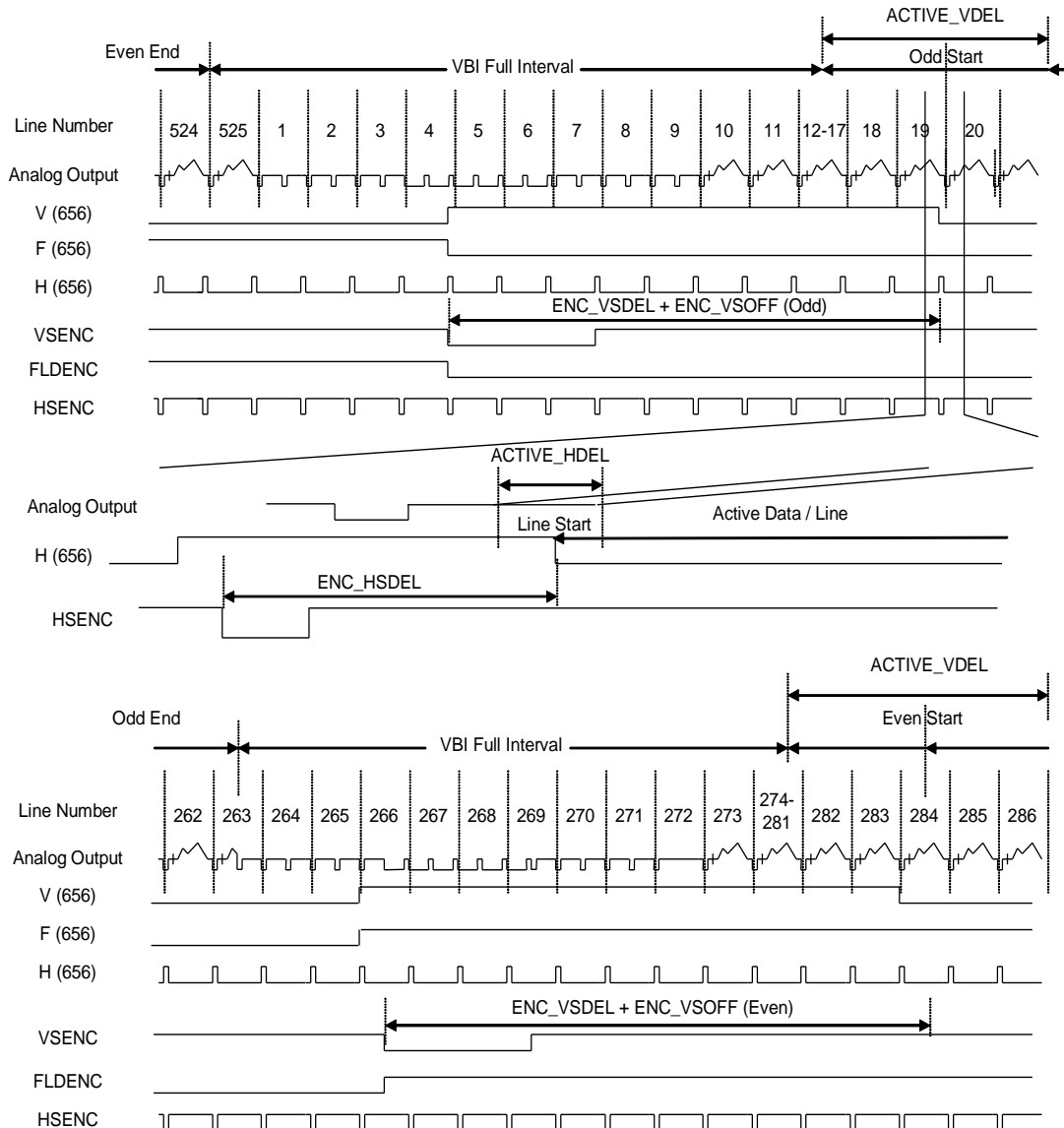


Fig 61 Horizontal and vertical timing control

The TW2835 provides or receives the timing signal through the HSENC, VSENC and FLDENC pins. To adjust the timing of those pins from video output, the TW2835 has the ENC_HSDEL (1xA6), ENC_VSDEL and ENC_VSOFF (1xA5) registers which control only the related signal

timing regardless of analog and digital video output. Likewise, by controlling the ACTIVE_VDEL (1xA7) and ACTIVE_HDEL (1xA8) registers, only active video period can be shifted on horizontal and vertical direction independently. The shift of active video period produces the cropped video image because the timing signal is not changed even though active period is moved. So this feature is restricted to adjust video location in monitor for example.

To control the analog video timing differently from digital video output, the ACTIVE_MD (1xA8) register can be used. For ACTIVE_MD = "1", both analog and digital output timing can be controlled together, but for ACTIVE_MD = "0", the active delay of only analog video output can be controlled independently.

In cascade application, these timing related register should be controlled with same value for all cascade chips and be operated as only master mode because HSENC and VSENC pin is dedicated to cascade purpose. (Please refer to "Chip-to-Chip Cascade Operation" section on page 76)

Analog Video Output

The TW2835 supports analog video output using built-in video encoder, which generates composite or S-video with three 10 bit DAC for display and record path. The incoming digital video are adjusted for gain and offset according to NTSC or PAL standard. Both the luminance and chrominance are band-limited and interpolated to 27MHz sampling rate for digital to analog conversion. The NTSC output can be selected to include a 7.5 IRE pedestal. The TW2835 also provides internal test color bar generation.

Output Standard Selection

The TW2835 supports various video standard outputs via the SYS5060 (1x00) and ENC_FSC, ENC_PHALT, ENC_PED (1xA9) registers as described in the following Table 7.

Table 7 Analog output video standards

| Format | Specification | | | Register | | | |
|-----------|---------------|----------|------------|----------|---------|-----------|---------|
| | Line/Fv (Hz) | Fh (KHz) | Fsc (MHz) | SYS5060 | ENC_FSC | ENC_PHALT | ENC_PED |
| NTSC-M | 525/59.94 | 15.734 | 3.579545 | 0 | 0 | 0 | 1 |
| NTSC-J | | | | | | | 0 |
| NTSC-4.43 | 525/59.94 | 15.734 | 4.43361875 | 0 | 1 | 0 | 1 |
| NTSC-N | 625/50 | 15.625 | 3.579545 | 1 | 0 | 0 | 0 |
| PAL-BDGHI | 625/50 | 15.625 | 4.43361875 | 1 | 1 | 1 | 0 |
| PAL-N | | | | | | | 1 |
| PAL-M | 525/59.94 | 15.734 | 3.57561149 | 0 | 2 | 1 | 0 |
| PAL-NC | 625/50 | 15.625 | 3.58205625 | 1 | 3 | 1 | 0 |
| PAL-60 | 525/59.94 | 15.734 | 4.43361875 | 0 | 1 | 1 | 0 |

If the ENC_ALTRST (1xA9) register is set to “1”, phase alternation can be reset every 8 field so that phase alternation keeps same phase every 8 field.

Luminance Filter

The bandwidth of luminance signal can be selected via the YBW (1xAA) register as shown in the following Fig 62.

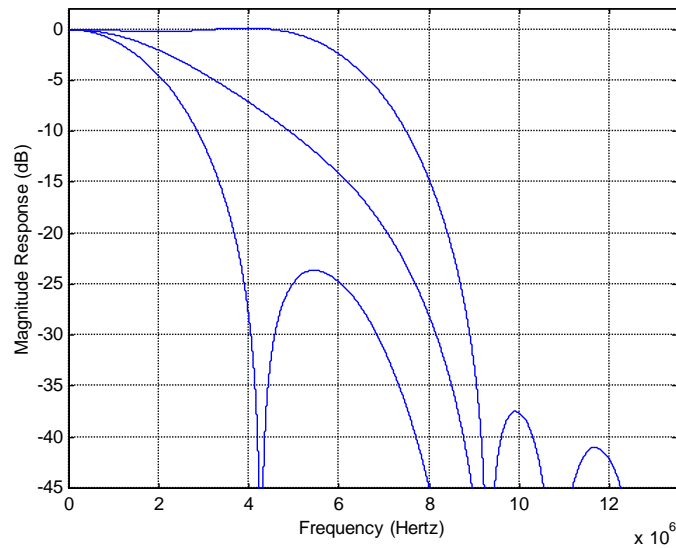


Fig 62 Characteristics of luminance filter

Chrominance Filter

The bandwidth of chrominance signal can be selected via the CBW (1xAA) register as shown in the following Fig 63.

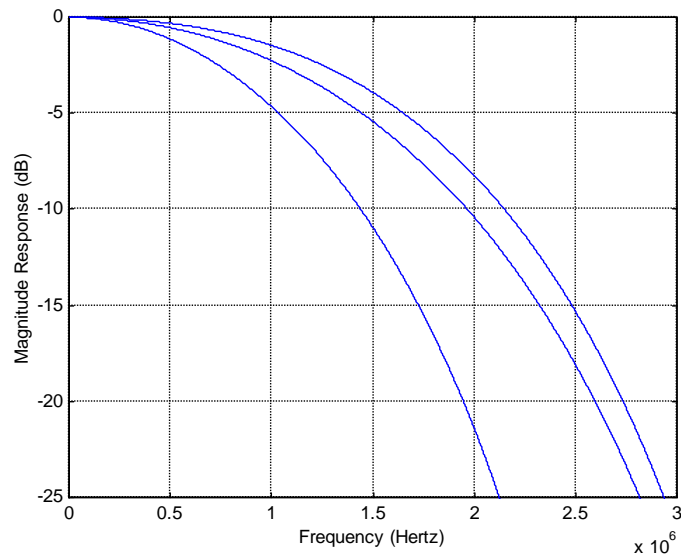


Fig 63 Characteristics of chrominance Filter

Digital-to-Analog Converter

The digital video data from video encoder is converted to analog video signal by DAC (Digital to Analog Converter). The analog video signal format can be selected for each DAC independently via the DAC_OUT_SEL (1xA1, 1xA2) register like the following Table 8. Each DAC can be

disabled independently to save power by the DAC_PD (1xA1, 1xA2) register. The video output gain can also be controlled via the VOGAIN (0x41, 0x42) register.

Table 8 The available output combination of DAC

| Path | | Display | | | | Record |
|--------|-------|-----------|------|------|--------|--------|
| Format | | No Output | CVBS | Luma | Chroma | CVBS |
| Output | VAOYX | O | O | O | O | X |
| | VAOCX | O | O | O | O | X |
| | VAOYY | O | O | X | X | O |

A simple reconstruction filter is required externally to reject noise as shown in the Fig 64.

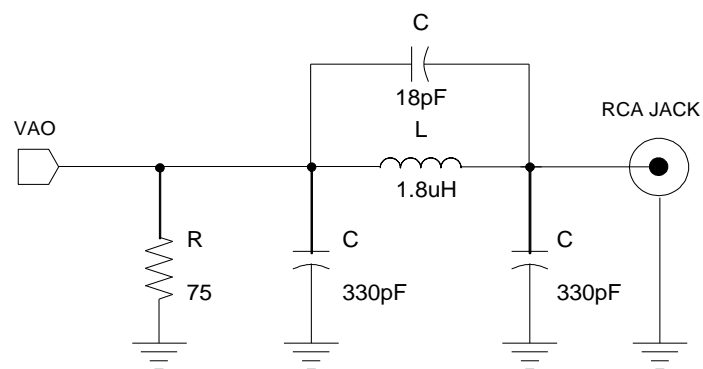


Fig 64 Example of reconstruction filter

Digital Video Output

The digital output data of ITU-R BT.656 format is synchronized with CLKVDOX/Y pin which is 27MHz for single output or 54MHz for dual output. Each digital data of display and record path can be output through VDOX and VDOY pin respectively on single output mode. For the dual output mode, both display and record path output can come out through only one VDOX or VDOY pin. The active video level of the ITU-R BT.656 can be limited to 1 ~ 254 via the CCIR_LMT (1xA4) register. In case that channel ID is located in active video period, the CCIR_LMT should be set to low for proper digital channel ID operation.

The following Table 9 shows the ITU-R BT.656 SAV and EAV code sequence.

Table 9 ITU-R BT.656 SAV and EAV code sequence

| | Line | | Condition | | | FVH | | | SAV/EAV Code Sequence | | | |
|-----------------|----------------------------|----------------------------|-----------|----------|------------|-----|---|---|-----------------------|--------|-------|--------|
| | From | To | Field | Vertical | Horizontal | F | V | H | First | Second | Third | Fourth |
| 60Hz (525Lines) | 523 (1 ¹) | 3 | EVEN | Blank | EAV | 1 | 1 | 1 | 0xFF | 0x00 | 0x00 | 0xF1 |
| | | | | | SAV | | | 0 | | | | 0xEC |
| | 4 | 19 | ODD | Blank | EAV | 0 | 1 | 1 | | | | 0xB6 |
| | | | | | SAV | | | 0 | | | | 0xAB |
| | 20 | 259 (263 ¹) | ODD | Active | EAV | 0 | 0 | 1 | | | | 0x9D |
| | | | | | SAV | | | 0 | | | | 0x80 |
| | 260 (264 ¹) | 265 | ODD | Blank | EAV | 0 | 1 | 1 | | | | 0xB6 |
| | | | | | SAV | | | 0 | | | | 0xAB |
| | 266 | 282 | EVEN | Blank | EAV | 1 | 1 | 1 | | | | 0xF1 |
| | | | | | SAV | | | 0 | | | | 0xEC |
| | 283 | 522 (525 ¹) | EVEN | Active | EAV | 1 | 0 | 1 | | | | 0xDA |
| | | | | | SAV | | | 0 | | | | 0xC7 |
| 50Hz (625Lines) | 1 | 22 | ODD | Blank | EAV | 0 | 1 | 1 | 0xFF | 0x00 | 0x00 | 0xB6 |
| | | | | | SAV | | | 0 | | | | 0xAB |
| | 23 | 310 | ODD | Active | EAV | 0 | 0 | 1 | | | | 0x9D |
| | | | | | SAV | | | 0 | | | | 0x80 |
| | 311 | 312 | ODD | Blank | EAV | 0 | 1 | 1 | | | | 0xB6 |
| | | | | | SAV | | | 0 | | | | 0xAB |
| | 313 | 335 | EVEN | Blank | EAV | 1 | 1 | 1 | | | | 0xF1 |
| | | | | | SAV | | | 0 | | | | 0xEC |
| | 336 | 623 | EVEN | Active | EAV | 1 | 0 | 1 | | | | 0xDA |
| | | | | | SAV | | | 0 | | | | 0xC7 |
| | 624 | 625 | EVEN | Blank | EAV | 1 | 1 | 1 | | | | 0xF1 |
| | | | | | SAV | | | 0 | | | | 0xEC |

Note 1. The number of () is ITU-R BT. 656 standard. The TW2835 also supports this standard by CCIR_STD register (1xA8 Bit[6]).

The TW2835 also supports ITU-R BT.601 interface through the VDOX and VDOY pin.

Single Output Mode

For the single output mode, each digital output data in display and record path can be output at 27MHz ITU-R BT 656 interface through VDOX and VDOY pin that are synchronized with CLKVDOX and CLKVDOY. The output data is selected by the CCIR_OUT (1xA3) register which

selects the display path data for “0” and record path data for “1”. The timing diagram of single output mode for ITU-R BT.656 interface is shown in the following Fig 65.

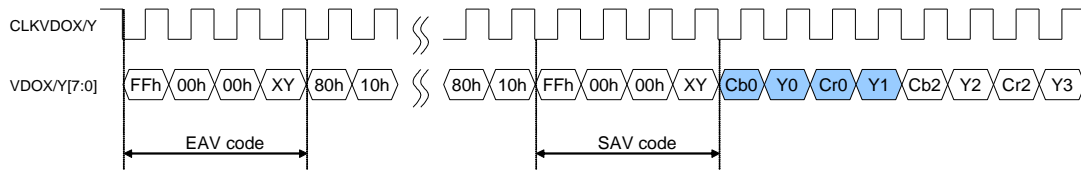


Fig 65 Timing diagram of single output mode for 656 Interface

The TW2835 also supports 13.5MHz ITU-R BT 601 interface through VDOX and VDOY pin via the CCIR_601 (1x A3) register. The output data is selected via the CCIR_OUT register which chooses the display path data for “0” and record path data for “1”. The timing diagram of single output mode for ITU-R BT 601 interface is shown in the following Fig 66.

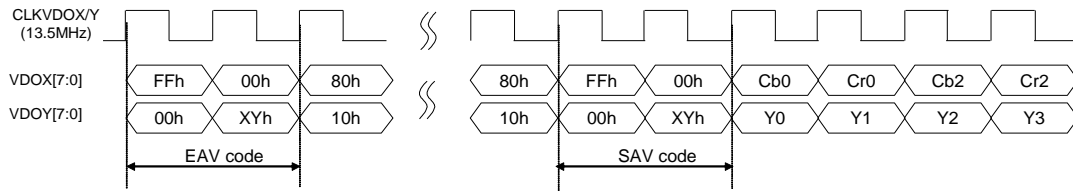


Fig 66 Timing diagram of single output mode for 601 Interface

The video output is synchronized with CLKVDOX and CLKVDOY pins whose phase and frequency can be controlled by the ENC_CLK_FR_X, ENC_CLK_FR_Y, ENC_CLK_PH_X and ENC_CLK_PH_Y (1x AD) registers.

Dual Output Mode

The TW2835 also supports dual output mode that is time-multiplexed with display and record path data at 54MHz clock rate. The sequence is related with the CCIR_OUT (1xA3) register that the display path data precedes the record path for CCIR_OUT = “2” and the record path data precedes the display path for CCIR_OUT = “3”. This mode is useful to reduce number of pins for interface with other devices. The timing diagram of dual output mode for ITU-R BT 656 interface is illustrated in the Fig 67.

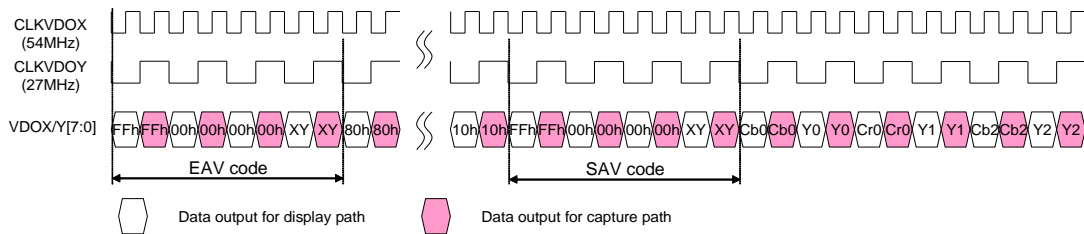


Fig 67 Timing diagram of dual output mode for 656 Interface

The TW2835 also supports dual output mode with 13.5MHz ITU-R BT 601 interface that is timing multiplexed to 27MHz through VDOX and VDOY pin via the CCIR_601 (1xA3) register. The sequence is determined by the CCIR_OUT register like 54MHz ITU-R BT.656 interface. The timing diagram of single output mode for ITU-R BT 601 interface is shown in the following Fig 68.

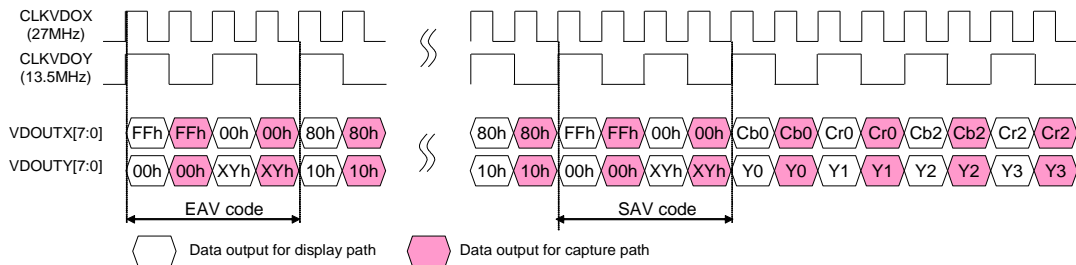


Fig 68 Timing diagram of dual output mode for 601 Interface

The video output is synchronized with CLKVDOX and CLKVDOY pins whose polarity and frequency can be controlled by the ENC_CLK_FR_X, ENC_CLK_FR_Y, ENC_CLK_PH_X and ENC_CLK_PH_Y registers.

Audio CODEC

The audio codec in the TW2835 is composed of 4 audio Analog-to-Digital converters, 1 Digital-to-Analog converter, audio mixer, digital serial audio interface and audio detector shown as the Fig 69. The TW2835 can accept 4 analog audio signals and 1 digital serial audio data and produce 1 mixing analog audio signal and 2 digital serial audio data.

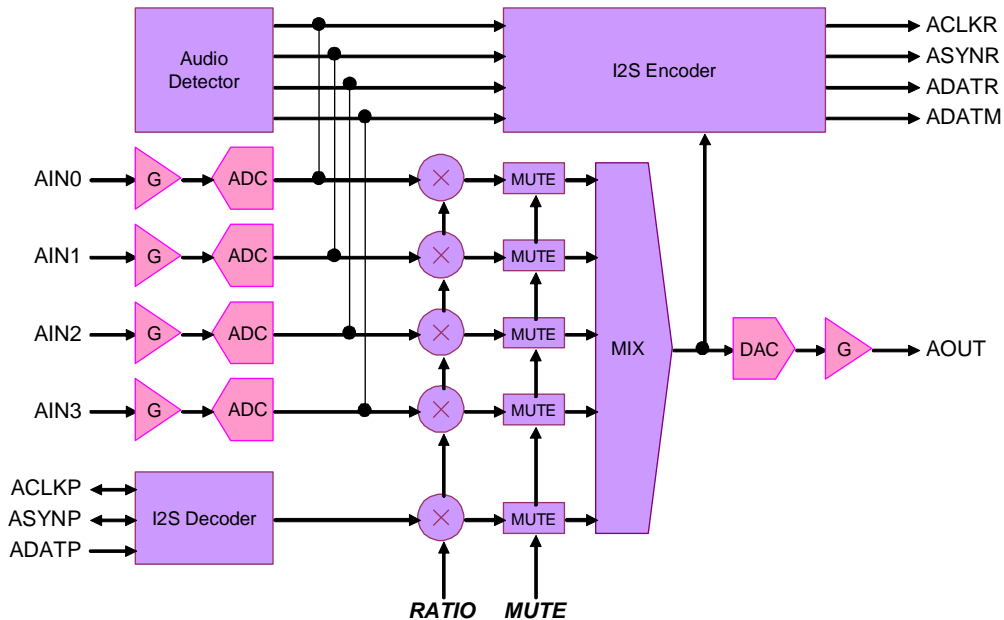


Fig 69 Block Diagram of Audio Codec

The level of analog audio input signal AIN0 ~ AIN3 can be adjusted respectively by internal programmable gain amplifiers that are defined via the AIGAIN0, AIGAIN1, AIGAIN1 and AIGAIN3 (0x60, 0x61) registers and then sampled by each Analog-to-Digital converters. The digital serial audio input data through the ACLKP, ASYNP and ADATP pin are used for playback function. To record audio data, the TW2835 provides the digital serial audio output via the ACLKR, ASYNR and ADATR pin.

The TW2835 can mix all of audio inputs including analog audio signal and digital audio data according to the predefined mixing ratio for each audio via the MIX_RATIO1 ~ MIX_RATIO4 and MIX_RATIO0 (0x6E, 0x6F, and 0x70) registers. This mixing audio output can be provided through the analog and digital interfaces. The embedded audio Digital-to-Analog converter supports the analog mixing audio output whose level can be controlled by programmable gain amplifier via the AOGAIN (0x70) register. The ADATM pin supports the digital mixing audio output and its digital serial audio timings are provided through the ACLKR and ASYNR pins that are shared with the digital serial audio record timing pins.

Multi-Chip Operation

The TW2835 can be operated with the cascaded connection up to 16 chips that accept 64 channel audio inputs. The Fig 70 shows the example of 16 channel audio connection using 4 chips.

Each stage chip can accept 4 analog audio signals so that four cascaded chips through the ADATP and ADATM pin will be 16 channels audio controller. The first stage chip provides 16ch digital serial audio data for record. Even though the first stage chip has only 1 digital serial audio data pin ADATR for record, the TW2835 can generate 16 channel data simultaneously using multi-channel method. Also, each stage chip can support 4 channel record outputs that are corresponding with analog audio inputs. This first stage chip can also output 16 channel mixing audio data by the digital serial audio data and analog audio signal. Each chip accepts the digital serial audio data for playback and converts it to analog signal through the Digital-to-Analog Converter.

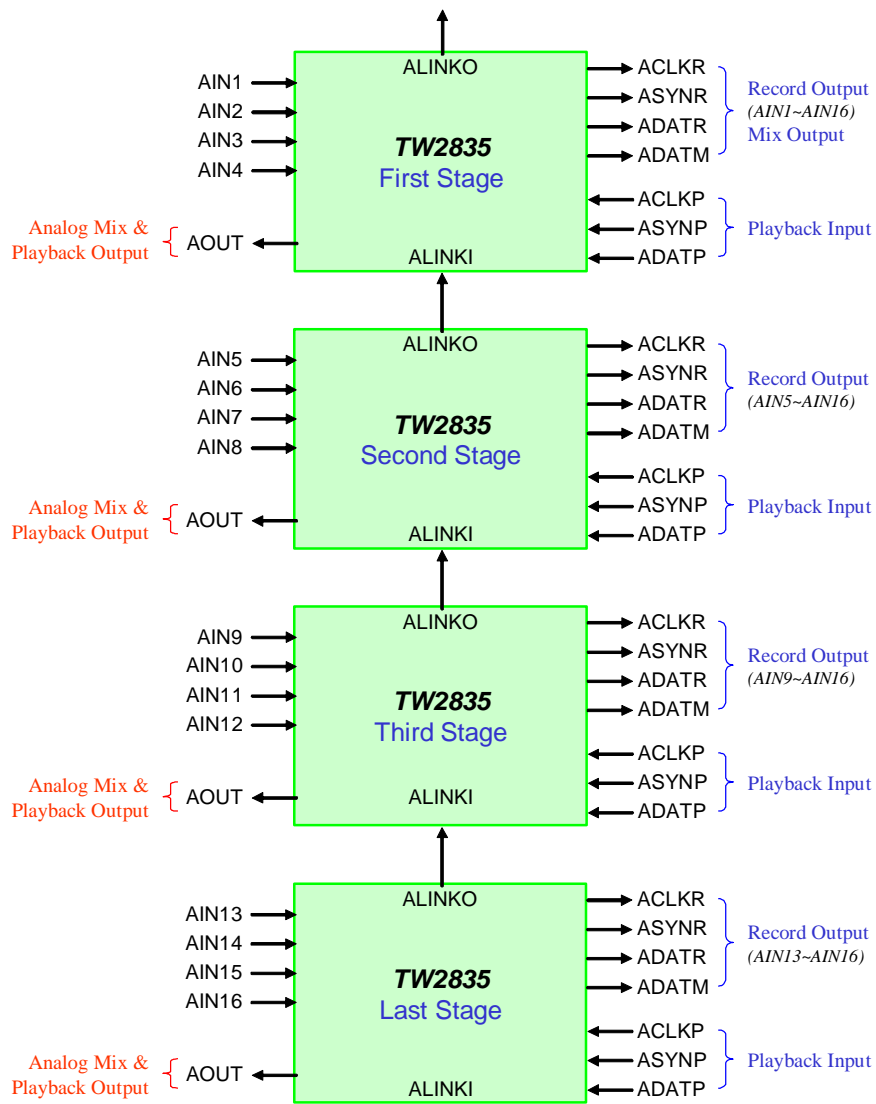
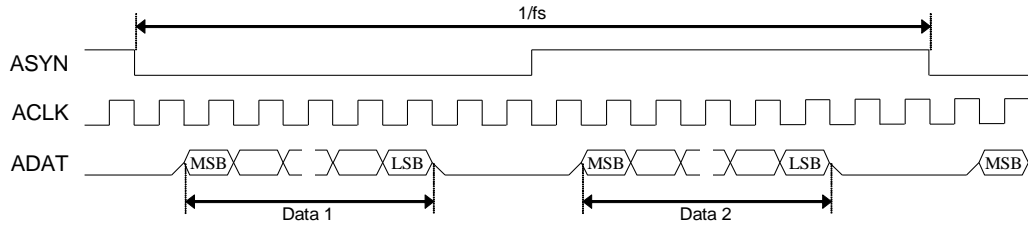


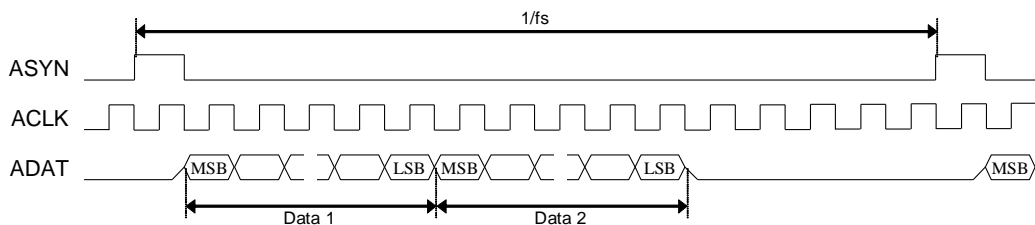
Fig 70 Connection for Multi-chip Operation

Serial Audio Interface

There are 3 kinds of digital serial audio interfaces in the TW2835, the first is a recording output, the second is a mixing output and the third is a playback input. These 3 digital serial audio interfaces follow a standard I2S or DSP interface as shown in the Fig 71.



(a) I2S Format



(b) DSP Format

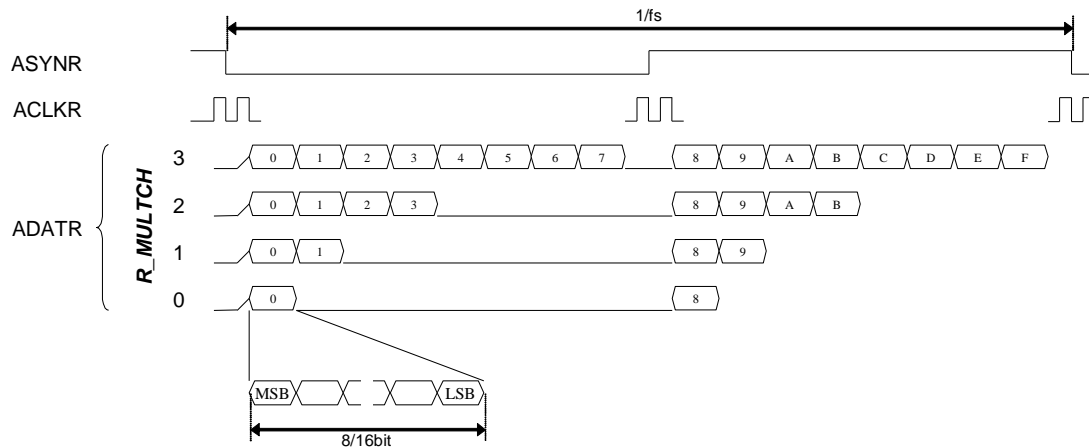
Fig 71 Timing Chart of Serial Audio Interface

Playback Input

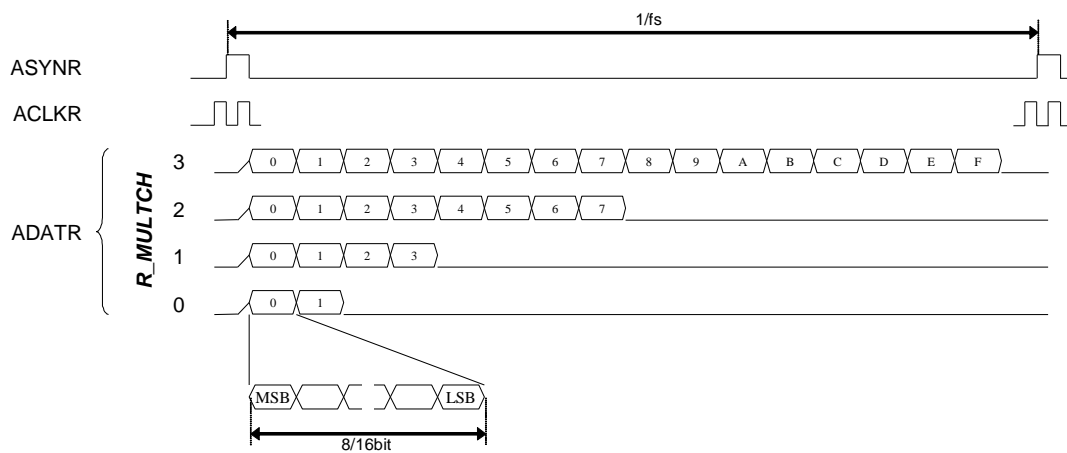
The serial interface using the ACLKP, ASYNP and ADATP pins accepts the digital serial audio data for the playback purpose. The ACLKP and ASYNP pins can be operated as master or slaver mode. For master mode, these pins work as output pin and generate the standard audio clock and synchronizing signal. For slaver mode, these pins are input mode and accept the standard audio clock and synchronizing signal. The ADATP pin is always input mode regardless of operating mode. One of audio data in left or right channel should be selected for playback audio by the PB_LRSEL (0x6C). The sampling frequency, bit width and number of audio bit are defined by the PB_SAMRATE, PB_BITWID and PB_BITRATE (0x6C) register.

Record Output

To record audio data, the TW2835 provides the digital serial audio data through the ACLKR, ASYNR and ADATR pins. The RM_SAMRATE, RM_BITWID and RM_BITRATE(0x62) registers define the sampling frequency, bit width and number of audio bit. Even though the standard I2S and DSP format can have only 2 audio data on left and right channel, the TW2835 can provide an extended I2S and DSP format which can have 16 channel audio data through ADATR pin. The R_MULTCH (0x63) defines the number of audio data to be recorded by the ADATR pin. The Fig 72 shows the digital serial audio data organization for multi-channel audio.



(a) I2S Format



(b) DSP Format

Fig 72 Timing Chart of Multi-channel Audio Record

The following Table 10 shows the sequence of audio data to be recorded for each mode of the R_MULTCH (0x63) register. The sequences of 0 ~ F do not mean actual audio channel number but represent sequence only. The actual audio channel should be assigned to sequence 0 ~ F by the R_SEQ_0 ~ R_SEQ_F (0x64 ~ 0x6B) register. When the ADATM pin is used for record via the R_ADATM (0x63) register, the audio sequence of ADATM is showed also in Table 10.

Table 10 Sequence of Multi-channel Audio Record

| I2S Format | | | | | | | | | | | | | | | | | |
|------------|-------|--------------------|---|---|---|---|---|---|---|---------------|---|---|---|---|---|---|---|
| R_MULTCH | Pin | Left Channel | | | | | | | | Right Channel | | | | | | | |
| 0 | ADATR | 0 | | | | | | | | 8 | | | | | | | |
| | ADATM | F | | | | | | | | 7 | | | | | | | |
| 1 | ADATR | 0 | 1 | | | | | | | 8 | 9 | | | | | | |
| | ADATM | F | E | | | | | | | 7 | 6 | | | | | | |
| 2 | ADATR | 0 | 1 | 2 | 3 | | | | | 8 | 9 | A | B | | | | |
| | ADATM | F | E | D | C | | | | | 7 | 6 | 5 | 4 | | | | |
| 3 | ADATR | 0 | 1 | 2 | 3 | 4 | 5 | 6 | 7 | 8 | 9 | A | B | C | D | E | F |
| | ADATM | F | E | D | C | B | A | 9 | 8 | 7 | 6 | 5 | 4 | 3 | 2 | 1 | 0 |
| DSP Format | | | | | | | | | | | | | | | | | |
| R_MULTCH | Pin | Left/Right Channel | | | | | | | | | | | | | | | |
| 0 | ADATR | 0 | 1 | | | | | | | | | | | | | | |
| | ADATM | F | E | | | | | | | | | | | | | | |
| 1 | ADATR | 0 | 1 | 2 | 3 | | | | | | | | | | | | |
| | ADATM | F | E | D | C | | | | | | | | | | | | |
| 2 | ADATR | 0 | 1 | 2 | 3 | 4 | 5 | 6 | 7 | | | | | | | | |
| | ADATM | F | E | D | C | B | A | 9 | 8 | | | | | | | | |
| 3 | ADATR | 0 | 1 | 2 | 3 | 4 | 5 | 6 | 7 | 8 | 9 | A | B | C | D | E | F |
| | ADATM | F | E | D | C | B | A | 9 | 8 | 7 | 6 | 5 | 4 | 3 | 2 | 1 | 0 |

Mix Output

The digital serial audio data on the ADATM pin has 2 different audio data which are mixing audio and playback audio. The mixing digital serial audio data is the same as analog mixing output. The sampling frequency, bit width and number of audio for the ADATM pin are same as the ADATR pin because the ACLKR and ASYNR pins are shared with the ADATR and ADATM pins.

Analog Audio Output

The embedded audio Digital-to-Analog converter supports the analog mixing audio output whose level can be controlled via the AOGAIN (0x70) register. The audio DAC output can be disabled to save power by the ADAC_PD (0x4C) register. A simple reconstruction filter is required externally to reject noise as shown in the Fig 64.

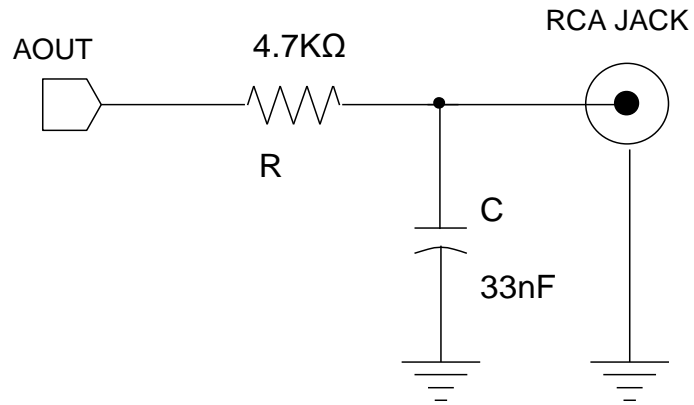


Fig 73 Example of audio DAC reconstruction filter

Host Interface

The TW2835 provides serial and parallel interfaces that can be selected by HSPB pin. When HSPB is low, the parallel interface is selected, the serial interface for high. Some of the interface pins serve a dual purpose depending on the working mode. The pins HALE and HDAT [7] in parallel mode become SCLK and SDAT pins in serial mode and the pins HDAT [6:1] and HCSB0 in parallel mode become slave address in serial mode respectively. Each interface protocol is shown in the following figures.

Table 11 Pin assignments for serial and parallel interface

| Pin Name | Serial Mode | Parallel Mode |
|----------|------------------|---------------|
| HSPB | HIGH | LOW |
| HALE | SCLK | AEN |
| HRDB | Not Used (VSSO) | RENB |
| HWRB | Not Used (VSSO) | WENB |
| HCSB0 | Slave Address[0] | CSB0 |
| HCSB1 | Not Used (VSSO) | CSB1 |
| HDAT[0] | Not Used (VSSO) | PDATA[0] |
| HDAT[1] | Slave Address[1] | PDATA[1] |
| HDAT[2] | Slave Address[2] | PDATA[2] |
| HDAT[3] | Slave Address[3] | PDATA[3] |
| HDAT[4] | Slave Address[4] | PDATA[4] |
| HDAT[5] | Slave Address[5] | PDATA[5] |
| HDAT[6] | Slave Address[6] | PDATA[6] |
| HDAT[7] | SDAT | PDATA[7] |

Serial Interface

HDAT [6:1] and HCSB0 pins define slave address in serial mode. Therefore, any slave address can be assigned for full flexibility. The Fig 74 shows an illustration of serial interface for the case of slave address (Read : "0x85", Write : 0x84").

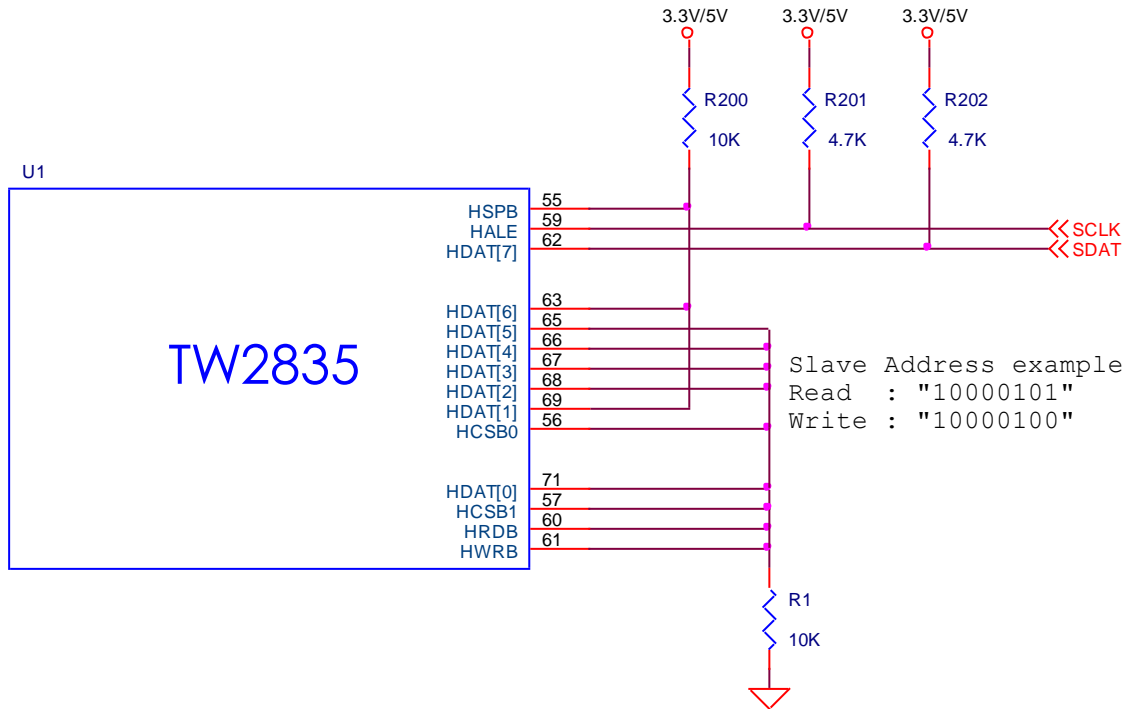


Fig 74 The serial interface for the case of slave address. (Read : "0x85", Write : "0x84")

The TW2835 has total 3 pages for registers (1 page can contain 256 registers) so that the page index [1:0] is used for selecting page of registers. Page 0 is assigned for video decoder, Page 1 is for video controller / encoder and Page 2 is for OSD / motion detector / Box / Mouse pointer.

The detailed timing diagram is illustrated in the Fig 75 and Fig 76.

The TW2835 also supports automatic index increment so that it can read or write continuous multi-bytes without restart. Therefore, the host can read or write multiple bytes in sequential order without writing additional slave address, page index and index address. The data transfer rate on the bus is up to 400K bits/s.

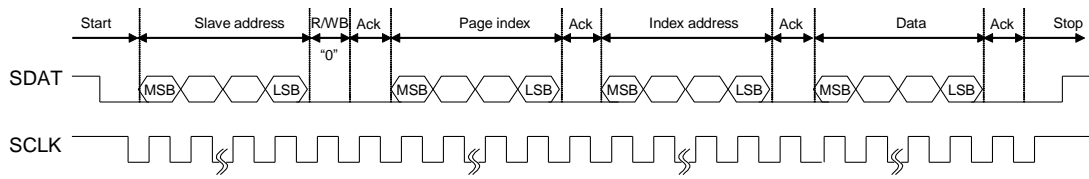


Fig 75 Write timing of serial interface

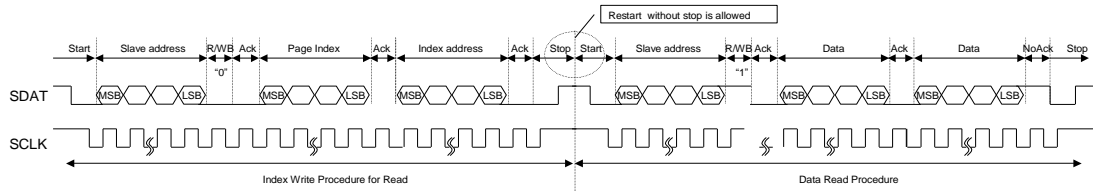


Fig 76 Read timing of serial interface

Parallel Interface

In parallel interface, page of registers can be selected by CSB0 and CSB1 pins, which are working as page index [1:0] in serial interface. Page number 0 is selected by CSB1 = "0" and CSB0 = "0", page number 1 is by CSB1 = "0" and CSB0 = "1", and page number 2 is by CSB1 = "1" and CSB0 = "0". The TW2835 also supports automatic index increment for parallel interface. The writing and reading timing is shown in the Fig 77 and Fig 78 respectively. The detail timing parameters are in Table 12.

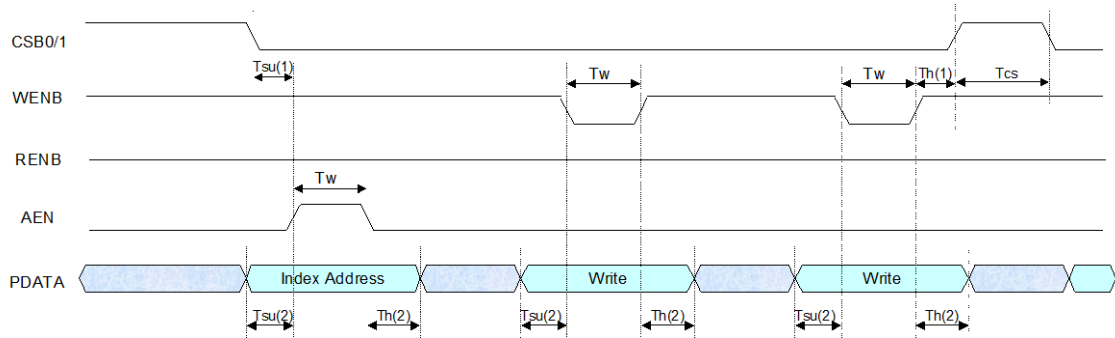


Fig 77 Write timing of parallel interface with auto index increment mode

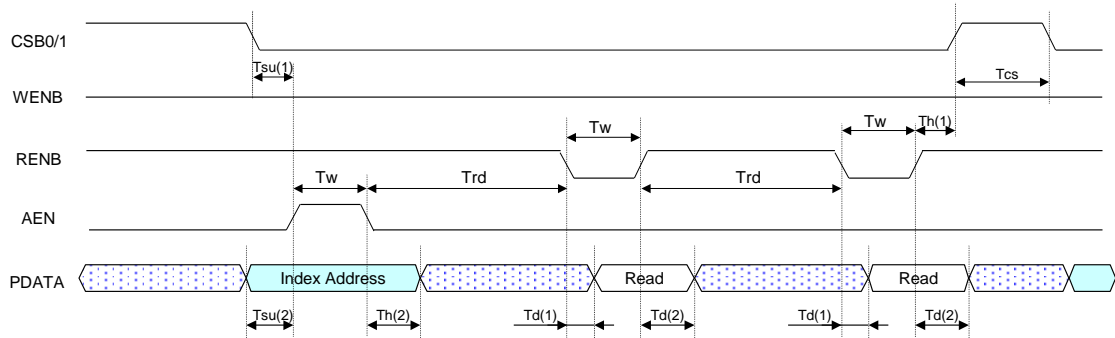


Fig 78 Read timing of parallel interface with auto index increment mode

Table 12 Timing parameters of parallel interface

| Parameter | Symbol | Min | Typ | Max | Units |
|---|--------|-----|-----|-----|-------|
| CSB setup until AEN active | Tsu(1) | 10 | | | ns |
| PDATA setup until AEN,WENB active | Tsu(2) | 10 | | | ns |
| AEN, WENB, RENB active pulse width | Tw | 40 | | | ns |
| CSB hold after WENB, RENB inactive | Th(1) | 60 | | | ns |
| PDATA hold after AEN,WENB inactive | Th(2) | 20 | | | ns |
| PDATA delay after RENB active | Td(1) | | | 12 | ns |
| PDATA delay after RENB inactive | Td(2) | 60 | | | ns |
| CSB inactive pulse width | Tcs | 60 | | | ns |
| RENB active delay after AEN inactive RENB active delay after RENB inactive | Trd | 60 | | | ns |

Interrupt Interface

The TW2835 provides the interrupt request function via an IRQ pin. Any video loss, motion, blind, and night detection will make IRQ pin high or low whose polarity can be controlled via the IRQ_POL (1x76) register. The host can distinguish what event makes interrupt request to IRQ pin by reading the status of IRQENA_NOVID (1x78), IRQENA_MD (1x79), IRQENA_BD (1x7A) and IRQENA_ND (1x7B) registers that have different function for reading and writing. For writing mode, setting “1” to those registers enables to detect the related event. For reading mode, the state of those registers has two kinds of information depending on the IRQENA_RD (1x76) register. For IRQENA_RD = “1”, the state of those registers indicates the written value on the writing mode. For IRQENA_RD = “0”, the state of those registers denotes the related event status. The interrupt request will be cleared automatically by reading those registers when the IRQENA_RD is “0”. The following Fig 79 is show an illustration of the interrupt sequence.

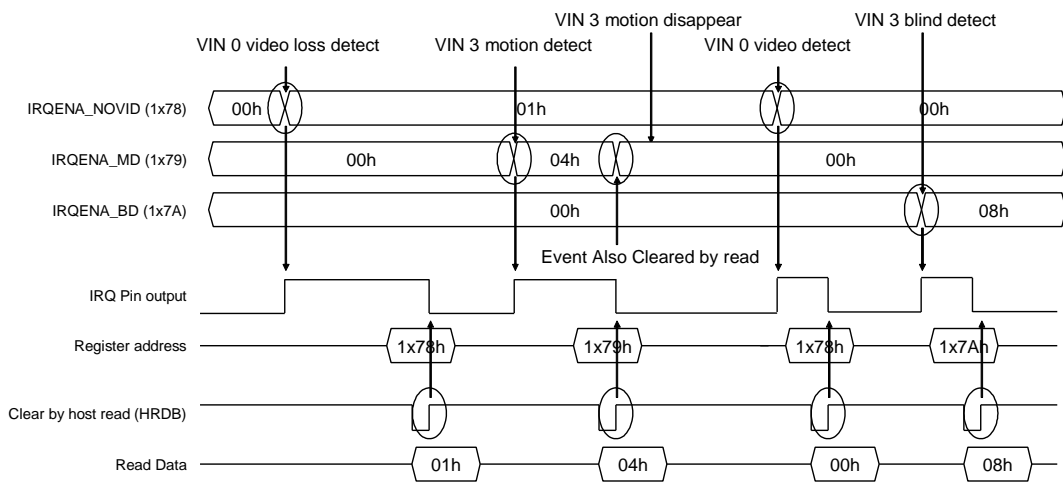


Fig 79 the illustration of Interrupt Sequence

The TW2835 also provides the status of video loss, motion, blind and night detection for individual channel through the MPP0/1 pins with the control of the MPPSET (1xB0, 1xB1, 1xB3, 1xB5) register.

MPP Pin Interface

The TW2835 provides the multi-purpose pin through the DLINK1 and MPP1/2 pin that is controlled via the MPP_MD, MPP_SET, MPP_DATA (1xB0 ~ 1xB5) register. But, DLINK pin is also used for cascaded interconnection in cascaded application. The following Table 13 shows the detailed mode with the control of the related register.

Table 13 MPP Pin Interface Mode

| MPP_MD | MPP_SET | I/O | MPP_DATA | Remark |
|--------|----------|-----------------------------|----------------------|--------------------------|
| 0 | 0 | In | Input Data from Pin | Default |
| | 1 | Out | Strobe_det_c | Capture path |
| | 2 | | CHID_MUX[3:0] | |
| | 3 | | CHID_MUX[7:4] | |
| | 4 | | Mux_out_det[15:12] | |
| | 5 – 7 | | - | Reserved |
| | 8 | | Strobe_det_d | Display Path |
| | 9 – 13 | - | Reserved | |
| | 14 | {1'b0, H, V, F} | BT. 656 Sync | |
| | 15 | {hsync, vsync, field, link} | Analog Encoder Sync | |
| 1 | 0 | Out | Write Data to Pin | GPP I/O Mode |
| | 1 | In | Input Data from Pin | |
| 2 | 0 | Out | Decoder H Sync | Bit[3:0] : VIN3 ~ VIN0 |
| | 1 | | Decoder V Sync | |
| | 2 | | Decoder Field Sync | |
| | 3 | | Decoder Ch 0/1 [7:4] | MSB for Ch 0/1 |
| | 4 | | Decoder Ch 0/1 [3:0] | LSB for Ch 0/1 |
| | 5 | | Decoder Ch 2/3 [7:4] | MSB for Ch 2/3 |
| | 6 | | Decoder Ch 2/3 [3:0] | LSB for Ch 2/3 |
| | 7 | | - | Reserved |
| | 8 | | Novid_det_m | For VINA (ANA_SW = 0) |
| | 9 | | Md_det_m | |
| | 10 | | Bd_det_m | |
| | 11 | | Nd_det_m | |
| | 12 | | Novid_det_s | For VINB (ANA_SW = 1) |
| | 13 | | Md_det_s | |
| | 14 | | Bd_det_s | |
| 15 | Nd_det_s | | | |

The TW2835 also supports four channel real-time record output using MPP1 and MPP2 pin. The video output is synchronized with CLKMPP1 and CLKMPP2 pins whose polarity and frequency can be controlled via the DEC_CLK_FR_X, DEC_CLK_FR_Y, DEC_CLK_PH_X and DEC_CLK_PH_Y registers.

Control Register

Register Map

For Video Decoder

| Address | | | | BIT7 | BIT6 | BIT5 | BIT4 | BIT3 | BIT2 | BIT1 | BIT0 | | |
|---------|------------|------|----------|------------------|---------|---------------|--------------|------------------|-------------|-----------------|-------------|--|--|
| VIN0 | VIN1 | VIN2 | VIN3 | | | | | | | | | | |
| 0x00 | 0x10 | 0x20 | 0x30 | DET_FORMAT * | | | DET_COLOR * | LOCK_COLOR * | LOCK_GAIN * | LOCK_OFST * | LOCK_HPLL * | | |
| 0x01 | 0x11 | 0x21 | 0x31 | IFMTMAN | IFORMAT | | | AGC | PEDEST | DET_NONSTD * | DET_FLD60 * | | |
| 0x02 | 0x12 | 0x22 | 0x32 | HDELAY_XY [7:0] | | | | | | | | | |
| 0x03 | 0x13 | 0x23 | 0x33 | HACTIVE_XY [7:0] | | | | | | | | | |
| 0x04 | 0x14 | 0x24 | 0x34 | VDELAY_XY [7:0] | | | | | | | | | |
| 0x05 | 0x15 | 0x25 | 0x35 | VACTIVE_XY [7:0] | | | | | | | | | |
| 0x06 | 0x16 | 0x26 | 0x36 | 0 | 0 | VACTIVE_XY[8] | VDELAY_XY[8] | HACTIVE_XY [9:8] | | HDELAY_XY [9:8] | | | |
| 0x07 | 0x17 | 0x27 | 0x37 | HUE | | | | | | | | | |
| 0x08 | 0x18 | 0x28 | 0x38 | SAT | | | | | | | | | |
| 0x09 | 0x19 | 0x29 | 0x39 | CONT | | | | | | | | | |
| 0x0A | 0x1A | 0x2A | 0x3A | BRT | | | | | | | | | |
| 0x0B | 0x1B | 0x2B | 0x3B | YBWI | COMBMD | | YPEAK_MD | YPEAK_GN | | | | | |
| 0x0C | 0x1C | 0x2C | 0x3C | 0 | 0 | CKILL | CTL_GN | | | | | | |
| 0x0D | 0x1D | 0x2D | 0x3D | 0 | 0 | 0 | 0 | ANA_SW | SW_RESET | WPEAK_MD | | | |
| 0x0E | 0x1E | 0x2E | 0x3E | 0 | 0 | 0 | 1 | 0 | 0 | 0 | 1 | | |
| 0x40 | PB_SDEL | | | WPEAK_REF | | | WPEAK_RNG | | WPEAK_TIME | | | | |
| 0x41 | MPPCLK_OEB | | VOGAINCX | | | 0 | | VOGAINYX | | | | | |
| 0x42 | 0 | | 0 | | 0 | | 0 | | VOGAINYY | | | | |
| 0x43 | 0 | | 1 | | 0 | | 0 | | GNTIME | | OSTIME | | |
| 0x44 | 1 | | 0 | | HSWIDTH | | | | | | | | |
| 0x45 | FLDMODE | | | VSMODE | | FLDPOL | | HSPOL | | VSPOL | | | |
| 0x46 | IFCOMP | | | CLPF | | | ACCTIME | | APCTIME | | | | |
| 0x47 | 0 | | 1 | | C_CORE | | 0 | | CDEL | | | | |
| 0x48 | U_GAIN | | | | | | | | | | | | |
| 0x49 | V_GAIN | | | | | | | | | | | | |
| 0x4A | U_OFF | | | | | | | | | | | | |
| 0x4B | V_OFF | | | | | | | | | | | | |
| 0x4C | 0 | | 0 | | ADAC_PD | | AADC_PD | | VADC_PD3 | | VADC_PD2 | | |
| 0x4D | 0 | | 0 | | 0 | | 0 | | NOVID_MD | | 1 | | |
| 0x4E | 0 | | 0 | | 0 | | 0 | | 1 | | 0 | | |
| 0x4F | 0 | | 0 | | 0 | | 0 | | 0 | | 0 | | |
| 0x50 | 0 | | 0 | | 0 | | 0 | | 0 | | 0 | | |
| 0x51 | 1 | | 0 | | 0 | | 0 | | 0 | | 0 | | |
| 0x52 | 0 | | 0 | | 0 | | 0 | | 1 | | 0 | | |
| 0x53 | 0 | | 0 | | 0 | | 0 | | 0 | | 0 | | |
| 0x54 | 0 | | 0 | | 0 | | 0 | | 0 | | 0 | | |
| 0x55 | FLD | | | | | | VAV | | | | | | |
| 0x60 | AIGAIN1 | | | | | | AIGAIN0 | | | | | | |

For Video Decoder

| Address | | | | BIT7 | BIT6 | BIT5 | BIT4 | BIT3 | BIT2 | BIT1 | BIT0 | | | | | | | | |
|---------|------|------|------|------------|------|-------------|------|------------------|------|------------|------|----------------|--|---------------|--|------------------|--|-----------------|--|
| VIN0 | VIN1 | VIN2 | VIN3 | | | | | | | | | | | | | | | | |
| 0x61 | | | | AIGAIN3 | | | | AIGAIN2 | | | | | | | | | | | |
| 0x62 | | | | M_PBSEL | | M_RLSWAP | | RM_BITRATE | | RM_DATMOD | | RM_SAMRATE | | RM_BITWID | | RM_SYNC | | | |
| 0x63 | | | | 0 | | 0 | | 0 | | 0 | | R_ADATM | | R_MULTCH | | | | | |
| 0x64 | | | | R_SEQ_1 | | | | R_SEQ_0 | | | | | | | | | | | |
| 0x65 | | | | R_SEQ_3 | | | | R_SEQ_2 | | | | | | | | | | | |
| 0x66 | | | | R_SEQ_5 | | | | R_SEQ_4 | | | | | | | | | | | |
| 0x67 | | | | R_SEQ_7 | | | | R_SEQ_6 | | | | | | | | | | | |
| 0x68 | | | | R_SEQ_9 | | | | R_SEQ_8 | | | | | | | | | | | |
| 0x69 | | | | R_SEQ_B | | | | R_SEQ_A | | | | | | | | | | | |
| 0x6A | | | | R_SEQ_D | | | | R_SEQ_C | | | | | | | | | | | |
| 0x6B | | | | R_SEQ_F | | | | R_SEQ_E | | | | | | | | | | | |
| 0x6C | | | | 0 | | PB_MASTER | | PB_LRSEL | | PB_BITRATE | | PB_DATMOD | | PB_SAMRATE | | PB_BITWID | | PB_SYNC | |
| 0x6D | | | | 0 | | 0 | | MIX_DERATIO | | MIX_MUTE | | | | | | | | | |
| 0x6E | | | | MIX_RATIO1 | | | | MIX_RATIO0 | | | | | | | | | | | |
| 0x6F | | | | MIX_RATIO3 | | | | MIX_RATIO2 | | | | | | | | | | | |
| 0x70 | | | | AOGAIN | | | | MIX_RATIOP | | | | | | | | | | | |
| 0x71 | | | | 0 | | 1 | | MIX_MODE | | MIX_OUTSEL | | | | | | | | | |
| 0x72 | | | | 0 | | 0 | | 0 | | 0 | | 0 | | 0 | | | | | |
| 0x73 | | | | 0 | | 0 | | 0 | | 0 | | 0 | | 0 | | | | | |
| 0x74 | | | | 0 | | 0 | | 0 | | 0 | | 0 | | 0 | | | | | |
| 0x80 | | 0x90 | | 0xA0 | | 0xB0 | | DEC_PATH_X | | | | 0 | | 0 | | VSFLT_X | | HSFLT_X | |
| 0x81 | | 0x91 | | 0xA1 | | 0xB1 | | VSCALE_X [15:8] | | | | | | | | | | | |
| 0x82 | | 0x92 | | 0xA2 | | 0xB2 | | VSCALE_X [7:0] | | | | | | | | | | | |
| 0x83 | | 0x93 | | 0xA3 | | 0xB3 | | HSCALE_X [15:8] | | | | | | | | | | | |
| 0x84 | | 0x94 | | 0xA4 | | 0xB4 | | HSCALE_X [7:0] | | | | | | | | | | | |
| 0x85 | | 0x95 | | 0xA5 | | 0xB5 | | 0 | | 0 | | 0 | | 0 | | VSFLT_PB | | HSFLT_PB | |
| 0x86 | | 0x96 | | 0xA6 | | 0xB6 | | VSCALE_PB [15:8] | | | | | | | | | | | |
| 0x87 | | 0x97 | | 0xA7 | | 0xB7 | | VSCALE_PB [7:0] | | | | | | | | | | | |
| 0x88 | | 0x98 | | 0xA8 | | 0xB8 | | HSCALE_PB [15:8] | | | | | | | | | | | |
| 0x89 | | 0x99 | | 0xA9 | | 0xB9 | | HSCALE_PB [7:0] | | | | | | | | | | | |
| 0x8A | | 0x9A | | 0xAA | | 0xBA | | 0 / 1 / 2 / 3 | | VSCALE_Y | | HSCALE_Y | | VSFLT_Y | | HSFLT_Y | | | |
| 0x8B | | 0x9B | | 0xAB | | 0xBB | | HDELAY_PB [7:0] | | | | | | | | | | | |
| 0x8C | | 0x9C | | 0xAC | | 0xBC | | HACTIVE_PB [7:0] | | | | | | | | | | | |
| 0x8D | | 0x9D | | 0xAD | | 0xBD | | VDELAY_PB [7:0] | | | | | | | | | | | |
| 0x8E | | 0x9E | | 0xAE | | 0xBE | | VACTIVE_PB [7:0] | | | | | | | | | | | |
| 0x8F | | 0x9F | | 0xAF | | 0xBF | | 0 | | 0 | | VACTIVE_PB [8] | | VDELAY_PB [8] | | HACTIVE_PB [9:8] | | HDELAY_PB [9:8] | |
| 0xC0 | | | | 0 | | PB_FLDPOL | | 0 | | 0 | | MAN_PBCROP | | PB_CROP_MD | | PB_ACT_MD | | | |
| 0xC1 | | | | LIM_656_PB | | LIM_656_X | | LIM_656_Y1 | | | | LIM_656_Y0 | | | | | | | |
| 0xC2 | | | | 0 | | LIM_656_DEC | | LIM_656_Y3 | | | | LIM_656_Y2 | | | | | | | |
| 0xC3 | | | | BGNDEN_PB | | | | BGNDCOL | | AUTOBGNDPB | | AUTOBGNDY | | AUTOBGNDX | | | | | |
| 0xC4 | | | | BGNDEN_Y | | | | BGNDEN_X | | | | | | | | | | | |
| 0xC5 | | | | PAL_DLY_Y | | | | PAL_DLY_X | | | | | | | | | | | |
| 0xC6 | | | | 1 | | 1 | | 1 | | 1 | | PAL_DLY_PB | | | | | | | |
| 0xC7 | | | | 1 | | 1 | | 1 | | 1 | | 1 | | 1 | | | | | |

For Video Decoder

| Address | | | | BIT7 | BIT6 | BIT5 | BIT4 | BIT3 | BIT2 | BIT1 | BIT0 |
|---------|------|------|------|-------|----------|------|------|------|-------------|------------|------------|
| VIN0 | VIN1 | VIN2 | VIN3 | | | | | | | | |
| 0xC8 | | | | 0 | 0 | 0 | 0 | 0 | FLD_OFST_PB | FLD_OFST_Y | FLD_OFST_X |
| 0xC9 | | | | 0 | 0 | 1 | 1 | 1 | 1 | 0 | 0 |
| 0xCA | | | | 0 | OUT_CHID | 0 | 0 | 1 | 1 | 1 | 1 |
| 0xFE | | | | 0x28* | | | | | | | |

- Notes
1. "*" stand for read only register
 2. VIN0 ~ VIN3 stand for video input 0 ~ video input 3.

For Video Controller (Display path)

| Address | | | | | | | | BIT7 | BIT6 | BIT5 | BIT4 | BIT3 | BIT2 | BIT1 | BIT0 |
|---------|------|------|------|------|------|------|------|--------------|----------|-------------|-------------|--------------|-------------|--------------|-------|
| CH0 | CH1 | CH2 | CH3 | CH4 | CH5 | CH6 | CH7 | | | | | | | | |
| 1x00 | | | | | | | | SYS_5060 | OVERLAY | LINK_LAST_X | LINK_LAST_Y | LINK_EN_X | LINK_EN_Y | LINK_NUM | |
| 1x01 | | | | | | | | 0 | 0 | 0 | TBLINK | FRZ_FRAME | DUAL_PAGE | STRB_FLD | |
| 1x02 | | | | | | | | RECALL_FLD | SAVE_FLD | | SAVE_HID | SAVE_ADDR | | | |
| 1x03 | | | | | | | | SAVE_REQ | | | | | | | |
| 1x04 | | | | | | | | STRB_REQ | | | | | | | |
| 1x05 | | | | | | | | NOVID_MODE | | 0 | 0 | 0 | AUTO_ENHACE | INVALID_MODE | |
| 1x06 | | | | | | | | MUX_MODE | 0 | MUX_FLD | | 0 | 0 | 0 | 0 |
| 1x07 | | | | | | | | STRB_AUTO | 0 | 0 | INTR_REQX | INTR_CH | | | |
| 1x08 | | | | | | | | MUX_OUT_CH0 | | | | MUX_OUT_CH1 | | | |
| 1x09 | | | | | | | | MUX_OUT_CH2 | | | | MUX_OUT_CH3 | | | |
| 1x0A | | | | | | | | CHID_MUX_OUT | | | | | | | |
| 1x0B | | | | | | | | ZM_EVEN_OS | | ZM_ODD_OS | | FR_EVEN_OS | | FR_ODD_OS | |
| 1x0C | | | | | | | | ZMENA | H_ZM_MD | ZMBNDCOL | ZMBNDEN | ZMAREAEN | ZMAREA | | |
| 1x0D | | | | | | | | ZOOMH | | | | | | | |
| 1x0E | | | | | | | | ZOOMV | | | | | | | |
| 1x0F | | | | | | | | FRZ_FLD | | BNDCOL | | BGDCOL | | BLKCOL | |
| 1x10 | 1x18 | 1x20 | 1x28 | 1x13 | 1x1B | 1x23 | 1x2B | CH_EN | POP_UP | FUNC_MODE | | ANA_PATH_SEL | PB_PATH_EN | Reserved | |
| 1x11 | 1x19 | 1x21 | 1x29 | 1x14 | 1x1C | 1x24 | 1x2C | RECALL_CH | FRZ_CH | H_MIRROR | V_MIRROR | ENHANCE | BLANK | BOUND | BLINK |
| 1x12 | 1x1A | 1x22 | 1x2A | 1x15 | 1x1D | 1x25 | 1x2D | 0 | 0 | FIELD_OP | DVR_IN | RECALL_ADDR | | | |
| 1x16 | 1x1E | 1x26 | 1x2E | 1x16 | 1x1E | 1x26 | 1x2E | PB_AUTO_EN | FLD_CONV | PB_STOP | EVENT_PB | PB_CH_NUM | | | |
| 1x17 | 1x1F | 1x27 | 1x2F | 1x17 | 1x1F | 1x27 | 1x2F | 0 | 0 | 0 | 0 | 0 | 0 | 0 | 0 |
| 1x30 | 1x34 | 1x38 | 1x3C | 1x40 | 1x44 | 1x48 | 1x4C | PICHL | | | | | | | |
| 1x31 | 1x35 | 1x39 | 1x3D | 1x41 | 1x45 | 1x49 | 1x4D | PICHR | | | | | | | |
| 1x32 | 1x36 | 1x3A | 1x3E | 1x42 | 1x46 | 1x4A | 1x4E | PICVT | | | | | | | |
| 1x33 | 1x37 | 1x3B | 1x3F | 1x43 | 1x47 | 1x4B | 1x4F | PICVB | | | | | | | |

- Notes
1. "*" stand for read only register
 2. CH0 ~ CH7 stand for channel 0 ~ channel 7.

For Video Controller (Record path)

| Address | | | | BIT7 | BIT6 | BIT5 | BIT4 | BIT3 | BIT2 | BIT1 | BIT0 | |
|---------|------|------|------|-------------------|---------------|---------------|-----------------|----------------|-------------|-----------------|---------|--|
| CH0 | CH1 | CH2 | CH3 | | | | | | | | | |
| 1x50 | | | | MEDIAN_MD | TM_SLOP | | TM_THR | | | | | |
| 1x51 | | | | 0 | FRAME_OP | FRAME_FLD | DIS_MODE | 0 | 0 | SIZE_MODE | | |
| 1x52 | | | | TBLINK | FRZ_FRAME | TM_WIN_MD | | 0 | 0 | 0 | 0 | |
| 1x53 | | | | 0 | 0 | 0 | 0 | 0 | 0 | 0 | 0 | |
| 1x54 | | | | 0 | STRB_FLD | | DUAL_PAGE | STRB_REQ | | | | |
| 1x55 | | | | NOVID_MODE | | 0 | CH_START | 0 | AUTO_NR_EN | INVALID_MODE | | |
| 1x56 | | | | MUX_MODE | TRIG_MODE | MUX_FLD | | PIN_TRIG_MD | | PIN_TRIG_EN | | |
| 1x57 | | | | STRB_AUTO | | QUE_SIZE | | | | | | |
| 1x58 | | | | QUE_PERIOD[7:0] | | | | | | | | |
| 1x59 | | | | QUE_PERIOD[9:8] | | EXT_TRIG | INTR_REQY | MUX_WR_CH | | | | |
| 1x5A | | | | QUE_WR | | QUE_ADDR | | | | | | |
| 1x5B | | | | 0 | Q_POS_RD_CTL | Q_DATA_RD_CTL | MUX_SKIP_EN | ACCU_TRIG | QUE_CNT_RST | QUE_POS_RST | | |
| 1x5C | | | | MUX_SKIP_CH[15:8] | | | | | | | | |
| 1x5D | | | | MUX_SKIP_CH[7:0] | | | | | | | | |
| 1x5E | | | | CHID_MUX_OUT | | | | | | | | |
| 1x5F | | | | FRZ_FLD | | BNDCOL | | BGDCOL | | BLKCOL | | |
| 1x60 | 1x63 | 1x66 | 1x69 | CH_EN | POP_UP | FUNC_MODE | | NR_EN_DM | NR_EN | DEC_PATH_Y | | |
| 1x61 | 1x64 | 1x67 | 1x6A | 0 | FRZ_CH | H_MIRROR | V_MIRROR | 0 | BLANK | BOUND | BLINK | |
| 1x62 | 1x65 | 1x68 | 1x6B | 0 | 0 | FIELD_OP | 0 | 0 | 0 | 0 | 0 | |
| 1x6C | | | | PIC_SIZE3 | | PIC_SIZE2 | | PIC_SIZE1 | | PIC_SIZE0 | | |
| 1x6D | | | | PIC_POS3 | | PIC_POS2 | | PIC_POS1 | | PIC_POS0 | | |
| 1x6E | | | | MUX_OUT_CH0 | | | | MUX_OUT_CH1 | | | | |
| 1x6F | | | | MUX_OUT_CH2 | | | | MUX_OUT_CH3 | | | | |
| 1x70 | | | | POS_CTL_EN | POS_TRIG_MODE | POS_TRIG | POS_INTR | 0 | POS_RD_CTL | POS_DATA_RD_CTL | | |
| 1x71 | | | | POS_PERIOD[9:8] | | POS_FLD_MD | POS_SIZE | | | | | |
| 1x72 | | | | POS_QUE_PER[7:0] | | | | | | | | |
| 1x73 | | | | POS_CH0 | | | | POS_CH1 | | | | |
| 1x74 | | | | POS_CH2 | | | | POS_CH3 | | | | |
| 1x75 | | | | POS_QUE_WR | POS_CNT_RST | POS_QUE_RST | POS_QUE_ADDR | | | | | |
| 1x76 | | | | IRQENA_RD | 0 | 0 | 0 | 0 | 0 | IRQ_POL | IRQ_RPT | |
| 1x77 | | | | IRQ_PERIOD | | | | | | | | |
| 1x78 | | | | IRQENA_NOVID_S | | | | IRQENA_NOVID_M | | | | |
| 1x79 | | | | IRQENA_MD_S | | | | IRQENA_MD_M | | | | |
| 1x7A | | | | IRQENA_BD_S | | | | IRQENA_BD_M | | | | |
| 1x7B | | | | IRQENA_ND_S | | | | IRQENA_ND_M | | | | |
| 1x7C | | | | DET_NOVID_PB | | | | | | | | |
| 1x7D | | | | 0 | 0 | 0 | 0 | 0 | 0 | 0 | 0 | |
| 1x7E | | | | 1 | SYNC_DEL | | | | MCLK_DEL | | | |
| 1x7F | | | | MEM_INIT | 0 | T_CASCADE_EN | 0 | 0 | 1 | 0 | 0 | |
| 1x80 | | | | VIS_ENA | VIS_AUTO_EN | AUTO_RPT_EN | VIS_DET_EN | VIS_USER_EN | VIS_CODE_EN | VIS_RIC_EN | 1 | |
| 1x81 | | | | VIS_PIXEL_HOS | | | | | | | | |
| 1x82 | | | | VIS_FLD_OS | | 0 | VIS_PIXEL_WIDTH | | | | | |
| 1x83 | | | | 0 | VIS_DM_MD | 0 | VIS_LINE_OS | | | | | |
| 1x84 | | | | VIS_HIGH_VAL | | | | | | | | |

For Video Controller (Record path)

| Address | | | | BIT7 | BIT6 | BIT5 | BIT4 | BIT3 | BIT2 | BIT1 | BIT0 |
|---------|-----|-----|-----|---|------|---------|-----------------|------------|------------|--------------|------------|
| CH0 | CH1 | CH2 | CH3 | | | | | | | | |
| 1x85 | | | | VIS_LOW_VAL | | | | | | | |
| 1x86 | | | | AUTO_VBI_DET | 0 | VBI_ENA | VBI_CODE_EN | VBI_RIC_ON | VBI_FLT_EN | CHID_RD_TYPE | VBI_RD_CTL |
| 1x87 | | | | VBI_PIXEL_HOS | | | | | | | |
| 1x88 | | | | VBI_FLD_OS | | VAV_CHK | VBI_PIXEL_WIDTH | | | | |
| 1x89 | | | | VBI_SIZE | | | VBI_LINE_OS | | | | |
| 1x8A | | | | VBI_MID_VALUE | | | | | | | |
| 1x8B | | | | DET_CHID_TYPE/{3'b0, auto_valid, det_valid, user_valid} | | | | | | | |
| 1x8C | | | | AUTO_CHID0 | | | | | | | |
| 1x8D | | | | AUTO_CHID1 | | | | | | | |
| 1x8E | | | | AUTO_CHID2 | | | | | | | |
| 1x8F | | | | AUTO_CHID3 | | | | | | | |
| 1x90 | | | | USER_CHID0 | | | | | | | |
| 1x91 | | | | USER_CHID1 | | | | | | | |
| 1x92 | | | | USER_CHID2 | | | | | | | |
| 1x93 | | | | USER_CHID3 | | | | | | | |
| 1x94 | | | | USER_CHID4 | | | | | | | |
| 1x95 | | | | USER_CHID5 | | | | | | | |
| 1x96 | | | | USER_CHID6 | | | | | | | |
| 1x97 | | | | USER_CHID7 | | | | | | | |
| 1x98 | | | | DET_CHID0 | | | | | | | |
| 1x99 | | | | DET_CHID1 | | | | | | | |
| 1x9A | | | | DET_CHID2 | | | | | | | |
| 1x9B | | | | DET_CHID3 | | | | | | | |
| 1x9C | | | | DET_CHID4 | | | | | | | |
| 1x9D | | | | DET_CHID5 | | | | | | | |
| 1x9E | | | | DET_CHID6 | | | | | | | |
| 1x9F | | | | DET_CHID7 | | | | | | | |

- Notes
1. "*" stand for read only register
 2. CH0 ~ CH3 stand for channel 0 ~ channel 3.

For Video Output

| Address | BIT7 | BIT6 | BIT5 | BIT4 | BIT3 | BIT2 | BIT1 | BIT0 |
|---------|----------------|----------|--------------|-------------|---------------|-------------|------------|-------------|
| 1xA0 | ENC_IN_X | | ENC_IN_Y | | CCIR_IN_X | | CCIR_IN_Y | |
| 1xA1 | DAC_PD_CX | 0 | DAC_OUT_YX | | DAC_PD_YX | 0 | DAC_OUT_CX | |
| 1xA2 | 1 | | DAC_OUT_YY | | DAC_PD_YY | 0 | 0 | 0 |
| 1xA3 | CCIR_601_X | 0 | CCIR_OUT_X | | CCIR601_Y | 0 | CCIR_OUT_Y | |
| 1xA4 | ENC_MODE | CCIR_LMT | ENC_VS | ENC_FLD | CCIR_FLDPOL | ENC_HSPOL | ENC_VSPOL | ENC_FLDPOL |
| 1xA5 | ENC_VSOFF | | ENC_VSDEL | | | | | |
| 1xA6 | ENC_HSDEL[7:0] | | | | | | | |
| 1xA7 | ENC_HSDEL[9:8] | | TST_FSC_FREE | ACTIVE_VDEL | | | | |
| 1xA8 | ACTIVE_MD | CCIR_STD | ACTIVE_HDEL | | | | | |
| 1xA9 | ENC_FSC | | 0 | 0 | 1 | ENC_PHALT | ENC_ALTRST | ENC_PED |
| 1xAA | ENC_CBW_X | | ENC_YBW_X | | ENC_CBW_Y | | ENC_YBW_Y | |
| 1xAB | 0 | HOUT | VOUT | FOUT | ENC_BAR_X | ENC_CKILL_X | ENC_BAR_Y | ENC_CKILL_Y |
| 1xAC | ENC_CLK_FR_X | | ENC_CLK_PH_X | | ENC_CLK_CTL_X | | | |
| 1xAD | ENC_CLK_FR_Y | | ENC_CLK_PH_Y | | ENC_CLK_CTL_Y | | | |
| 1xAE | DEC_CLK_FR_X | | DEC_CLK_PH_X | | DEC_CLK_CTL_X | | | |
| 1xAF | DEC_CLK_FR_Y | | DEC_CLK_PH_Y | | DEC_CLK_CTL_Y | | | |
| 1xB0 | 0 | 0 | MPP_MD2 | | MPP_MD1 | | MPP_MD0 | |
| 1xB1 | MPP0_SET_MSB | | | | MPP0_SET_LSB | | | |
| 1xB2 | MPP0_DATA_MSB | | | | MPP0_DATA_LSB | | | |
| 1xB3 | MPP1_SET_MSB | | | | MPP1_SET_LSB | | | |
| 1xB4 | MPP1_DATA_MSB | | | | MPP1_DATA_LSB | | | |
| 1xB5 | MPP2_SET_MSB | | | | MPP2_SET_LSB | | | |
| 1xB6 | MPP2_DATA_MSB | | | | MPP2_DATA_LSB | | | |
| 1xB7 | MEM_INIT_DET | 0 | 0 | 0 | 0 | 0 | 0 | 0 |
| 1xB8 | 0 | | | | | | | |
| 1xB9 | 0 | 0 | 0 | 0 | 0 | 0 | 0 | 0 |
| 1xBA | 0 | 0 | 0 | 0 | 0 | 0 | 0 | 0 |
| 1xBB | 0 | 0 | 0 | 0 | 0 | 0 | 0 | 0 |
| 1xBC | 0 | 0 | 0 | 0 | 0 | 0 | 0 | 0 |
| 1xBD | 0 | | 0 | | 0 | | 0 | |
| 1xBE | 0 | | 0 | | 0 | | 0 | |
| 1xBF | 0 | | 0 | | 0 | | 0 | |

Notes 1. “*” stand for read only register

For Character and Mouse Overlay

| Address | BIT7 | BIT6 | BIT5 | BIT4 | BIT3 | BIT2 | BIT1 | BIT0 | |
|---------|---------------------|----------------|--------------|-------------|---------------------|------|-------------------|-----------------|--|
| 2x00 | OSD_BUF_DATA[31:24] | | | | | | | | |
| 2x01 | OSD_BUF_DATA[23:16] | | | | | | | | |
| 2x02 | OSD_BUF_DATA[15:8] | | | | | | | | |
| 2x03 | OSD_BUF_DATA[7:0] | | | | | | | | |
| 2x04 | OSD_BUF_WR | OSD_BUF_RD_MD | 0 | 0 | OSD_BUF_ADDR | | | | |
| 2x05 | OSD_START_HPOS | | | | | | | | |
| 2x06 | OSD_END_HPOS | | | | | | | | |
| 2x07 | OSD_START_VPOS[7:0] | | | | | | | | |
| 2x08 | OSD_END_VPOS[7:0] | | | | | | | | |
| 2x09 | OSD_BL_SIZE | | | | OSD_START_VPOS[9:8] | | OSD_END_VPOS[9:8] | | |
| 0x0A | OSD_MEM_WR | OSD_ACC_EN | OSD_MEM_PATH | OSD_WR_PAGE | | | 0 | OSD_INDEX_RD_MD | |
| 0x0B | OSD_INDEX_Y | | | | | | | | |
| 0x0C | OSD_INDEX_CB | | | | | | | | |
| 2x0D | OSD_INDEX_CR | | | | | | | | |
| 2x0E | OSD_INDEX_WR | OSD_INDEX_ADDR | | | | | | | |
| 2x0F | 0 | OSD_RD_PAGE | | | OSD_FLD_X | | OSD_FLD_Y | | |
| 2x10 | CUR_ON_X | CUR_ON_Y | CUR_TYPE | CUR_SUB | CUR_BLINK | 0 | CUR_HP [0] | CUR_VP [0] | |
| 2x11 | CUR_HP | | | | | | | | |
| 2x12 | CUR_VP | | | | | | | | |
| 2x13 | CLUT0_Y | | | | | | | | |
| 2x14 | CLUT0_CB | | | | | | | | |
| 2x15 | CLUT0_CR | | | | | | | | |
| 2x16 | CLUT1_Y | | | | | | | | |
| 2x17 | CLUT1_CB | | | | | | | | |
| 2x18 | CLUT1_CR | | | | | | | | |
| 2x19 | CLUT2_Y | | | | | | | | |
| 2x1A | CLUT2_CB | | | | | | | | |
| 2x1B | CLUT2_CR | | | | | | | | |
| 2x1C | CLUT3_Y | | | | | | | | |
| 2x1D | CLUT3_CB | | | | | | | | |
| 2x1E | CLUT3_CR | | | | | | | | |
| 2x1F | TBLINK_OSD | | ALPHA_OSD | | ALPHA_2DBOX | | ALPHA_BOX | | |

Notes

For Single Box

| Address | | | | BIT7 | BIT6 | BIT5 | BIT4 | BIT3 | BIT2 | BIT1 | BIT0 |
|---------|------|------|------|-------------|------|--------------|-------------|------------|--------------|-------------|------------|
| B0 | B1 | B2 | B3 | | | | | | | | |
| 2x20 | 2x26 | 2x2C | 2x32 | BOX_BNDCOL | | BOX_PLNMIX_Y | BOX_BNDEN_Y | BOXPLNEN_Y | BOX_PLNMIX_X | BOX_BNDEN_X | BOXPLNEN_X |
| 2x21 | 2x27 | 2x2D | 2x33 | BOX_PLNCOL | | | | BOX_HL[0] | BOX_HW[0] | BOX_VT[0] | BOX_VW[0] |
| 2x22 | 2x28 | 2x2E | 2x34 | BOX_HL[8:1] | | | | | | | |
| 2x23 | 2x29 | 2x2F | 2x35 | BOX_HW[8:1] | | | | | | | |
| 2x24 | 2x2A | 2x30 | 2x36 | BOX_VT[8:1] | | | | | | | |
| 2x25 | 2x2B | 2x31 | 2x37 | BOX_VW[8:1] | | | | | | | |
| 2x38 | | | | 0 | 0 | 0 | 0 | OVL_MD_X | | OVL_MD_Y | |

Notes 1. B0 ~ B3 stand for single box 0 to 3.

For 2D Arrayed Box Overlay

| Address | | | | BIT7 | BIT6 | BIT5 | BIT4 | BIT3 | BIT2 | BIT1 | BIT0 |
|---------|------|------|------|---------------|------------|-------------|-------------|--------------|--------------|-------------|-------------|
| 2DB0 | 2DB1 | 2DB2 | 2DB3 | | | | | | | | |
| 2x5B | | | | MASKAREA0_COL | | | | DETAREA0_COL | | | |
| 2x5C | | | | MASKAREA1_COL | | | | DETAREA1_COL | | | |
| 2x5D | | | | MASKAREA2_COL | | | | DETAREA2_COL | | | |
| 2x5E | | | | MASKAREA3_COL | | | | DETAREA3_COL | | | |
| 2x5F | | | | MDBND3_COL | | MDBND2_COL | | MDBND1_COL | | MDBND0_COL | |
| 2x60 | 2x68 | 2x70 | 2x78 | 2DBOX_EN_X | 2DBOX_EN_Y | 2DBOX_MODE | 2DBOX_CUREN | 2DBOX_MIX | 2DBOX_IN_SEL | | |
| 2x61 | 2x69 | 2x71 | 2x79 | 2DBOX_HINV | 2DBOX_VINV | MASKAREA_EN | DETAREA_EN | 2DBOX_BND_EN | 0 | 2DBOX_HL[0] | 2DBOX_VT[0] |
| 2x62 | 2x6A | 2x72 | 2x7A | 2DBOX_HL[8:1] | | | | | | | |
| 2x63 | 2x6B | 2x73 | 2x7B | 2DBOX_HW | | | | | | | |
| 2x64 | 2x6C | 2x74 | 2x7C | 2DBOX_VT[8:1] | | | | | | | |
| 2x65 | 2x6D | 2x75 | 2x7D | 2DBOX_VW | | | | | | | |
| 2x66 | 2x6E | 2x76 | 2x7E | 2DBOX_HNUM | | | | 2DBOX_VNUM | | | |
| 2x67 | 2x6F | 2x77 | 2x7F | 2DBOX_CURHP | | | | 2DBOX_CURVP | | | |

Notes 1. 2DB0 ~ 2DB3 stand for 2D arrayed box 0 to 3.

For Motion Detector

| Address | | | | BIT7 | BIT6 | BIT5 | BIT4 | BIT3 | BIT2 | BIT1 | BIT0 | | |
|---------|------|------|------|---------------|-----------|------------|-----------|-------------|----------|----------|----------|--|--|
| VIN0 | VIN1 | VIN2 | VIN3 | | | | | | | | | | |
| 2x80 | 2xA0 | 2xC0 | 2xE0 | MD_DIS | MD_REFFLD | BD_CELSENS | | BD_LVSENS | | | | | |
| 2x81 | 2xA1 | 2xC1 | 2xE1 | ND_LVSENS | | | | ND_TMPSENS | | | | | |
| 2x82 | 2xA2 | 2xC2 | 2xE2 | MD_MASK_RD_MD | | MD_FLD | | MD_ALIGN | | | | | |
| 2x83 | 2xA3 | 2xC3 | 2xE3 | MD_CELSENS | | MD_DUAL_EN | MD_LVSENS | | | | | | |
| 2x84 | 2xA4 | 2xC4 | 2xE4 | MD_STRB_EN | MD_STRB | MD_SPEED | | | | | | | |
| 2x85 | 2xA5 | 2xC5 | 2xE5 | MD_TMPSENS | | | | MD_SPSSENS | | | | | |
| 2x86 | 2xA6 | 2xC6 | 2xE6 | MD_MASK[15:8] | | | | | | | | | |
| 2x88 | 2xA8 | 2xC8 | 2xE8 | | | | | | | | | | |
| 2x8A | 2xAA | 2xCA | 2xEA | | | | | | | | | | |
| 2x8C | 2xAC | 2xCC | 2xEC | | | | | | | | | | |
| 2x8E | 2xAE | 2xCE | 2xEE | | | | | | | | | | |
| 2x90 | 2xB0 | 2xD0 | 2xF0 | | | | | | | | | | |
| 2x92 | 2xB2 | 2xD2 | 2xF2 | | | | | | | | | | |
| 2x94 | 2xB4 | 2xD4 | 2xF4 | | | | | | | | | | |
| 2x96 | 2xB6 | 2xD6 | 2xF6 | | | | | | | | | | |
| 2x98 | 2xB8 | 2xD8 | 2xF8 | | | | | | | | | | |
| 2x9A | 2xBA | 2xDA | 2xFA | | | | | | | | | | |
| 2x9C | 2xBC | 2xDC | 2xFC | | | | | | | | | | |
| 2x87 | 2xA7 | 2xC7 | 2xE7 | MD_MASK[7:0] | | | | | | | | | |
| 2x89 | 2xA9 | 2xC9 | 2xE9 | | | | | | | | | | |
| 2x8B | 2xAB | 2xCB | 2xEB | | | | | | | | | | |
| 2x8D | 2xAD | 2xCD | 2xED | | | | | | | | | | |
| 2x8F | 2xAF | 2xCF | 2xEF | | | | | | | | | | |
| 2x91 | 2xB1 | 2xD1 | 2xF1 | | | | | | | | | | |
| 2x93 | 2xB3 | 2xD3 | 2xF3 | | | | | | | | | | |
| 2x95 | 2xB5 | 2xD5 | 2xF5 | | | | | | | | | | |
| 2x97 | 2xB7 | 2xD7 | 2xF7 | | | | | | | | | | |
| 2x99 | 2xB9 | 2xD9 | 2xF9 | | | | | | | | | | |
| 2x9B | 2xBB | 2xDB | 2xFB | | | | | | | | | | |
| 2x9D | 2xBD | 2xDD | 2xFD | | | | | | | | | | |
| 2x9E | 2xBE | 2xDE | 2xFE | DET_NOVID_S | DET_MD_S | DET_BD_S | DET_ND_S | DET_NOVID_M | DET_MD_M | DET_BD_M | DET_ND_M | | |

Notes 1. VIN0 ~ VIN3 stand for video input 0 ~ video input 3.

Recommended Value

For Video Decoder

| Address | | | | NTSC | | | | PAL | | | |
|---------|------|------|------|-------|------|------|-------|-------|------|------|-------|
| VIN0 | VIN1 | VIN2 | VIN3 | 1 CH | 4 CH | 9 CH | 16 CH | 1 CH | 4 CH | 9 CH | 16 CH |
| 0x00 | 0x10 | 0x20 | 0x30 | 8'h00 | | | | 8'h00 | | | |
| 0x01 | 0x11 | 0x21 | 0x31 | C8 | | | | 88 | | | |
| 0x02 | 0x12 | 0x22 | 0x32 | 20 | | | | 20 | | | |
| 0x03 | 0x13 | 0x23 | 0x33 | D0 | | | | D0 | | | |
| 0x04 | 0x14 | 0x24 | 0x34 | 06 | | | | 05 | | | |
| 0x05 | 0x15 | 0x25 | 0x35 | F0 | | | | 20 | | | |
| 0x06 | 0x16 | 0x26 | 0x36 | 08 | | | | 28 | | | |
| 0x07 | 0x17 | 0x27 | 0x37 | 80 | | | | 80 | | | |
| 0x08 | 0x18 | 0x28 | 0x38 | 80 | | | | 80 | | | |
| 0x09 | 0x19 | 0x29 | 0x39 | 80 | | | | 80 | | | |
| 0x0A | 0x1A | 0x2A | 0x3A | 80 | | | | 80 | | | |
| 0x0B | 0x1B | 0x2B | 0x3B | 02 | | | | 82 | | | |
| 0x0C | 0x1C | 0x2C | 0x3C | 06 | | | | 06 | | | |
| 0x0D | 0x1D | 0x2D | 0x3D | 00 | | | | 00 | | | |
| 0x0E | 0x1E | 0x2E | 0x3E | 11 | | | | 11 | | | |
| | 0x40 | | | 00 | | | | 00 | | | |
| | 0x41 | | | 77 | | | | 77 | | | |
| | 0x42 | | | 77 | | | | 77 | | | |
| | 0x43 | | | 45 | | | | 45 | | | |
| | 0x44 | | | A0 | | | | A0 | | | |
| | 0x45 | | | D2 | | | | D2 | | | |
| | 0x46 | | | 2F | | | | 2F | | | |
| | 0x47 | | | 64 | | | | 64 | | | |
| | 0x48 | | | 80 | | | | 80 | | | |
| | 0x49 | | | 80 | | | | 80 | | | |
| | 0x4A | | | 82 | | | | 82 | | | |
| | 0x4B | | | 82 | | | | 82 | | | |
| | 0x4C | | | 00 | | | | 00 | | | |
| | 0x4D | | | 0F | | | | 0F | | | |
| | 0x4E | | | 05 | | | | 05 | | | |
| | 0x4F | | | 00 | | | | 00 | | | |
| | 0x50 | | | 00 | | | | 00 | | | |
| | 0x51 | | | 80 | | | | 80 | | | |
| | 0x52 | | | 06 | | | | 06 | | | |
| | 0x53 | | | 00 | | | | 00 | | | |
| | 0x54 | | | 00 | | | | 00 | | | |
| | 0x55 | | | 00 | | | | 00 | | | |
| | 0x60 | | | 88 | | | | 88 | | | |
| | 0x61 | | | 88 | | | | 88 | | | |
| | 0x62 | | | 00 | | | | 00 | | | |
| | 0x63 | | | 00 | | | | 00 | | | |
| | 0x64 | | | 10 | | | | 10 | | | |
| | 0x65 | | | 32 | | | | 32 | | | |
| | 0x66 | | | 54 | | | | 54 | | | |
| | 0x67 | | | 76 | | | | 76 | | | |
| | 0x68 | | | 98 | | | | 98 | | | |
| | 0x69 | | | BA | | | | BA | | | |
| | 0x6A | | | DC | | | | DC | | | |

| Address | | | | NTSC | | | | PAL | | | |
|---------|------|------|------|-----------------|-----------------|-----------------|-----------------|-----------------|-----------------|-----------------|-----------------|
| VIN0 | VIN1 | VIN2 | VIN3 | 1 CH | 4 CH | 9 CH | 16 CH | 1 CH | 4 CH | 9 CH | 16 CH |
| 0x6B | | | | FE | | | | FE | | | |
| 0x6C | | | | 00 | | | | 00 | | | |
| 0x6D | | | | 00 | | | | 00 | | | |
| 0x6E | | | | 88 | | | | 88 | | | |
| 0x6F | | | | 88 | | | | 88 | | | |
| 0x70 | | | | 88 | | | | 88 | | | |
| 0x71 | | | | 54 | | | | 54 | | | |
| 0x72 | | | | 00 | | | | 00 | | | |
| 0x73 | | | | 00 | | | | 00 | | | |
| 0x74 | | | | 00 | | | | 00 | | | |
| 0x80 | 0x90 | 0xA0 | 0xB0 | 00/40/ 80/C0 | 01/41/ 81/C1 | 06/46/ 86/C6 | 0B/4B/ 8B/CB | 00/40/ 80/C0 | 01/41/ 81/C1 | 06/46/ 86/C6 | 0B/4B/ 8B/CB |
| 0x81 | 0x91 | 0xA1 | 0xB1 | FF | 7F | 55 | 3F | FF | 7F | 55 | 3F |
| 0x82 | 0x92 | 0xA2 | 0xB2 | FF | FF | 55 | FF | FF | FF | 55 | FF |
| 0x83 | 0x93 | 0xA3 | 0xB3 | FF | 7F | 55 | 3F | FF | 7F | 55 | 3F |
| 0x84 | 0x94 | 0xA4 | 0xB4 | FF | FF | 55 | FF | FF | FF | 55 | FF |
| 0x85 | 0x95 | 0xA5 | 0xB5 | 00 | 01 | 06 | 0B | 00 | 01 | 06 | 0B |
| 0x86 | 0x96 | 0xA6 | 0xB6 | FF | 7F | 55 | 3F | FF | 7F | 55 | 3F |
| 0x87 | 0x97 | 0xA7 | 0xB7 | FF | FF | 55 | FF | FF | FF | 55 | FF |
| 0x88 | 0x98 | 0xA8 | 0xB8 | FF | 7F | 55 | 3F | FF | 7F | 55 | 3F |
| 0x89 | 0x99 | 0xA9 | 0xB9 | FF | FF | 55 | FF | FF | FF | 55 | FF |
| 0x8A | 0x9A | 0xAA | 0xBA | 00/40/ 80/C0 | 31/71/ B1/F1 | - | - | 00/40/ 80/C0 | 31/71/ B1/F1 | - | - |
| 0x8B | 0x9B | 0xAB | 0xBB | 00 | | | | 00 | | | |
| 0x8C | 0x9C | 0xAC | 0xBC | D0 | | | | D0 | | | |
| 0x8D | 0x9D | 0xAD | 0xBD | 00 | | | | 00 | | | |
| 0x8E | 0x9E | 0xAE | 0xBE | F0 | | | | 20 | | | |
| 0x8F | 0x9F | 0xAF | 0xBF | 08 | | | | 28 | | | |
| 0xC0 | | | | 00 | | | | 00 | | | |
| 0xC1 | | | | 00 | | | | 00 | | | |
| 0xC2 | | | | 00 | | | | 00 | | | |
| 0xC3 | | | | 07 | | | | 07 | | | |
| 0xC4 | | | | 00 | | | | 00 | | | |
| 0xC5 | | | | 00 | | | | FF | 00 | 00 | 00 |
| 0xC6 | | | | F0 | | | | F0 | | | |
| 0xC7 | | | | FF | | | | FF | | | |
| 0xC8 | | | | 00 | | | | 00 | | | |
| 0xC9 | | | | 3C | | | | 3C | | | |
| 0xCA | | | | 0F | | | | 0F | | | |
| 0xFE | | | | 28 | | | | 28 | | | |

For Video Controller

| Address | | | | NTSC | | | | PAL | | | |
|-------------|------|------|------|-------|------|------|-------|-------|------|------|-------|
| CH0 | CH1 | CH2 | CH3 | 1 CH | 4 CH | 9 CH | 16 CH | 1 CH | 4 CH | 9 CH | 16 CH |
| 1x00 | | | | 8'h00 | | | | 8'h80 | | | |
| 1x01 | | | | 00 | | | | 00 | | | |
| 1x02 | | | | 00 | | | | 00 | | | |
| 1x03 | | | | 00 | | | | 00 | | | |
| 1x04 | | | | 00 | | | | 00 | | | |
| 1x05 | | | | 80 | | | | 80 | | | |
| 1x06 | | | | 00 | | | | 00 | | | |
| 1x07 | | | | 00 | | | | 00 | | | |
| 1x08 | | | | 00 | | | | 00 | | | |
| 1x09 | | | | 00 | | | | 00 | | | |
| 1x0A | | | | 00 | | | | 00 | | | |
| 1x0B | | | | D7 | | | | D7 | | | |
| 1x0C | | | | 00 | | | | 00 | | | |
| 1x0D | | | | 00 | | | | 00 | | | |
| 1x0E | | | | 00 | | | | 00 | | | |
| 1x0F | | | | A7 | | | | A7 | | | |
| 1x10 | | | | 80 | | | | 80 | | | |
| 1x18 | | | | 81 | | | | 81 | | | |
| 1x20 | | | | 82 | | | | 82 | | | |
| 1x28 | | | | 83 | | | | 83 | | | |
| 1x11 | 1x19 | 1x21 | 1x29 | 02 | | | | 02 | | | |
| 1x12 | 1x1A | 1x22 | 1x2A | 00 | | | | 00 | | | |
| 1x13 | 1x1B | 1x23 | 1x2B | 00 | | | | 00 | | | |
| 1x14 | 1x1C | 1x24 | 1x2C | 00 | | | | 00 | | | |
| 1x15 | 1x1D | 1x25 | 1x2D | 00 | | | | 00 | | | |
| 1x16 | 1x1E | 1x26 | 1x2E | 00 | | | | 00 | | | |
| 1x17 | 1x1F | 1x27 | 1x2F | 00 | | | | 00 | | | |
| 1x30 | | | | 00 | 00 | 00 | 00 | 00 | 00 | 00 | 00 |
| 1x31 | | | | B4 | 5A | 3C | 2D | B4 | 5A | 3C | 2D |
| 1x32 | | | | 00 | 00 | 00 | 00 | 00 | 00 | 00 | 00 |
| 1x33 | | | | 78 | 3C | 28 | 1E | 90 | 48 | 30 | 24 |
| 1x34 | | | | 00 | 5A | 3C | 2D | 00 | 5A | 3C | 2D |
| 1x35 | | | | B4 | B4 | 78 | 5A | B4 | B4 | 78 | 5A |
| 1x36 | | | | 00 | 00 | 00 | 00 | 00 | 00 | 00 | 00 |
| 1x37 | | | | 78 | 3C | 28 | 1E | 90 | 48 | 30 | 24 |
| 1x38 | | | | 00 | 00 | 78 | 5A | 00 | 00 | 78 | 5A |
| 1x39 | | | | B4 | 5A | B4 | 87 | B4 | 5A | B4 | 87 |
| 1x3A | | | | 00 | 3C | 00 | 00 | 00 | 48 | 00 | 00 |
| 1x3B | | | | 78 | 78 | 28 | 1E | 90 | 90 | 30 | 24 |
| 1x3C | | | | 00 | 5A | 00 | 87 | 00 | 5A | 00 | 87 |
| 1x3D | | | | B4 | B4 | 3C | B4 | B4 | B4 | 3C | B4 |
| 1x3E | | | | 00 | 3C | 28 | 00 | 00 | 48 | 30 | 00 |
| 1x3F | | | | 78 | 78 | 50 | 1E | 90 | 90 | 60 | 24 |
| 1x40 ~ 1x4F | | | | 00 | | | | 00 | | | |
| 1x50 | | | | 00 | | | | 00 | | | |
| 1x51 | | | | 00 | | | | 00 | | | |
| 1x52 | | | | 00 | | | | 00 | | | |
| 1x53 | | | | 00 | | | | 00 | | | |
| 1x54 | | | | 00 | | | | 00 | | | |
| 1x55 | | | | 80 | | | | 80 | | | |

| Address | | | | NTSC | | | | PAL | | | |
|---------|------|------|------|------|------|------|-------|------|------|------|-------|
| CH0 | CH1 | CH2 | CH3 | 1 CH | 4 CH | 9 CH | 16 CH | 1 CH | 4 CH | 9 CH | 16 CH |
| | | | 1x56 | 00 | | | | 00 | | | |
| | | | 1x57 | 00 | | | | 00 | | | |
| | | | 1x58 | 00 | | | | 00 | | | |
| | | | 1x59 | 00 | | | | 00 | | | |
| | | | 1x5A | 00 | | | | 00 | | | |
| | | | 1x5B | 00 | | | | 00 | | | |
| | | | 1x5C | 00 | | | | 00 | | | |
| | | | 1x5D | 00 | | | | 00 | | | |
| | | | 1x5E | 00 | | | | 00 | | | |
| | | | 1x5F | A7 | | | | A7 | | | |
| | | | 1x60 | 80 | | - | - | 80 | | - | - |
| | | | 1x63 | 81 | | - | - | 81 | | - | - |
| | | | 1x66 | 82 | | - | - | 82 | | - | - |
| | | | 1x69 | 83 | | - | - | 83 | | - | - |
| 1x61 | 1x64 | 1x67 | 1x6A | 02 | | - | - | - | | | |
| 1x62 | 1x65 | 1x68 | 1x6B | 00 | | - | - | - | | | |
| | | | 1x6C | 00 | FF | - | - | 00 | FF | - | - |
| | | | 1x6D | 00 | E4 | - | - | 00 | E4 | - | - |
| | | | 1x6E | 00 | | | | 00 | | | |
| | | | 1x6F | 00 | | | | 00 | | | |
| | | | 1x70 | 00 | | | | 00 | | | |
| | | | 1x71 | 00 | | | | 00 | | | |
| | | | 1x72 | 00 | | | | 00 | | | |
| | | | 1x73 | 00 | | | | 00 | | | |
| | | | 1x74 | 00 | | | | 00 | | | |
| | | | 1x75 | 00 | | | | 00 | | | |
| | | | 1x76 | 00 | | | | 00 | | | |
| | | | 1x77 | 00 | | | | 00 | | | |
| | | | 1x78 | 00 | | | | 00 | | | |
| | | | 1x79 | 00 | | | | 00 | | | |
| | | | 1x7A | 00 | | | | 00 | | | |
| | | | 1x7B | 00 | | | | 00 | | | |
| | | | 1x7C | 00 | | | | 00 | | | |
| | | | 1x7D | 00 | | | | 00 | | | |
| | | | 1x7E | 88 | | | | 88 | | | |
| | | | 1x7F | 84 | | | | 84 | | | |
| | | | 1x80 | FF | | | | FF | | | |
| | | | 1x81 | 00 | | | | 00 | | | |
| | | | 1x82 | 51 | | | | 51 | | | |
| | | | 1x83 | 07 | | | | 07 | | | |
| | | | 1x84 | EB | | | | EB | | | |
| | | | 1x85 | 10 | | | | 10 | | | |
| | | | 1x86 | A8 | | | | A8 | | | |
| | | | 1x87 | 00 | | | | 00 | | | |
| | | | 1x88 | 51 | | | | 51 | | | |
| | | | 1x89 | E7 | | | | E7 | | | |
| | | | 1x8A | 80 | | | | 80 | | | |
| | | | 1x8B | 00 | | | | 00 | | | |
| | | | 1x8C | 00 | | | | 00 | | | |
| | | | 1x8D | 00 | | | | 00 | | | |
| | | | 1x8E | 00 | | | | 00 | | | |
| | | | 1x8F | 00 | | | | 00 | | | |

| Address | | | | NTSC | | | | PAL | | | |
|-------------|-----|-----|-----|------|------|------|-------|------|------|------|-------|
| CH0 | CH1 | CH2 | CH3 | 1 CH | 4 CH | 9 CH | 16 CH | 1 CH | 4 CH | 9 CH | 16 CH |
| 1x90 ~ 1x9F | | | | 00 | | | | 00 | | | |
| 1xA0 | | | | 77 | | | | 77 | | | |
| 1xA1 | | | | 23 | | | | 23 | | | |
| 1xA2 | | | | D0 | | | | D0 | | | |
| 1xA3 | | | | 01 | | | | 01 | | | |
| 1xA4 | | | | C0 | | | | C0 | | | |
| 1xA5 | | | | 10 | | | | 10 | | | |
| 1xA6 | | | | 00 | | | | 00 | | | |
| 1xA7 | | | | 0D | | | | 0D | | | |
| 1xA8 | | | | 20 | | | | 20 | | | |
| 1xA9 | | | | 09 | | | | 4C | | | |
| 1xAA | | | | AA | | | | AA | | | |
| 1xAB | | | | 00 | | | | 00 | | | |
| 1xAC | | | | 00 | | | | 00 | | | |
| 1xAD | | | | 00 | | | | 00 | | | |
| 1xAE | | | | 00 | | | | 00 | | | |
| 1xAF | | | | 00 | | | | 00 | | | |
| 1xB0 ~ 1xBF | | | | 00 | | | | 00 | | | |

- Notes
1. Blanks have the same value of 1 CH.
 2. All values are Hexa format.

For Motion Detector

| Address | | | | NTSC | PAL |
|---------|------|------|------|-------|-------|
| VIN0 | VIN1 | VIN2 | VIN3 | | |
| 2x80 | 2xA0 | 2xC0 | 2xE0 | 8'h17 | 8'h17 |
| 2x81 | 2xA1 | 2xC1 | 2xE1 | 88 | 88 |
| 2x82 | 2xA2 | 2xC2 | 2xE2 | 08 | 08 |
| 2x83 | 2xA3 | 2xC3 | 2xE3 | 6A | 6A |
| 2x84 | 2xA4 | 2xC4 | 2xE4 | 07 | 07 |
| 2x85 | 2xA5 | 2xC5 | 2xE5 | 24 | 24 |

- Notes
1. All values are Hexa format.

Register Description

| VIN | Index | [7] | [6] | [5] | [4] | [3] | [2] | [1] | [0] |
|-----|-------|--------|-----|-----|-------|-------|-------|-------|-------|
| 0 | 0x00 | DET_ | | | DET_ | LOCK_ | LOCK_ | LOCK_ | LOCK_ |
| 1 | 0x10 | FORMAT | | | COLOR | COLOR | GAIN | OFST | HPLL |
| 2 | 0x20 | | | | | | | | |
| 3 | 0x30 | | | | | | | | |

DET_FORMAT Status of video standard detection (*Read only*)

0 PAL-B/D

1 PAL-M

2 PAL-N

3 PAL-60

4 NTSC-M

5 NTSC-4.43

6 NTSC-N

DET_COLOR Status of color detection (*Read only*)

0 Color is not detected

1 Color is detected

LOCK_COLOR Status of locking for color demodulation loop (*Read only*)

0 Color demodulation loop is not locked

1 Color demodulation loop is locked

LOCK_GAIN Status of locking for AGC loop (*Read only*)

0 AGC loop is not locked

1 AGC loop is locked

LOCK_OFST Status of locking for clamping loop (*Read only*)

0 Clamping loop is not locked

1 Clamping loop is locked

LOCK_HPLL Status of locking for horizontal PLL (*Read only*)

0 Horizontal PLL is not locked

1 Horizontal PLL is locked

| VIN | Index | [7] | [6] | [5] | [4] | [3] | [2] | [1] | [0] |
|-----|-------|---------|---------|-----|-----|-----|--------|------------------|-----------------|
| 0 | 0x01 | IFMTMAN | IFORMAT | | | AGC | PEDEST | DET_ NONSTD * | DET_ FLD60 * |
| 1 | 0x11 | | | | | | | | |
| 2 | 0x21 | | | | | | | | |
| 3 | 0x31 | | | | | | | | |

Notes : * Read only bits

| | |
|------------|--|
| IFMTMAN | Setting video standard manually with IFORMAT 0 Detect video standard automatically according to incoming video signal (default) 1 Video standard is selected with IFORMAT |
| IFORMAT | Force the device to operate in a particular video standard when IFMTMAN is high or to free-run in a particular video standard on no-video status when IFMTMAN is low 0 PAL-B/D (default) 1 PAL-M 2 PAL-N 3 PAL-60 4 NTSC-M 5 NTSC-4.43 6 NTSC-N |
| AGC | Enable the AGC 0 Disable the AGC (default) 1 Enable the AGC |
| PEDEST | Enable gain correction for 7.5 IRE black (pedestal) level 0 No pedestal level (0 IRE is ITU-R BT.656 code 16) (default) 1 7.5 IRE setup level (7.5 IRE is ITU-R BT.656 code 16) |
| DET_NONSTD | Status of non-standard video detection (<i>Read only</i>) 0 The incoming video source is standard 1 The incoming video source is non-standard |
| DET_FLD60 | Status of field frequency of incoming video (<i>Read only</i>) 0 50Hz field frequency 1 60Hz field frequency |

| VIN | Index | [7] | [6] | [5] | [4] | [3] | [2] | [1] | [0] |
|-----|-------|----------------|-----|---------------|--------------|------------------|----------------|-----|-----|
| 0 | 0x06 | 0 | 0 | VACTIVE_XY[8] | VDELAY_XY[8] | HACITIVE_XY[9:8] | HDELAY_XY[9:8] | | |
| 1 | 0x16 | | | | | | | | |
| 2 | 0x26 | | | | | | | | |
| 3 | 0x36 | | | | | | | | |
| 0 | 0x02 | HDELAY_XY[7:0] | | | | | | | |
| 1 | 0x12 | | | | | | | | |
| 2 | 0x22 | | | | | | | | |
| 3 | 0x32 | | | | | | | | |

HDELAY_XY This 10bit register defines the starting location of horizontal active pixel for display / record path. A unit is 1 pixel. The default value is decimal 32.

| VIN | Index | [7] | [6] | [5] | [4] | [3] | [2] | [1] | [0] |
|-----|-------|-----------------|-----|---------------|--------------|------------------|----------------|-----|-----|
| 0 | 0x06 | 0 | 0 | VACTIVE_XY[8] | VDELAY_XY[8] | HACITIVE_XY[9:8] | HDELAY_XY[9:8] | | |
| 1 | 0x16 | | | | | | | | |
| 2 | 0x26 | | | | | | | | |
| 3 | 0x36 | | | | | | | | |
| 0 | 0x03 | HACTIVE_XY[7:0] | | | | | | | |
| 1 | 0x13 | | | | | | | | |
| 2 | 0x23 | | | | | | | | |
| 3 | 0x33 | | | | | | | | |

HACTIVE_XY This 10bit register defines the number of horizontal active pixel for display / record path. A unit is 1 pixel. The default value is decimal 720.

| VIN | Index | [7] | [6] | [5] | [4] | [3] | [2] | [1] | [0] |
|-----|-------|----------------|-----|---------------|--------------|------------------|-----|----------------|-----|
| 0 | 0x06 | 0 | 0 | VACTIVE_XY[8] | VDELAY_XY[8] | HACITIVE_XY[9:8] | | HDELAY_XY[9:8] | |
| 1 | 0x16 | | | | | | | | |
| 2 | 0x26 | | | | | | | | |
| 3 | 0x36 | | | | | | | | |
| 0 | 0x04 | VDELAY_XY[7:0] | | | | | | | |
| 1 | 0x14 | | | | | | | | |
| 2 | 0x24 | | | | | | | | |
| 3 | 0x34 | | | | | | | | |

VDELAY_XY This 9bit register defines the starting location of vertical active for display / record path. A unit is 1 line. The default value is decimal 6.

| VIN | Index | [7] | [6] | [5] | [4] | [3] | [2] | [1] | [0] |
|-----|-------|-----------------|-----|---------------|--------------|------------------|-----|----------------|-----|
| 0 | 0x06 | 0 | 0 | VACTIVE_XY[8] | VDELAY_XY[8] | HACITIVE_XY[9:8] | | HDELAY_XY[9:8] | |
| 1 | 0x16 | | | | | | | | |
| 2 | 0x26 | | | | | | | | |
| 3 | 0x36 | | | | | | | | |
| 0 | 0x05 | VACTIVE_XY[7:0] | | | | | | | |
| 1 | 0x15 | | | | | | | | |
| 2 | 0x25 | | | | | | | | |
| 3 | 0x35 | | | | | | | | |

VACTIVE_XY This 9bit register defines the number of vertical active lines for display / record path. A unit is 1 line. The default value is decimal 240.

| VIN | Index | [7] | [6] | [5] | [4] | [3] | [2] | [1] | [0] |
|-----|-------|-----|-----|-----|-----|-----|-----|-----|-----|
| 0 | 0x07 | HUE | | | | | | | |
| 1 | 0x17 | | | | | | | | |
| 2 | 0x27 | | | | | | | | |
| 3 | 0x37 | | | | | | | | |

HUE Control the hue information. The resolution is 1.4° / LSB.

| | |
|-----|--------------|
| 0 | -180° |
| : | : |
| 128 | 0° (default) |
| : | : |
| 255 | 180° |

| VIN | Index | [7] | [6] | [5] | [4] | [3] | [2] | [1] | [0] |
|-----|-------|-----|-----|-----|-----|-----|-----|-----|-----|
| 0 | 0x08 | SAT | | | | | | | |
| 1 | 0x18 | | | | | | | | |
| 2 | 0x28 | | | | | | | | |
| 3 | 0x38 | | | | | | | | |

SAT Control the color saturation. The resolution is 0.8% / LSB.

| | |
|-----|-----------------|
| 0 | 0 % |
| : | : |
| 128 | 100 % (default) |
| : | : |
| 255 | 200 % |

| VIN | Index | [7] | [6] | [5] | [4] | [3] | [2] | [1] | [0] |
|-----|-------|------|-----|-----|-----|-----|-----|-----|-----|
| 0 | 0x09 | CONT | | | | | | | |
| 1 | 0x19 | | | | | | | | |
| 2 | 0x29 | | | | | | | | |
| 3 | 0x39 | | | | | | | | |

CONT Control the contrast. The resolution is 0.8% / LSB.

| | |
|-----|-----------------|
| 0 | 0 % |
| : | : |
| 128 | 100 % (default) |
| : | : |
| 255 | 200 % |

| VIN | Index | [7] | [6] | [5] | [4] | [3] | [2] | [1] | [0] |
|-----|-------|-----|-----|-----|-----|-----|-----|-----|-----|
| 0 | 0x0A | BRT | | | | | | | |
| 1 | 0x1A | | | | | | | | |
| 2 | 0x2A | | | | | | | | |
| 3 | 0x3A | | | | | | | | |

BRT Control the brightness. The resolution is 0.2IRE / LSB.

| | |
|-----|-------------|
| 0 | -25 IRE |
| : | : |
| 128 | 0 (default) |
| : | : |
| 255 | 25 IRE |

| VIN | Index | [7] | [6] | [5] | [4] | [3] | [2] | [1] | [0] |
|-----|-------|------|--------|-----|--------------|-----|-----|-----|----------|
| 0 | 0x0B | YBWI | COMBMD | | YPEAK_ MD | | | | YPEAK_GN |
| 1 | 0x1B | | | | | | | | |
| 2 | 0x2B | | | | | | | | |
| 3 | 0x3B | | | | | | | | |

YBWI Select the luminance trap filter mode
0 Narrow bandwidth trap filter mode (default)
1 Wide bandwidth trap filter mode

COMBMD Select the adaptive comb filter mode
0,1 Adaptive comb filter mode (default)
2 Force trap filter mode
3 Not supported

YPEAK_MD Select the luminance peaking frequency band
0 4~5 MHz frequency band (default)
1 2~4 MHz frequency band

YPEAK_GN Control the luminance peaking gain
0 No peaking (default)
1 12.5 %
2 25 %
3 37.5 %
4 50 %
5 62.5 %
6 75 %
7 87.5 %
8 100 %
9 112.5 %
10 125 %
11 137.5 %
12 150 %
13 162.5 %
14 175 %
15 187.5 %

| VIN | Index | [7] | [6] | [5] | [4] | [3] | [2] | [1] | [0] |
|-----|-------|-----|-----|-------|-----|-----|--------|-----|-----|
| 0 | 0x0C | 0 | 0 | CKILL | | | CTI_GN | | |
| 1 | 0x1C | | | | | | | | |
| 2 | 0x2C | | | | | | | | |
| 3 | 0x3C | | | | | | | | |

CKIL Control the color killing mode
 0,1 Auto detection mode (default)
 2 Color is always alive
 3 Color is always killed

CTI_GN Control the CTI gain
 0 No CTI
 1 12.5 %
 2 25 %
 3 37.5 %
 4 50 %
 5 62.5 %
 6 75 % (default)
 7 87.5 %
 8 100 %
 9 112.5 %
 10 125 %
 11 137.5 %
 12 150 %
 13 162.5 %
 14 175 %
 15 187.5 %

| VIN | Index | [7] | [6] | [5] | [4] | [3] | [2] | [1] | [0] |
|-----|-------|-----|-----|-----|-----|--------|--------------|-----|----------|
| 0 | 0x0D | 0 | 0 | 0 | 0 | ANA_SW | SW_ RESET | | WPEAK_MD |
| 1 | 0x1D | | | | | | | | |
| 2 | 0x2D | | | | | | | | |
| 3 | 0x3D | | | | | | | | |

ANA_SW

Control the analog input channel switch

- 0 VIN_A channel is selected (default)
- 1 VIN_B channel is selected

SW_RESET

Reset the system by software except control registers.

This bit is self-clearing in a few clocks after enabled.

- 0 Normal operation (default)
- 1 Enable soft reset

WPEAK_MD

Select the automatic white peak control mode.

- 0 No automatic white peak control (default)
- 1 Suppress the excessive white peak level into WPEAK_REF level
- 2 Increase the low level into WPEAK_REF level
- 3 Suppress and Increase the input level into WPEAK_REF level

| VIN | Index | [7] | [6] | [5] | [4] | [3] | [2] | [1] | [0] |
|-----|-------|-----|-----|-----|-----|-----|-----|-----|-----|
| 0 | 0x0E | 0 | 0 | 0 | 1 | 0 | 0 | 0 | 1 |
| 1 | 0x1E | | | | | | | | |
| 2 | 0x2E | | | | | | | | |
| 3 | 0x3E | | | | | | | | |

This control register is reserved for putting the part into test mode. For normal operation, the above value should be set in this register.

| Index | [7] | [6] | [5] | [4] | [3] | [2] | [1] | [0] |
|-------|---------|-----|-----------|-----|-----------|-----|------------|-----|
| 0x40 | PB_SDEL | | WPEAK_REF | | WPEAK_RNG | | WPEAK_TIME | |

PB_SDEL Control the start point of active video from ITU-R BT.656 digital playback input

- 0 No delay (default)
- 1 1ck delay of 27MHz
- 2 2ck delay of 27MHz
- 3 3ck delay of 27MHz

WPEAK_REF Control the white peak reference level for automatic white peak control

- 0 100 IRE (default)
- 1 110 IRE
- 2 130 IRE
- 3 140 IRE

WPEAK_RNG Control the range of automatic white peak control

- 0 -3 ~ 3 dB (default)
- 1 -6 ~ 6 dB
- 2,3 -9 ~ 9 dB

WPEAK_TIME Control the time constant of automatic white peak control loop

- 0 Slower (default)
- 1 Slow
- 2 Fast
- 3 Faster

| Index | [7] | [6] | [5] | [4] | [3] | [2] | [1] | [0] |
|-------|------------|----------|-----|-----|----------|----------|-----|-----|
| 0x41 | MPPCLK_OEB | VOGAINCX | | | 0 | VOGAINYX | | |
| 0x42 | 0 | | | | VOGAINYY | | | |

MPPCLK_OEB Control the tri-state of CLKMPP1/2 output pins
 0 Outputs are Tri-state (default)
 1 Outputs are enabled

VOGAIN Control the gain of analog video output for each DAC
 0 90.625 %
 1 93.75 %
 2 96.875 %
 3 100 %
 4 103.125 %
 5 106.25 %
 6 109.375 %
 7 112.5 %

| Index | [7] | [6] | [5] | [4] | [3] | [2] | [1] | [0] |
|-------|-----|-----|-----|-----|--------|-----|--------|-----|
| 0x43 | 0 | 1 | 0 | 0 | GNTIME | | OSTIME | |

GNTIME Control the time constant of gain tracking loop

- 0 Slower
- 1 Slow (default)
- 2 Fast
- 3 Faster

OSTIME Control the time constant of offset tracking loop

- 0 Slower
- 1 Slow (default)
- 2 Fast
- 3 Faster

| Index | [7] | [6] | [5] | [4] | [3] | [2] | [1] | [0] |
|-------|-----|-----|---------|-----|-----|-----|-----|-----|
| 0x44 | 1 | 0 | HSWIDTH | | | | | |

HSWIDTH Define the width of horizontal sync output.
A unit is 1 pixel. The default value is decimal 32.

| Index | [7] | [6] | [5] | [4] | [3] | [2] | [1] | [0] |
|-------|---------|-----|--------|--------|-------|-------|-----|-----|
| 0x45 | FLDMODE | | VSMODE | FLDPOL | HSPOL | VSPOL | 1 | 0 |

FLDMODE Select the field flag generation mode

- 0 Field flag is detected from incoming video
- 1 Field flag is generated from small accumulator of detected field
- 2 Field flag is generated from medium accumulator of detected field
- 3 Field flag is generated from large accumulator of detected field (default)

VSMODE Control the VS and field flag timing

- 0 VS and field flag is aligned with vertical sync of incoming video (default)
- 1 VS and field flag is aligned with HS

FLDPOL Select the FLD polarity

- 0 Odd field is high
- 1 Even field is high (default)

HSPOL Select the HS polarity

- 0 Low for sync duration (default)
- 1 High for sync duration

VSPOL Select the VS polarity

- 0 Low for sync duration (default)
- 1 High for sync duration

Note: 0x45 Bit 1:0 default value after reset is 2'b00. The firmware need to always set it to 2'b10.

| Index | [7] | [6] | [5] | [4] | [3] | [2] | [1] | [0] |
|-------|--------|-----|------|-----|---------|-----|---------|-----|
| 0x46 | IFCOMP | | CLPF | | ACCTIME | | APCTIME | |

IFCOMP Select the IF-compensation filter mode

- 0 No compensation (default)
- 1 +1 dB/ MHz
- 2 +2 dB/ MHz
- 3 +3 dB/ MHz

CLPF Select the Color LPF mode

- 0 550KHz bandwidth
- 1 750KHz bandwidth (default)
- 2 950KHz bandwidth
- 3 1.1MHz bandwidth

ACCTIME Control the time constant of auto color control loop

- 0 Slower
- 1 Slow
- 2 Fast
- 3 Faster (default)

APCTIME Control the time constant of auto phase control loop

- 0 Slower
- 1 Slow
- 2 Fast
- 3 Faster (default)

| Index | [7] | [6] | [5] | [4] | [3] | [2] | [1] | [0] |
|-------|-----|-----|--------|-----|-----|------|-----|-----|
| 0x47 | 0 | 1 | C_CORE | | 0 | CDEL | | |

- C_CORE** Coring to reduce the noise in the chrominance
- 0 No coring
 - 1 Coring value is within 128 +/- 1 range
 - 2 Coring value is within 128 +/- 2 range (default)
 - 3 Coring value is within 128 +/- 4 range

- CDEL** Adjust the group delay of chrominance path relative to luminance
- 0 -2.0 pixel
 - 1 -1.5 pixel
 - 2 -1.0 pixel
 - 3 -0.5 pixel
 - 4 0.0 pixel (default)
 - 5 0.5 pixel
 - 6 1.0 pixel
 - 7 1.5 pixel

| Index | [7] | [6] | [5] | [4] | [3] | [2] | [1] | [0] |
|-------|--------|-----|-----|-----|-----|-----|-----|-----|
| 0x48 | U_GAIN | | | | | | | |

U_GAIN Adjust gain for U (or Cb) component. The resolution is 0.8% / LSB.

| | |
|-----|-----------------|
| 0 | 0 % |
| : | : |
| 128 | 100 % (default) |
| : | : |
| 255 | 200 % |

| Index | [7] | [6] | [5] | [4] | [3] | [2] | [1] | [0] |
|-------|--------|-----|-----|-----|-----|-----|-----|-----|
| 0x49 | V_GAIN | | | | | | | |

V_GAIN Adjust gain for V (or Cr) component. The resolution is 0.8% / LSB.

| | |
|-----|-----------------|
| 0 | 0 % |
| : | : |
| 128 | 100 % (default) |
| : | : |
| 255 | 200 % |

| Index | [7] | [6] | [5] | [4] | [3] | [2] | [1] | [0] |
|-------|-------|-----|-----|-----|-----|-----|-----|-----|
| 0x4A | U_OFF | | | | | | | |

U_OFF U (or Cb) offset adjustment register. The resolution is 0.4% / LSB.

0 -50 %
: :
128 0 % (default)
: :
255 50 %

| Index | [7] | [6] | [5] | [4] | [3] | [2] | [1] | [0] |
|-------|-------|-----|-----|-----|-----|-----|-----|-----|
| 0x4B | V_OFF | | | | | | | |

V_OFF V (or Cr) offset adjustment register. The resolution is 0.4% / LSB.

0 -50 %
: :
128 0 % (default)
: :
255 50 %

| Index | [7] | [6] | [5] | [4] | [3] | [2] | [1] | [0] |
|-------|-----|-----|-------------|-------------|---------|-----|-----|-----|
| 0x4C | 0 | 0 | ADAC_ PD | AADC_ PD | VADC_PD | | | |

ADAC_PD Power down the audio DAC.
 0 Normal operation (default)
 1 Power down

AADC_PD Power down the audio ADC.
 0 Normal operation (default)
 1 Power down

VADC_PD Power down the video ADC.
 VADC_PD[3:0] stands for CH3 to CH0.
 0 Normal operation (default)
 1 Power down

| Index | [7] | [6] | [5] | [4] | [3] | [2] | [1] | [0] |
|-------|-----|-----|-----|-----|----------|-----|-----|-----|
| 0x4D | 0 | 0 | 0 | 0 | NOVID_MD | | 1 | 1 |

NOVID_MD Select the No-video flag generation mode
 0 Faster
 1 Fast
 2 Slow
 3 Slower (default)

| Index | [7] | [6] | [5] | [4] | [3] | [2] | [1] | [0] |
|-------|-----|-----|-----|-----|-----|-----|-----|-----|
| 0x4E | 0 | 0 | 0 | 0 | 0 | 1 | 0 | 1 |
| 0x4F | 0 | 0 | 0 | 0 | 0 | 0 | 0 | 0 |
| 0x50 | 0 | 0 | 0 | 0 | 0 | 0 | 0 | 0 |
| 0x51 | 1 | 0 | 0 | 0 | 0 | 0 | 0 | 0 |
| 0x52 | 0 | 0 | 0 | 0 | 0 | 1 | 1 | 0 |
| 0x53 | 0 | 0 | 0 | 0 | 0 | 0 | 0 | 0 |
| 0x54 | 0 | 0 | 0 | 0 | 0 | 0 | 0 | 0 |

This control register is reserved for putting the part into test mode. For normal operation, the above value should be set in this register.

| Index | [7] | [6] | [5] | [4] | [3] | [2] | [1] | [0] |
|-------|-----|-----|-----|-----|-----|-----|-----|-----|
| 0x55 | FLD | | | | VAV | | | |

FLD Status of the field flag for corresponding channel (*Read only*)
 FLD[3:0] stands for VIN3 to VIN0.
 0 Odd field when FLDPOL (0x46) = 1
 1 Even field when FLDPOL (0x46) = 1

VAV Status of the vertical active video signal for corresponding channel (*Read only*). VAV[3:0] stands for VIN3 to VIN0.
 0 Vertical blanking time
 1 Vertical active time

| Index | [7] | [6] | [5] | [4] | [3] | [2] | [1] | [0] |
|-------|---------|-----|-----|-----|---------|-----|-----|-----|
| 0x60 | AIGAIN1 | | | | AIGAIN0 | | | |
| 0x61 | AIGAIN3 | | | | AIGAIN2 | | | |

AIGAIN

Select the amplifier's gain for each analog audio input AIN0 ~ AIN3.

| | |
|----|----------------|
| 0 | 0.25 |
| 1 | 0.31 |
| 2 | 0.38 |
| 3 | 0.44 |
| 4 | 0.50 |
| 5 | 0.63 |
| 6 | 0.75 |
| 7 | 0.88 |
| 8 | 1.00 (default) |
| 9 | 1.25 |
| 10 | 1.50 |
| 11 | 1.75 |
| 12 | 2.00 |
| 13 | 2.25 |
| 14 | 2.50 |
| 15 | 2.75 |

| Index | [7] | [6] | [5] | [4] | [3] | [2] | [1] | [0] |
|-------|---------|-----|----------|------------|-----------|------------|-----------|---------|
| 0x62 | M_PBSEL | | M_RLSWAP | RM_BITRATE | RM_DATMOD | RM_SAMRATE | RM_BITWID | RM_SYNC |

- M_PBSEL** Select the playback audio data on the ADATM / AOUT pin.
- 0 The playback audio input from the first stage chip (default)
 - 1 The playback audio input from the second stage chip
 - 2 The playback audio input from the third stage chip
 - 3 The playback audio input from the last stage chip
- M_RLSWAP** Define the sequence of mixing and playback audio data on the ADATM pin.
- 0 Mixing audio on left channel and playback audio on right channel (default)
 - 1 Playback audio on left channel and mixing audio on right channel
- RM_BITRATE** Define the bit rate for record and mixing audio on the ACLKR, ASYNR, ADATR and ADATM pin.
- 0 256 bit per sample period (256fs) (default)
 - 1 384 bit per sample period (384fs)
- RM_DATMOD** Define the data mode on the ADATR and ADATM pin.
- 0 2's complement data mode (default)
 - 1 Straight binary data mode
- RM_SAMRATE** Define the sample rate for record and mixing audio on the ACLKR, ASYNR, ADATR and ADATM pin.
- 0 8KHz (default)
 - 1 16KHz
- RM_BITWID** Define the bit width for record and mixing audio on the ADATR and ADATM pin.
- 0 16 bit (default)
 - 1 8 bit
- RM_SYNC** Define the digital serial audio data format for record and mixing audio on the ACLKR, ASYNR, ADATR and ADATM pin.
- 0 I2S format (default)
 - 1 DSP format

| Index | [7] | [6] | [5] | [4] | [3] | [2] | [1] | [0] |
|-------|-----|-----|-----|-----|-----|---------|----------|-----|
| 0x63 | 0 | 0 | 0 | 0 | 0 | R_ADATM | R_MULTCH | |

R_ADATM Select the output mode for the ADATM pin.
0 Digital serial data of mixing audio (default)
1 Digital serial data of record audio

R_MULTCH Define the number of audio for record on the ADATR pin.
0 2 audios (default)
1 4 audios
2 8 audios
3 16 audios

| Index | [7] | [6] | [5] | [4] | [3] | [2] | [1] | [0] |
|-------|---------|-----|-----|-----|---------|-----|-----|-----|
| 0x64 | R_SEQ_1 | | | | R_SEQ_0 | | | |
| 0x65 | R_SEQ_3 | | | | R_SEQ_2 | | | |
| 0x66 | R_SEQ_5 | | | | R_SEQ_4 | | | |
| 0x67 | R_SEQ_7 | | | | R_SEQ_6 | | | |
| 0x68 | R_SEQ_9 | | | | R_SEQ_8 | | | |
| 0x69 | R_SEQ_B | | | | R_SEQ_A | | | |
| 0x6A | R_SEQ_D | | | | R_SEQ_C | | | |
| 0x6B | R_SEQ_F | | | | R_SEQ_E | | | |

R_SEQ

Define the sequence of record audio on the ADATR pin.

Refer to the Fig16 and Table5 for the detail of the R_SEQ_0 ~ R_SEQ_F.

The default value of R_SEQ_0 is "0", R_SEQ_1 is "1", ... and R_SEQ_F is "F".

```

0  AIN1
1  AIN2
:  :
:  :
14 AIN15
15 AIN16

```

| Index | [7] | [6] | [5] | [4] | [3] | [2] | [1] | [0] |
|-------|-----|---------------|--------------|----------------|---------------|----------------|---------------|-------------|
| 0x6C | 0 | PB_ MASTER | PB_ LRSEL | PB_ BITRATE | PB_ DATMOD | PB_ SAMRATE | PB_ BITWID | PB_ SYNC |

- PB_MASTER** Define the operation mode of the ACLKP and ASYNP pin for playback.
- 0 Slaver mode (ACLKP and ASYNP is input mode) (default)
 - 1 Master mode (ACLKP and ASYNP is output mode)
- PB_LRSEL** Select the channel for playback.
- 0 Left channel audio is used for playback input. (default)
 - 1 Right channel audio is used for playback input.
- PB_BITRATE** Define the bit rate for playback audio on the ACLKP, ASYNP and ADATP pin.
- 0 256 bit per sample period (256fs) (default)
 - 1 384 bit per sample period (384fs)
- PB_DATMOD** Define the data mode on the ADATP pin.
- 0 2's complement data mode (default)
 - 1 Straight binary data mode
- PB_SAMRATE** Define the sample rate for playback audio on the ACLKP, ASYNP and ADATP pin.
- 0 8KHz (default)
 - 1 16KHz
- PB_BITWID** Define the bit width for playback audio on the ADATP pin.
- 0 16 bit (default)
 - 1 8 bit
- PB_SYNC** Define the digital serial audio data format for playback audio on the ACLKP, ASYNP and ADATP pin.
- 0 I2S format (default)
 - 1 DSP format

| Index | [7] | [6] | [5] | [4] | [3] | [2] | [1] | [0] |
|-------|-----|-----|--------------|----------|-----|-----|-----|-----|
| 0x6D | 0 | 0 | MIX_ DERATIO | MIX_MUTE | | | | |

MIX_DERATIO Disable the mixing ratio value for all audio.
 0 Apply individual mixing ratio value for each audio (default)
 1 Apply nominal value for all audio commonly

MIX_MUTE Enable the mute function for each audio. It effects only for mixing.
 MIX_MUTE[0] : Audio input AIN0.
 MIX_MUTE[1] : Audio input AIN1.
 MIX_MUTE[2] : Audio input AIN2.
 MIX_MUTE[3] : Audio input AIN3.
 MIX_MUTE[4] : Playback audio input.
 It effects only for single chip or the last stage chip
 0 Normal
 1 Muted (default)

| Index | [7] | [6] | [5] | [4] | [3] | [2] | [1] | [0] |
|-------|------------|-----|-----|-----|-------------|-----|-----|-----|
| 0x6E | MIX_RATIO1 | | | | MIX_RATIO0 | | | |
| 0x6F | MIX_RATIO3 | | | | MIX_RATIO2 | | | |
| 0x70 | AOGAIN | | | | MIX_RATIOOP | | | |

MIX_RATIO

Define the ratio values for audio mixing.

MIX_RATIO0 : Audio input AIN0.

MIX_RATIO1 : Audio input AIN1.

MIX_RATIO2 : Audio input AIN2.

MIX_RATIO3 : Audio input AIN3.

MIX_RATIOOP : Playback audio input.

It effects only for single chip or the last stage chip.

| | |
|----|----------------|
| 0 | 0.25 |
| 1 | 0.31 |
| 2 | 0.38 |
| 3 | 0.44 |
| 4 | 0.50 |
| 5 | 0.63 |
| 6 | 0.75 |
| 7 | 0.88 |
| 8 | 1.00 (default) |
| 9 | 1.25 |
| 10 | 1.50 |
| 11 | 1.75 |
| 12 | 2.00 |
| 13 | 2.25 |
| 14 | 2.50 |
| 15 | 2.75 |

| Index | [7] | [6] | [5] | [4] | [3] | [2] | [1] | [0] |
|-------|--------|-----|-----|-----|-----------|-----|-----|-----|
| 0x70 | AOGAIN | | | | MIX_RATIO | | | |

AOGAIN

Define the amplifier gain for analog audio output.

| | |
|----|----------------|
| 0 | 0.25 |
| 1 | 0.31 |
| 2 | 0.38 |
| 3 | 0.44 |
| 4 | 0.50 |
| 5 | 0.63 |
| 6 | 0.75 |
| 7 | 0.88 |
| 8 | 1.00 (default) |
| 9 | 1.25 |
| 10 | 1.50 |
| 11 | 1.75 |
| 12 | 2.00 |
| 13 | 2.25 |
| 14 | 2.50 |
| 15 | 2.75 |

| Index | [7] | [6] | [5] | [4] | [3] | [2] | [1] | [0] |
|-------|-----|-----|----------|------------|-----|-----|-----|-----|
| 0x71 | 0 | 1 | MIX_MODE | MIX_OUTSEL | | | | |

MIX_MODE Control the mixing mode for audio mixing.

- 0 Average mode (default)
- 1 Just summation mode

MIX_OUTSEL Define the final audio output for analog and digital mixing out.

- 0 Select record audio of channel 0
- 1 Select record audio of channel 1
- 2 Select record audio of channel 2
- 3 Select record audio of channel 3
- 4 Select record audio of channel 4
- 5 Select record audio of channel 5
- 6 Select record audio of channel 6
- 7 Select record audio of channel 7
- 8 Select record audio of channel 8
- 9 Select record audio of channel 9
- 10 Select record audio of channel 10
- 11 Select record audio of channel 11
- 12 Select record audio of channel 12
- 13 Select record audio of channel 13
- 14 Select record audio of channel 14
- 15 Select record audio of channel 15
- 16 Select playback audio of the first stage chip
- 17 Select playback audio of the second stage chip
- 18 Select playback audio of the third stage chip
- 19 Select playback audio of the last stage chip
- 20 Select mixed audio (default)

| Index | [7] | [6] | [5] | [4] | [3] | [2] | [1] | [0] |
|-------|-----|-----|-----|-----|-----|-----|-----|-----|
| 0x72 | 0 | 0 | 0 | 0 | 0 | 0 | 0 | 0 |
| 0x73 | 0 | 0 | 0 | 0 | 0 | 0 | 0 | 0 |
| 0x74 | 0 | 0 | 0 | 0 | 0 | 0 | 0 | 0 |

This control register is reserved for putting the part into test mode. For normal operation, the above value should be set in this register.

| CH | Index | [7] | [6] | [5] | [4] | [3] | [2] | [1] | [0] |
|----|-------|------------|-----|-----|-----|---------|-----|---------|-----|
| 0 | 0x80 | DEC_PATH_X | | 0 | 0 | VSFLT_X | | HSFLT_X | |
| 1 | 0x90 | | | | | | | | |
| 2 | 0xA0 | | | | | | | | |
| 3 | 0xB0 | | | | | | | | |

DEC_PATH_X Select the video input for each channel scaler in display path.

- 0 Video input from internal video decoder on VIN0 pin (default)
- 1 Video input from internal video decoder on VIN1 pin
- 2 Video input from internal video decoder on VIN2 pin
- 3 Video input from internal video decoder on VIN3 pin

VSFLT_X Select the vertical anti-aliasing filter mode for display path.

- 0 Full bandwidth (default)
- 1 0.25 Line-rate bandwidth
- 2,3 0.18 Line-rate bandwidth

HSFLT_X Select the horizontal anti-aliasing filter mode for display path.

- 0 Full bandwidth (default)
- 1 2 MHz bandwidth
- 2 1.5 MHz bandwidth
- 3 1 MHz bandwidth

| Path | CH | Index | [7] | [6] | [5] | [4] | [3] | [2] | [1] | [0] |
|------|------|-------|-----------------|-----|-----|-----|-----|-----|-----|-----|
| X | 0 | 0x81 | VSCALE_X[15:8] | | | | | | | |
| | 1 | 0x91 | | | | | | | | |
| | 2 | 0xA1 | | | | | | | | |
| | 3 | 0xB1 | | | | | | | | |
| | 0 | 0x82 | VSCALE_X[7:0] | | | | | | | |
| | 1 | 0x92 | | | | | | | | |
| | 2 | 0xA2 | | | | | | | | |
| 3 | 0xB2 | | | | | | | | | |
| PB | 0 | 0x86 | VSCALE_PB[15:8] | | | | | | | |
| | 1 | 0x96 | | | | | | | | |
| | 2 | 0xA6 | | | | | | | | |
| | 3 | 0xB6 | | | | | | | | |
| | 0 | 0x87 | VSCALE_PB[7:0] | | | | | | | |
| | 1 | 0x97 | | | | | | | | |
| | 2 | 0xA7 | | | | | | | | |
| 3 | 0xB7 | | | | | | | | | |

VSCALE The 16 bit register defines a vertical scaling ratio. The actual vertical scaling ratio is $VSCALE/(2^{16} - 1)$. The default value is 0xFFFF.

| Path | CH | Index | [7] | [6] | [5] | [4] | [3] | [2] | [1] | [0] |
|------|------|-------|-----------------|-----|-----|-----|-----|-----|-----|-----|
| X | 0 | 0x83 | HSCALE_X[15:8] | | | | | | | |
| | 1 | 0x93 | | | | | | | | |
| | 2 | 0xA3 | | | | | | | | |
| | 3 | 0xB3 | | | | | | | | |
| | 0 | 0x84 | HSCALE_X[7:0] | | | | | | | |
| | 1 | 0x94 | | | | | | | | |
| | 2 | 0xA4 | | | | | | | | |
| 3 | 0xB4 | | | | | | | | | |
| PB | 0 | 0x88 | HSCALE_PB[15:8] | | | | | | | |
| | 1 | 0x98 | | | | | | | | |
| | 2 | 0xA8 | | | | | | | | |
| | 3 | 0xB8 | | | | | | | | |
| | 0 | 0x89 | HSCALE_PB[7:0] | | | | | | | |
| | 1 | 0x99 | | | | | | | | |
| | 2 | 0xA9 | | | | | | | | |
| 3 | 0xB9 | | | | | | | | | |

HSCALE The 16 bit register defines a horizontal scaling ratio. The actual horizontal scaling ratio is $HSCALE/(2^{16} - 1)$. The default value is 0xFFFF.

| CH | Index | [7] | [6] | [5] | [4] | [3] | [2] | [1] | [0] |
|----|-------|-----|-----|-----|-----|----------|-----|----------|-----|
| 0 | 0x85 | 0 | 0 | 0 | 0 | VSFLT_PB | | HSFLT_PB | |
| 1 | 0x95 | | | | | | | | |
| 2 | 0xA5 | | | | | | | | |
| 3 | 0xB5 | | | | | | | | |

VSFLT_PB Select the vertical anti-aliasing filter mode for PB path.

- 0 Full bandwidth (default)
- 1 0.25 Line-rate bandwidth
- 2,3 0.18 Line-rate bandwidth

HSFLT_PB Select the horizontal anti-aliasing filter mode for PB path.

- 0 Full bandwidth (default)
- 1 2 MHz bandwidth
- 2 1.5 MHz bandwidth
- 3 1 MHz bandwidth

| CH | Index | [7] | [6] | [5] | [4] | [3] | [2] | [1] | [0] |
|----|-------|-----|-----|--------------|--------------|---------|-----|---------|-----|
| 0 | 0x8A | 0 | | VSCALE_ Y | HSCALE_ Y | VSFLT_Y | | HSFLT_Y | |
| 1 | 0x9A | 1 | | | | | | | |
| 2 | 0xAA | 2 | | | | | | | |
| 3 | 0xBA | 3 | | | | | | | |

VSCALE_Y Enable the half vertical scaling for record path.
 0 Disable the vertical scaling (default)
 1 Enable the half vertical scaling

HSCALE_Y Enable the half horizontal scaling for record path.
 0 Disable the horizontal scaling (default)
 1 Enable the half horizontal scaling

VSFLT_PB Select the vertical anti-aliasing filter mode for record path.
 0 Full bandwidth (default)
 1 0.25 Line-rate bandwidth
 2,3 0.18 Line-rate bandwidth

HSFLT_PB Select the horizontal anti-aliasing filter mode for record path.
 0 Full bandwidth (default)
 1 2 MHz bandwidth
 2 1.5 MHz bandwidth
 3 1 MHz bandwidth

| CH | Index | [7] | [6] | [5] | [4] | [3] | [2] | [1] | [0] |
|----|-------|----------------|-----|-------------------|------------------|------------------|-----|----------------|-----|
| 0 | 0x8F | 0 | 0 | VACTIVE_ PB[8] | VDELAY_ PB[8] | HACITIVE_PB[9:8] | | HDELAY_PB[9:8] | |
| 1 | 0x9F | | | | | | | | |
| 2 | 0xAF | | | | | | | | |
| 3 | 0xBF | | | | | | | | |
| 0 | 0x8B | HDELAY_PB[7:0] | | | | | | | |
| 1 | 0x9B | | | | | | | | |
| 2 | 0xAB | | | | | | | | |
| 3 | 0xBB | | | | | | | | |

HDELAY_PB This 10bit register defines the starting location of horizontal active pixel for PB path. A unit is 1 pixel. The default value is decimal 0.

| CH | Index | [7] | [6] | [5] | [4] | [3] | [2] | [1] | [0] |
|----|-------|-----------------|-----|-------------------|------------------|------------------|-----|----------------|-----|
| 0 | 0x8F | 0 | 0 | VACTIVE_ PB[8] | VDELAY_ PB[8] | HACITIVE_PB[9:8] | | HDELAY_PB[9:8] | |
| 1 | 0x9F | | | | | | | | |
| 2 | 0xAF | | | | | | | | |
| 3 | 0xBF | | | | | | | | |
| 0 | 0x8C | HACTIVE_PB[7:0] | | | | | | | |
| 1 | 0x9C | | | | | | | | |
| 2 | 0xAC | | | | | | | | |
| 3 | 0xBC | | | | | | | | |

HACTIVE_PB This 10bit register defines the number of horizontal active pixel for PB path. A unit is 1 pixel. The default value is decimal 720.

| CH | Index | [7] | [6] | [5] | [4] | [3] | [2] | [1] | [0] |
|----|-------|----------------|-----|-------------------|------------------|------------------|----------------|-----|-----|
| 0 | 0x8F | 0 | 0 | VACTIVE_ PB[8] | VDELAY_ PB[8] | HACITIVE_PB[9:8] | HDELAY_PB[9:8] | | |
| 1 | 0x9F | | | | | | | | |
| 2 | 0xAF | | | | | | | | |
| 3 | 0xBF | | | | | | | | |
| 0 | 0x8D | VDELAY_PB[7:0] | | | | | | | |
| 1 | 0x9D | | | | | | | | |
| 2 | 0xAD | | | | | | | | |
| 3 | 0xBD | | | | | | | | |

VDELAY_PB This 9bit register defines the starting location of vertical active for PB path. A unit is 1 line. The default value is decimal 0.

| CH | Index | [7] | [6] | [5] | [4] | [3] | [2] | [1] | [0] |
|----|-------|-----------------|-----|-------------------|------------------|------------------|----------------|-----|-----|
| 0 | 0x8F | 0 | 0 | VACTIVE_ PB[8] | VDELAY_ PB[8] | HACITIVE_PB[9:8] | HDELAY_PB[9:8] | | |
| 1 | 0x9F | | | | | | | | |
| 2 | 0xAF | | | | | | | | |
| 3 | 0xBF | | | | | | | | |
| 0 | 0x8E | VACTIVE_PB[7:0] | | | | | | | |
| 1 | 0x9E | | | | | | | | |
| 2 | 0xAE | | | | | | | | |
| 3 | 0xBE | | | | | | | | |

VACTIVE_PB This 9bit register defines the number of vertical active lines for PB path. A unit is 1 line. The default value is decimal 240.

| Index | [7] | [6] | [5] | [4] | [3] | [2] | [1] | [0] |
|-------|-----|---------------|-----|-----|----------------|----------------|-----------|-----|
| 0xC0 | 0 | PB_ FLDPOL | 0 | 0 | MAN_ PBCROP | PB_ CROP_MD | PB_ACT_MD | |

- PB_FLDPOL** Select the FLD polarity of playback input
- 0 Even field is high
 - 1 Odd field is high
- MAN_PB_CROP** Select manual cropping mode for playback input
- 0 Auto cropping mode with fixed cropping position (default)
 - 1 Manual cropping mode with HDELAY/HACTIVE and VDELAY/VACTIVE
- PB_CROP_MD** Select the cropping mode for playback input
- 0 Normal record mode or frame record mode (default)
 - 1 Cropping for DVR record mode or DVR frame record mode input
- PB_ACT_MD** Select the horizontal active size for playback input when MAN_PB_CROP is low
- 0 720 pixels (default)
 - 1 704 pixels
 - 2/3 640 pixels

| Index | [7] | [6] | [5] | [4] | [3] | [2] | [1] | [0] |
|-------|----------------|-----------------|------------|-----|-----|------------|-----|-----|
| 0xC1 | LIM_656_ PB | LIM_656_ X | LIM_656_Y1 | | | LIM_656_Y0 | | |
| 0xC2 | 0 | LIM_656_ DEC | LIM_656_Y3 | | | LIM_656_Y2 | | |

LMT_656_PB Control the range of output level for PB path.
 0 Output ranges are limited to 1 ~ 254 (default)
 1 Output ranges are limited to 16 ~ 235

LMT_656_X Control the range of output level for display path.
 0 Output ranges are limited to 1 ~ 254 (default)
 1 Output ranges are limited to 16 ~ 235

LMT_656_Y Control the range of output level for record path.
 0 Output ranges are limited to 1 ~ 254 (default)
 1 Output ranges are limited to 16 ~ 254
 2 Output ranges are limited to 24 ~ 254
 3 Output ranges are limited to 32 ~ 254
 4 Output ranges are limited to 1 ~ 235
 5 Output ranges are limited to 16 ~ 235
 6 Output ranges are limited to 24 ~ 235
 7 Output ranges are limited to 32 ~ 235

LMT_656_DEC Control the range of output level for decoder bypass mode.
 0 Output ranges are limited to 1 ~ 254 (default)
 1 Output ranges are limited to 16 ~ 235

| Index | [7] | [6] | [5] | [4] | [3] | [2] | [1] | [0] |
|-------|-----------|-----|-----|-----|----------|----------------|---------------|---------------|
| 0xC3 | BGNDEN_PB | | | | BGNDCOL | AUTO BGNDPB | AUTO BGNDY | AUTO BGNDX |
| 0xC4 | BGNDEN_Y | | | | BGNDEN_X | | | |

- BGNDEN** Enable the background color for each channel.
BGNDEN[3:0] stands for CH3 to CH0.
- 0 Background color is disabled (default)
 - 1 Background color is enabled
- BLKCOL** Select the background color when BGNDEN = "1".
- 0 Blue color (default)
 - 1 Black color
- AUTO_BGND** Select the decoder background mode.
- 0 Manual background mode (default)
 - 1 Automatic background mode when No-video is detected.

| Index | [7] | [6] | [5] | [4] | [3] | [2] | [1] | [0] |
|-------|-----------|-----|-----|-----|------------|-----|-----|-----|
| 0xC5 | PAL_DLY_Y | | | | PAL_DLY_X | | | |
| 0xC6 | 1 | 1 | 1 | 1 | PAL_DLY_PB | | | |

PAL_DLY

Select the PAL delay line mode.

- 0 Vertical scaling mode is selected in chrominance path (default)
- 1 PAL delay line mode is selected in chrominance path

Note: The default value after reset of 0xC6 is 0. 0xC6 bit [7:4] need to be set to F by the firmware.

| Index | [7] | [6] | [5] | [4] | [3] | [2] | [1] | [0] |
|-------|-----|-----|-----|-----|-----|-----|-----|-----|
| 0xC7 | 1 | 1 | 1 | 1 | 1 | 1 | 1 | 1 |

This control register is reserved for putting the part into test mode. For normal operation, the above value should be set in this register. The default value of 0xC7 after reset is 0. It should be set by the firmware to FF.

| Index | [7] | [6] | [5] | [4] | [3] | [2] | [1] | [0] |
|-------|-----|-----|-----|-----|-----|-----------------|----------------|----------------|
| 0xC8 | 0 | 0 | 0 | 0 | 0 | FLD_ OFST_PB | FLD_ OFST_Y | FLD_ OFST_X |

FLDOS

Remove the field offset between ODD and EVEN field.

- 0 Normal operation (default)
- 1 Remove the field offset between ODD and EVEN field

| Index | [7] | [6] | [5] | [4] | [3] | [2] | [1] | [0] |
|-------|-----|-----|-----|-----|-----|-----|-----|-----|
| 0xC9 | 0 | 0 | 1 | 1 | 1 | 1 | 0 | 0 |

This control register is reserved for putting the part into test mode. For normal operation, the above value should be set in this register.

| Index | [7] | [6] | [5] | [4] | [3] | [2] | [1] | [0] |
|-------|-----|----------|-----|-----|-----|-----|-----|-----|
| 0xCA | 0 | OUT_CHID | 0 | 0 | 1 | 1 | 1 | 1 |

OUT_CHID Enable the channel ID format in the horizontal blanking period for Decoder Bypass mode

0 Disable the channel ID format (default)

1 Enable the channel ID format

| Index | [7] | [6] | [5] | [4] | [3] | [2] | [1] | [0] |
|-------|----------|-----|-----|-----|-----|----------|-----|-----|
| 0xFE | DEV_ID * | | | | | REV_ID * | | |

Notes “**” stand for read only register

DEV_ID The TW2835 product ID code is 00101.

REV_ID The revision number.

| Index | [7] | [6] | [5] | [4] | [3] | [2] | [1] | [0] |
|-------|----------|---------|-----------------|-----------------|-----------|-----------|----------|-----|
| 1x00 | SYS_5060 | OVERLAY | LINK _LAST_X | LINK _LAST_Y | LINK_EN_X | LINK_EN_Y | LINK_NUM | |

- SYS_5060** Select the standard format for video controller.
- 0 60Hz, 525 line format (default)
 - 1 50Hz, 625 line format
- OVERLAY** Control the overlay between display and record path.
- 0 Disable the overlay (default)
 - 1 Enable the overlay
- LINK_LAST** Define the lowest slaver chip in chip-to-chip cascade operation.
- 0 Master or middle slaver chip (default)
 - 1 The lowest slaver chip
- LINK_EN** Control the chip-to-chip cascade operation for display and record path.
- 0 Disable the cascade operation (default)
 - 1 Enable the cascade operation
- LINK_NUM** Define the stage number of chip-to-chip cascade connection.
- 0 Master chip (default)
 - 1 1st slaver chip
 - 2 2nd slaver chip
 - 3 3rd slaver chip

| Path | Index | [7] | [6] | [5] | [4] | [3] | [2] | [1] | [0] |
|------|-------|-----|-----|-----|--------|-----------|-----------|----------|-----|
| X | 1x01 | 0 | 0 | 0 | TBLINK | FRZ_FRAME | DUAL_PAGE | STRB_FLD | |

- TBLINK** Control the blink period of channel boundary.
- 0 Blink for every 30 fields (default)
 - 1 Blink for every 60 fields
- FRZ_FRAME** Select the field or frame mode on freeze status.
- 0 Field display mode (default)
 - 1 Frame display mode
- DUAL_PAGE** Enable the dual page operation.
- 0 Normal strobe operation for each channel (default)
 - 1 Enable the dual page operation
- STRB_FLD** Control the field mode for strobe operation.
- 0 Capture odd field only (default)
 - 1 Capture even field only
 - 2 Capture first field of any field
 - 3 Capture frame

| Path | Index | [7] | [6] | [5] | [4] | [3] | [2] | [1] | [0] |
|------|-------|------------|----------|-----|----------|-----------|-----|-----|-----|
| X | 1x02 | RECALL_FLD | SAVE_FLD | | SAVE_HID | SAVE_ADDR | | | |

RECALL_FLD Select the field or frame data on recalling picture.

- 0 Recall frame data from SDRAM (default)
- 1 Recall field data from SDRAM

SAVE_FLD Select the field or frame data to save.

- 0 Save first odd field data to SDRAM (default)
- 1 Save first even field data to SDRAM
- 2 Save first any field data to SDRAM
- 3 Save first frame (odd and even field) data to SDRAM

SAVE_HID Control the priority to save picture.

- 0 Save picture as shown in screen (default)
- 1 Save picture even though hidden under other picture

SAVE_ADDR Define the save address of SDRAM.

The unit address has 4Mbit memory space.

- 0-3 Reserved for normal operation. Do not use this address.
(default = 0)
- 4-11 Available address for 64M SDRAM
- 12-15 Reserved for normal operation. Do not use this address.

| Path | Index | [7] | [6] | [5] | [4] | [3] | [2] | [1] | [0] |
|------|-------|----------|-----|-----|-----|-----|-----|-----|-----|
| X | 1x03 | SAVE_REQ | | | | | | | |

SAVE_REQ Request to save for each channel.

SAVE_REQ[7:0] stands for channel 7 to 0

- 0 None operation (default)
- 1 Request to start saving picture

| Path | Index | [7] | [6] | [5] | [4] | [3] | [2] | [1] | [0] |
|------|-------|----------|-----|-----|-----|-----|-----|-----|-----|
| X | 1x04 | STRB_REQ | | | | | | | |

STRB_REQ Request strobe operation.
 STRB_REQ[7:0] stands for channel 7 to 0
 0 None operation (default)
 1 Request to start strobe operation

| Path | Index | [7] | [6] | [5] | [4] | [3] | [2] | [1] | [0] |
|------|-------|------------|-----|-----|-----|--------------|--------------|-----|-----|
| X | 1x05 | NOVID_MODE | 0 | 0 | 0 | AUTO_ENHANCE | INVALID_MODE | | |

NOVID_MODE Select the indication method for no-video channel
 0 Bypass (default)
 1 Capture last image
 2 Blanked with blank color
 3 Capture last image and blink channel boundary

AUTO_ENHANCE Enable auto enhancement mode in field display mode
 0 Manual enhancement mode in field display mode (default)
 1 Auto enhancement mode in field display mode

INVALID_MODE Select the indication mode for no channel area
 In horizontal and vertical active region
 0 Background layer with background color (default)
 1 Y = 0, Cb/Cr = 128
 2 Y/Cb/Cr = 0
 3 Y/Cb/Cr = 0
 In horizontal and vertical blanking region
 0 Y = 16, Cb/Cr = 128 (default)
 1 Background layer with background color
 2 Y = 0, Cb = {0, F, V, 0, Cascade, linenum[8:7]}, Cr = {0, linenum[6:0]}
 3 Y/Cb/Cr = 0

| Path | Index | [7] | [6] | [5] | [4] | [3] | [2] | [1] | [0] |
|------|-------|----------|-----|---------|-----|-----|-----|-----|-----|
| X | 1x06 | MUX_MODE | 0 | MUX_FLD | | 0 | 0 | 0 | 0 |

MUX_MODE Define the switch operation mode

- 0 Switch still mode (default)
- 1 Switch live mode

MUX_FLD Select the field mode on switch still mode

- 0 Odd Field (default)
- 1 Even Field
- 2,3 Capture Frame

| Path | Index | [7] | [6] | [5] | [4] | [3] | [2] | [1] | [0] |
|------|-------|-----------|-----|-----|-----------|---------|-----|-----|-----|
| X | 1x07 | STRB_AUTO | 0 | 0 | INTR_REQX | INTR_CH | | | |

STRB_AUTO Enable automatic strobe mode when FUNC_MODE = "1"

- 0 User strobe mode (default)
- 1 Automatic strobe mode

INTR_REQX Request to start the interrupt switch operation in display path

- 0 None operation (default)
- 1 Request to start the interrupt switch operation in display path

INTR_CH Define the channel number for interrupt switch operation

INTR_CH[3:2] represents the stage of cascaded chips for interrupt switch operation

- 0 Master chip (default)
- 1 1st slaver chip
- 2 2nd slaver chip
- 3 3rd slaver chip

INTR_CH[1:0] represents the channel number for interrupt switch operation

- 0 Channel 0 (default)
- 1 Channel 1
- 2 Channel 2
- 3 Channel 3

| Path | Index | [7] | [6] | [5] | [4] | [3] | [2] | [1] | [0] |
|------|-------|---------------|-----|-----|-----|---------------|-----|-----|-----|
| X | 1x08 | MUX_OUT_CH0 * | | | | MUX_OUT_CH1 * | | | |
| | 1x09 | MUX_OUT_CH2 * | | | | MUX_OUT_CH3 * | | | |

Notes “*” stand for read only register

MUX_OUT_CH0 Channel information in current field/frame for interrupt switch operation
 MUX_OUT_CH1 Channel information in next field/frame for interrupt switch operation
 MUX_OUT_CH2 Channel information after 2 fields for interrupt switch operation
 MUX_OUT_CH3 Channel information after 3 fields for interrupt switch operation

MUX_OUT_CH [3:2] represents the stage of cascaded chips for interrupt switch operation

- 0 Master chip (default)
- 1 1st slaver chip
- 2 2nd slaver chip
- 3 3rd slaver chip

MUX_OUT_CH [1:0] represents the channel number for interrupt switch operation

- 0 Channel 0 (default)
- 1 Channel 1
- 2 Channel 2
- 3 Channel 3

| Path | Index | [7] | [6] | [5] | [4] | [3] | [2] | [1] | [0] |
|------|-------|----------------|-----|-----|-----|-----|-----|-----|-----|
| X | 1x0A | CHID_MUX_OUT * | | | | | | | |

Notes “*” stand for read only register

- CHID_MUX_OUT Channel ID of current field/frame in interrupt switch operation
- CHID_MUX_OUT [7] represents the channel ID latch enabling pulse
- 0->1 Rising edge for channel ID Update
 - 1->0 Falling edge after 16 clock * 18.5 ns from rising edge
- CHID_MUX_OUT [6] represents the updated picture in interrupt switch operation
- 0 No Updated
 - 1 Updated by new switching
- CHID_MUX_OUT [5] represents the field mode in interrupt switch operation
- 0 Frame Mode
 - 1 Field Mode
- CHID_MUX_OUT [4] represents the analog switch path
- 0 Analog switch 0 path
 - 1 Analog switch 1 path
- CHID_MUX_OUT [3:2] represents the stage of cascaded chips for interrupt switch operation
- 0 Master chip
 - 1 1st slaver chip
 - 2 2nd slaver chip
 - 3 3rd slaver chip
- CHID_MUX_OUT [1:0] represents the channel number for interrupt switch operation
- 0 Channel 0
 - 1 Channel 1
 - 2 Channel 2
 - 3 Channel 3

| Path | Index | [7] | [6] | [5] | [4] | [3] | [2] | [1] | [0] |
|------|-------|------------|-----|-----------|-----|------------|-----|-----------|-----|
| X | 1x0B | ZM_EVEN_OS | | ZM_ODD_OS | | FR_EVEN_OS | | FR_ODD_OS | |

ZM_EVEN_OS Even field offset coefficient when zoom is enabled

- 0 No Offset
- 1 + 0.25 Offset
- 2 + 0.5 Offset
- 3 + 0.75 Offset (default)

ZM_ODD_OS Odd field offset coefficient when zoom is enabled

- 0 No Offset
- 1 + 0.25 Offset (default)
- 2 + 0.5 Offset
- 3 + 0.75 Offset

FR_EVEN_OS Even field offset coefficient when the enhancement is enabled

- 0 No Offset
- 1 + 0.25 Offset (default)
- 2 + 0.5 Offset
- 3 + 0.75 Offset

FR_ODD_OS Odd field offset coefficient when the enhancement is enabled

- 0 No Offset
- 1 + 0.25 Offset
- 2 + 0.5 Offset
- 3 + 0.75 Offset (default)

| Path | Index | [7] | [6] | [5] | [4] | [3] | [2] | [1] | [0] |
|------|-------|-------|---------|----------|-----|---------|----------|--------|-----|
| X | 1x0C | ZMENA | H_ZM_MD | ZMBNDCOL | | ZMBNDEN | ZMAREAEN | ZMAREA | |

- ZMENA** Enable the zoom function.
- 0 Disable the zoom function (default)
 - 1 Enable the zoom function
- H_ZM_MD** Select the zoom mode for only horizontal direction
- 0 2x zoom for both horizontal and vertical direction (default)
 - 1 2x zoom for horizontal direction
- ZMBNDCOL** Define the boundary color for zoomed area
- 0 0% Black (default)
 - 1 25% Gray
 - 2 75% Gray
 - 3 100% White
- ZMBNDEN** Enable the boundary for zoomed area.
- 0 Disable the boundary for zoomed area (default)
 - 1 Enable the boundary for zoomed area
- ZMAREAEN** Enable the mark for zoomed area
- 0 Disable the mark for zoom area (default)
 - 1 Enable the mark for zoom area
- ZMAREA** Control the effect for zoomed area.
- 0 10 IRE bright up for inside of zoomed area (default)
 - 1 20 IRE bright up for inside of zoomed area
 - 2 10 IRE bright up for outside of zoomed area
 - 3 20 IRE bright up for outside of zoomed area

| Path | Index | [7] | [6] | [5] | [4] | [3] | [2] | [1] | [0] |
|------|-------|-------|-----|-----|-----|-----|-----|-----|-----|
| X | 1x0D | ZOOMH | | | | | | | |

ZOOMH Define the horizontal left point of zoomed area. 4 pixels/step.

0 Left end value (default)

: :

180 Right end value

| Path | Index | [7] | [6] | [5] | [4] | [3] | [2] | [1] | [0] |
|------|-------|-------|-----|-----|-----|-----|-----|-----|-----|
| X | 1x0E | ZOOMV | | | | | | | |

ZOOMV Define the vertical top point of zoom area. 2 lines/step.

0 Top end value (default)

: :

120 Bottom end value for 60Hz, 525 lines system

: :

144 Bottom end value for 50Hz, 625 lines system

| Path | Index | [7] | [6] | [5] | [4] | [3] | [2] | [1] | [0] |
|------|-------|---------|-----|--------|-----|--------|-----|--------|-----|
| X | 1x0F | FRZ_FLD | | BNDCOL | | BGDCOL | | BLKCOL | |

FRZ_FLD Select the image for freeze function or for last image capture on video loss.

- 0 Last image (default)
- 1 Last image of 1 field before
- 2 Last image of 2 fields before
- 3 Last image of 3 fields before

BNDCOL Define the channel boundary color.

- 0 0% Black
- 1 25% Gray
- 2 75% Gray
- 3 100% White (default)

Channel boundary color is changed according to this value when boundary is blinking.

- 0 100% White
- 1 100% White
- 2 0% Black
- 3 0% Black (default)

BGDCOL Define the background color.

- 0 0% Black
- 1 40% Gray (default)
- 2 75% Gray
- 3 100% Amplitude 100% Saturation Blue

BLKCOL Define the color of the blanked channel.

- 0 0% Black
- 1 40% Gray
- 2 75% Gray
- 3 100% Amplitude 100% Saturation Blue (default)

| Path | CH | Index | [7] | [6] | [5] | [4] | [3] | [2] | [1] | [0] |
|------|------|-------|-------|--------------|--------------|-----|--------------|------------|--------------|-----|
| X | 0 | 1x10 | CH_EN | POP_UP | FUNC_MODE | | ANA_PATH_SEL | PB_PATH_EN | 0 (RESERVED) | |
| | 1 | 1x18 | | | | | | | 1 (RESERVED) | |
| | 2 | 1x20 | | | | | | | 2 (RESERVED) | |
| | 3 | 1x28 | | | 0 | | | | 3 (RESERVED) | |
| | 4 | 1x13 | | | FUNC_MODE[0] | | | | 0 (RESERVED) | |
| | 5 | 1x1B | | | | | | | 1 (RESERVED) | |
| | 6 | 1x23 | | | | | | | 2 (RESERVED) | |
| 7 | 1x2B | | | 3 (RESERVED) | | | | | | |

| | |
|--------------|---|
| CH_EN | Enable the channel. 0 Disable the channel (default) 1 Enable the channel |
| POP_UP | Enable pop-up. 0 Disable pop-up (default) 1 Enable pop-up |
| FUNC_MODE | Select the operation mode. 0 Live mode (default) 1 Strobe mode 2-3 Switch mode for Channel 0/1/2/3 |
| ANA_PATH_SEL | Select the switching path on PB display mode with PB_AUTO_EN = 1 0 Main channel selection (default) 1 Sub channel selection |
| PB_PATH_EN | Select the input between Live and PB for each channel 0 Normal live analog input (default) 1 PB path input |
| RESERVED | The following value should be set for proper operation. (default = 0) 1x10/1x13 0 1x18/1x1B 1 1x20/1x23 2 1x28/1x2B 3 |

| Path | CH | Index | [7] | [6] | [5] | [4] | [3] | [2] | [1] | [0] |
|------|------|-------|-----------|--------|----------|----------|---------|-------|-------|-------|
| X | 0 | 1x11 | RECALL_EN | FREEZE | H_MIRROR | V_MIRROR | ENHANCE | BLANK | BOUND | BLINK |
| | 1 | 1x19 | | | | | | | | |
| | 2 | 1x21 | | | | | | | | |
| | 3 | 1x29 | | | | | | | | |
| | 4 | 1x14 | | | | | | | | |
| | 5 | 1x1C | | | | | | | | |
| | 6 | 1x24 | | | | | | | | |
| 7 | 1x2C | | | | | | | | | |

RECALL_EN Enable the recall function of main channel.

0 Disable the recall function (default)

1 Enable the recall function

FREEZE Enable the freeze function of main channel.

0 Normal operation (default)

1 Enable the freeze function

H_MIRROR Enable the horizontal mirroring function of main channel.

0 Normal operation (default)

1 Enable the horizontal mirroring function

V_MIRROR Enable the vertical mirroring function of main channel.

0 Normal operation (default)

1 Enable the vertical mirroring function

ENHANCE Enable the image enhancement function of main channel.

- 0 Normal operation (default)
- 1 Enable the image enhancement function

BLANK Enable the blank of main channel.

- 0 Disable the blank (default)
- 1 Enable the blank

BOUND Enable the channel boundary of main channel.

- 0 Disable the channel boundary (default)
- 1 Enable the channel boundary

BLINK Enable the boundary blink of main channel when boundary is enabled.

- 0 Disable the boundary blink (default)
- 1 Enable the boundary blink

| Path | CH | Index | [7] | [6] | [5] | [4] | [3] | [2] | [1] | [0] |
|------|------|-------|-----|-----|--------|--------|-------------|-----|-----|-----|
| X | 0 | 1x12 | 0 | 0 | FLD_OP | DVR_IN | RECALL_ADDR | | | |
| | 1 | 1x1A | | | | | | | | |
| | 2 | 1x22 | | | | | | | | |
| | 3 | 1x2A | | | | | | | | |
| | 4 | 1x15 | | | | | | | | |
| | 5 | 1x1D | | | | | | | | |
| | 6 | 1x25 | | | | | | | | |
| 7 | 1x2D | | | | | | | | | |

FLD_OP Enable Field to Frame conversion mode.
 0 Normal operation (default)
 1 Enable Field to Frame conversion mode

DVR_IN Enable DVR to normal conversion mode.
 0 Normal operation (default)
 1 DVR to normal conversion mode

RECALL_ADDR Define the recall address for main channel. (default = 0)
 0-3 Reserved address. Do not use this value
 4-15 Available address for 64M SDRAM

| Path | CH | Index | [7] | [6] | [5] | [4] | [3] | [2] | [1] | [0] |
|------|----|-------|------------|----------|---------|----------|-----------|-----|-----|-----|
| X | 0 | 1x16 | PB_AUTO_EN | FLD_CONV | PB_STOP | EVENT_PB | PB_CH_NUM | | | |
| | 1 | 1x1E | 0 | | | | | | | |
| | 2 | 1x26 | 0 | | | | | | | |
| | 3 | 1x2E | 0 | | | | | | | |

PB_AUTO_EN Enable the auto strobe and auto cropping function for playback input
 0 Disable the auto strobe/cropping function (default)
 1 Enable the auto strobe/cropping function

FLD_CONV Enable Frame to Field conversion mode
 0 Normal operation (default)
 1 Enable Frame to Field conversion mode

PB_STOP Disable the auto strobe operation for playback input
 0 Normal operation (default)
 1 Disable the auto strobe operation for playback input

EVEN_PB Enable the event strobe function for playback input
 0 Disable the event strobe function for playback input (default)
 1 Enable the event strobe function for playback input

PB_CH_NUM Select the channel number from playback input for display (default = 0)
 PB_CH_NUM[3:2] represents the stage of cascaded chips
 0 Master chip
 1 1st slaver chip
 2 2nd slaver chip
 3 3rd slaver chip

PB_CH_NUM[1:0] represents the channel number
 0 Channel 0
 1 Channel 1
 2 Channel 2
 3 Channel 3

| Path | CH | Index | [7] | [6] | [5] | [4] | [3] | [2] | [1] | [0] |
|------|----|-------|-----|-----|-----|-----|-----|-----|-----|-----|
| X | 0 | 1x17 | 0 | 0 | 0 | 0 | 0 | 0 | 0 | 0 |
| | 1 | 1x1F | | | | | | | | |
| | 2 | 1x27 | | | | | | | | |
| | 3 | 1x2F | | | | | | | | |

This is reserved register.

For normal operation, the above value should be set in this register.

| Path | CH | Index | [7] | [6] | [5] | [4] | [3] | [2] | [1] | [0] |
|------|----|-------|-------|-----|-----|-----|-----|-----|-----|-----|
| X | 0 | 1x30 | PICHL | | | | | | | |
| | 1 | 1x34 | | | | | | | | |
| | 2 | 1x38 | | | | | | | | |
| | 3 | 1x3C | | | | | | | | |
| | 4 | 1x40 | | | | | | | | |
| | 5 | 1x44 | | | | | | | | |
| | 6 | 1x48 | | | | | | | | |
| | 7 | 1x4C | | | | | | | | |

PICHL Define the horizontal left position of channel
 0 Left end (default)
 : :
 180 Right end

| Path | CH | Index | [7] | [6] | [5] | [4] | [3] | [2] | [1] | [0] |
|------|----|-------|-------|-----|-----|-----|-----|-----|-----|-----|
| X | 0 | 1x31 | PICHR | | | | | | | |
| | 1 | 1x35 | | | | | | | | |
| | 2 | 1x39 | | | | | | | | |
| | 3 | 1x3D | | | | | | | | |
| | 4 | 1x41 | | | | | | | | |
| | 5 | 1x45 | | | | | | | | |
| | 6 | 1x49 | | | | | | | | |
| | 7 | 1x4D | | | | | | | | |

PICHR Define the horizontal right position of channel region
 0 Left end (default)
 : :
 180 Right end

| Path | CH | Index | [7] | [6] | [5] | [4] | [3] | [2] | [1] | [0] |
|------|------|-------|-------|-----|-----|-----|-----|-----|-----|-----|
| X | 0 | 1x32 | PICVT | | | | | | | |
| | 1 | 1x36 | | | | | | | | |
| | 2 | 1x3A | | | | | | | | |
| | 3 | 1x3E | | | | | | | | |
| | 4 | 1x42 | | | | | | | | |
| | 5 | 1x46 | | | | | | | | |
| | 6 | 1x4A | | | | | | | | |
| 7 | 1x4E | | | | | | | | | |

PICVT Define the vertical top position of channel region.

0 Top end (default)
: :
120 Bottom end for 60Hz system
: :
144 Bottom end for 50Hz system

| Path | CH | Index | [7] | [6] | [5] | [4] | [3] | [2] | [1] | [0] |
|------|------|-------|-------|-----|-----|-----|-----|-----|-----|-----|
| X | 0 | 1x33 | PICVB | | | | | | | |
| | 1 | 1x37 | | | | | | | | |
| | 2 | 1x3B | | | | | | | | |
| | 3 | 1x3F | | | | | | | | |
| | 4 | 1x43 | | | | | | | | |
| | 5 | 1x47 | | | | | | | | |
| | 6 | 1x4B | | | | | | | | |
| 7 | 1x4F | | | | | | | | | |

PICVB Define the vertical bottom position of channel region.

0 Top end (default)
: :
120 Bottom end for 60Hz system
: :
144 Bottom end for 50Hz system

| Index | [7] | [6] | [5] | [4] | [3] | [2] | [1] | [0] |
|-------|-----------|---------|-----|-----|--------|-----|-----|-----|
| 1x50 | MEDIAN_MD | TM_SLOP | | | TM_THR | | | |

- MEDIAN_MD** Select the noise reduction filter mode.
- 0 Adaptive median filter mode (default)
 - 1 Simple median filter mode
- TM_SLOP** Select the slope of adaptive median filter mode
- 0 Gradient is 0
 - 1 Gradient is 1 (default)
 - 2 Gradient is 2
 - 3 Gradient is 3
- TM_THR** Select the threshold of adaptive median filter mode
- 0 No threshold
 - :
 - :
 - 8 Median value (default)
 - :
 - :
 - 31 Max value

| Path | Index | [7] | [6] | [5] | [4] | [3] | [2] | [1] | [0] |
|------|-------|-----|----------|-----------|----------|-----|-----|-----------|-----|
| Y | 1x51 | 0 | FRAME_OP | FRAME_FLD | DIS_MODE | 0 | 0 | SIZE_MODE | |

FRAME_OP Select the frame operation mode for record path.

- 0 Normal operation mode (Default)
- 1 Frame operation mode

DIS_MODE Select the record mode depending on FRAME_OP.

When FRAME_OP = 0

- 0 Normal record mode (Default)
- 1 DVR normal record Mode

When FRAME_OP = 1

- 0 Frame record mode
- 1 DVR frame record mode

FRAME_FLD Select the displayed field when FRAME_OP = "1".

- 0 Odd field is displayed (default)
- 1 Even field is displayed

SIZE_MODE Select the active pixel size per line

- 0 720 pixels (default)
- 1 704 pixels
- 2 640 pixels
- 3 640 pixels

| Path | Index | [7] | [6] | [5] | [4] | [3] | [2] | [1] | [0] |
|------|-------|--------|-----------|-----------|-----|-----|-----|-----|-----|
| Y | 1x52 | TBLINK | FRZ_FRAME | TM_WIN_MD | | 0 | 0 | 0 | 0 |

TBLINK Control the blink period of channel boundary.

0 Blink for every 30 fields (default)

1 Blink for every 60 fields

FRZ_FRAME Select field or frame display mode on freeze status

0 Field display mode (default)

1 Frame display mode

TM_WIN_MD Select the mask type of median/adaptive median filter

0 9x9 mask (default)

1 Cross mask

2 Multiplier mask

3 Vertical bar mask

| Path | Index | [7] | [6] | [5] | [4] | [3] | [2] | [1] | [0] |
|------|-------|-----|-----|-----|-----|-----|-----|-----|-----|
| Y | 1x53 | 0 | 0 | 0 | 0 | 0 | 0 | 0 | 0 |

This is reserved register.

For normal operation, the above value should be set in this register.

| Path | Index | [7] | [6] | [5] | [4] | [3] | [2] | [1] | [0] |
|------|-------|-----|----------|-----|-----------|----------|-----|-----|-----|
| Y | 1x54 | 0 | STRB_FLD | | DUAL_PAGE | STRB_REQ | | | |

STRB_FLD Control the field mode for strobe operation.

- 0 Capture odd field only (default)
- 1 Capture even field only
- 2 Capture first field of any field
- 3 Capture frame

DUAL_PAGE Enable dual page operation.

- 0 Normal strobe operation for each channel (default)
- 1 Enable the dual page operation

STRB_REQ Request the strobe operation.

STRB_REQ[3:0] represents the channel 3 to 0

- 0 None operation (default)
- 1 Request to start strobe operation

| Path | Index | [7] | [6] | [5] | [4] | [3] | [2] | [1] | [0] |
|------|-------|------------|-----|-----|----------|-----|------------|--------------|-----|
| Y | 1x55 | NOVID_MODE | | 0 | CH_START | 0 | AUTO_NR_EN | INVALID_MODE | |

- NOVID_MODE** Select the indication method for no video detected channel
- 0 Bypass (default)
 - 1 Capture last image
 - 2 Blanked with blank color
 - 3 Capture last image and blink channel boundary
- CH_START** Enable the digital channel ID in horizontal boundary of channel
- 0 Disable the digital channel ID in horizontal boundary (default)
 - 1 Enable the digital channel ID in horizontal boundary
- AUTO_NR_EN** Enable the noise reduction filter automatically when night is detected
- 0 Disable auto noise reduction filter operation (default)
 - 1 Enable auto noise reduction filter operation
- INVALID_MODE** Select the indication mode for no channel area
- In horizontal and vertical active region
- 0 Background layer with background color (default)
 - 1 $Y = 0, Cb/Cr = 128$
 - 2 $Y/Cb/Cr = 0$
 - 3 $Y/Cb/Cr = 0$
- In horizontal and vertical blanking region
- 0 $Y = 16, Cb/Cr = 128$ (default)
 - 1 Background layer with background color
 - 2 $Y = 0, Cb = \{0, F, V, 0, Cascade, \text{linenum}[8:7]\}, Cr = \{0, \text{linenum}[6:0]\}$
 - 3 $Y/Cb/Cr = 0$

| Path | Index | [7] | [6] | [5] | [4] | [3] | [2] | [1] | [0] |
|------|-------|-----------|-----------|---------|-----|-------------|-----|-------------|-----|
| Y | 1x56 | MUX_MODE | TRIG_MODE | MUX_FLD | | PIN_TRIG_MD | | PIN_TRIG_EN | |
| | 1x57 | STRB_AUTO | QUE_SIZE | | | | | | |

| | |
|-------------|--|
| MUX_MODE | Define the switch mode. 0 Switch channel with still picture (default) 1 Switch channel with live picture |
| TRIG_MODE | Define the switch trigger mode. 0 MUX with external trigger from host (default) 1 MUX with internal trigger |
| MUX_FLD | Control the capturing field for switch operation. 0 Capture odd field only (default) 1 Capture even field only 2 Capture frame 3 Capture frame |
| PIN_TRIG_MD | Select the triggering input on external trigger mode 0 No triggering by VLINKI Pin (default) 1 Triggering by positive edge of VLINKI pin 2 Triggering by negative edge of VLINKI pin 3 Triggering by both positive and negative edge of VLINKI pin |
| PIN_TRIG_EN | Enable triggering by VLINKI Pin [0] is stand for switching control, [1] is stand for popup position control 0 Disable pin triggering (default) 1 Enable pin triggering |
| STRB_AUTO | Enable automatic strobe mode when FUNC_MODE = "1" 0 Manual strobe mode (default) 1 Automatic strobe mode |
| QUE_SIZE | Define the actually using queue size in switching mode. 0 Queue size = 1 (default) : 127 Queue size = 128 |

| Path | Index | [7] | [6] | [5] | [4] | [3] | [2] | [1] | [0] |
|------|-------|------------------|----------|----------|-----------|-----|-----|-----|-----|
| Y | 1x58 | QUE_PERIOD [7:0] | | | | | | | |
| | 1x59 | QUE_PERIOD [9:8] | EXT_TRIG | INTR_REQ | MUX_WR_CH | | | | |

- QUE_PERIOD** Control the trigger period for internal trigger mode.
- 0 Trigger period = 1 field (default)
 - : :
 - 1023 Trigger period = 1024 fields
- EXT_TRIG** Make trigger when TRIG_MODE = "0" (external trigger mode).
- 0 None operation (default)
 - 1 Request to start MUX with external trigger mode
- INTR_REQ** Request to start the switch operation by interrupt
- 0 None operation (default)
 - 1 Request to start the switch operation by interrupt
- MUX_WR_CH** Define the channel number to be written in internal MUX queue or in interrupt trigger.
- MUX_WR_CH[3:2] stands for stage of cascaded chips
- 0 Master chip (default)
 - 1 1st slaver chip
 - 2 2nd slaver chip
 - 3 3rd slaver chip
- MUX_WR_CH[1:0] stands for channel number
- 0 Channel 0 (default)
 - 1 Channel 1
 - 2 Channel 2
 - 3 Channel 3

| Path | Index | [7] | [6] | [5] | [4] | [3] | [2] | [1] | [0] |
|------|-------|--------|----------|-----|-----|-----|-----|-----|-----|
| Y | 1x5A | QUE_WR | QUE_ADDR | | | | | | |

QUE_WR Control to write the data of internal queue.
 0 None operation (default)
 1 Request to write the QUE_CH in QUE_ADDR of internal queue

QUE_ADDR Define the queue address.
 0 1st queue address (default)
 : :
 127 128th queue address

| Path | Index | [7] | [6] | [5] | [4] | [3] | [2] | [1] | [0] |
|------|-------|-------------------|--------------|---------------|-----|-------------|-----------|-------------|-------------|
| Y | 1x5B | 0 | Q_POS_RD_CTL | Q_DATA_RD_CTL | | MUX_SKIP_EN | ACCU_TRIG | QUE_CNT_RST | QUE_POS_RST |
| | 1x5C | MUX_SKIP_CH[15:8] | | | | | | | |
| | 1x5D | MUX_SKIP_CH[7:0] | | | | | | | |

- Q_POS_RD_CTL** Control the read mode of the QUE_ADDR
- 0 Current queue address of internal queue (default)
 - 1 Written value into the QUE_ADDR
- Q_DATA_RD_CTL** Control the read mode of the MUX_WR_CH
- 0 Current queue data of internal queue (default)
 - 1 Written value into the MUX_WR_CH
 - 2,3 Queue data at the QUE_ADDR
- MUX_SKIP_EN** Enable the switch skip mode
- 0 Disable the switch skip mode
 - 1 Enable the switch skip mode
- ACCU_TRIG** Adjust the switch timing in external triggering via the VLINKI pin
- 0 Output is delayed in 4 fields from triggering (default)
 - 1 Output is matched with triggering
- QUE_CNT_RST** Reset the internal field counter to count queue period.
- 0 None operation (default)
 - 1 Reset the field counter
- QUE_POS_RST** Reset the queue address.
- 0 None operation (default)
 - 1 Reset the queue address and restart address
- MUX_SKIP_CH** Define the switch skip channel
- MUX_SKIP_CH[15:0] stands for channel 15 ~ 0 including cascaded chip
- 0 Normal operation (default)
 - 1 Skip channel

| Path | Index | [7] | [6] | [5] | [4] | [3] | [2] | [1] | [0] |
|------|-------|----------------|-----|-----|-----|-----|-----|-----|-----|
| Y | 1x5E | CHID_MUX_OUT * | | | | | | | |

Notes “*” stand for read only register

CHID_MUX_OUT Channel ID of current field/frame in switch operation (Read only register)

CHID_MUX_OUT [7] represents the channel ID latch enabling pulse

0->1 Rising edge for updating the channel ID

1->0 Falling edge after 16 clock * 18.5 ns from rising edge

CHID_MUX_OUT [6] represents the updated picture in switch operation

0 No Updated

1 Updated by New Switching

CHID_MUX_OUT [5] represents the field mode in switch operation

0 Frame mode

1 Field mode

CHID_MUX_OUT [4] represents the analog switching path

0 Analog switching 0 path

1 Analog switching 1 path

CHID_MUX_OUT [3:2] represents the stage of cascaded chip for switch operation

0 Master chip

1 1st slaver chip

2 2nd slaver chip

3 3rd slaver chip

CHID_MUX_OUT [1:0] represents the channel number for switch operation

0 Channel 0

1 Channel 1

2 Channel 2

3 Channel 3

| Path | Index | [7] | [6] | [5] | [4] | [3] | [2] | [1] | [0] |
|------|-------|---------|-----|--------|-----|--------|-----|--------|-----|
| Y | 1x5F | FRZ_FLD | | BNDCOL | | BGDCOL | | BLKCOL | |

FRZ_FLD Select the image for freeze function or for last capturing mode on video loss.

- 0 Last image (default)
- 1 Last image of 1 field before
- 2 Last image of 2 fields before
- 3 Last image of 3 fields before

BNDCOL Define the boundary color of channel.

- 0 0% Black
- 1 25% Gray
- 2 75% Gray
- 3 100% White (default)

Channel boundary color is changed according to this value when boundary is blinking.

- 0 100% White
- 1 100% White
- 2 0% Black
- 3 0% Black (default)

BGDCOL Define the background color.

- 0 0% Black
- 1 40% Gray (default)
- 2 75% Gray
- 3 100% Amplitude 100% Saturation Blue

BLKCOL Define the color of the blanked channel.

- 0 0% Black
- 1 40% Gray
- 2 75% Gray
- 3 100% Amplitude 100% Saturation Blue (default)

| Path | CH | Index | [7] | [6] | [5] | [4] | [3] | [2] | [1] | [0] |
|------|----|-------|-------|--------|-----------|-----|----------|-------|-----|------------|
| Y | 0 | 1x60 | CH_EN | POP_UP | FUNC_MODE | | NR_EN_DM | NR_EN | | DEC_PATH_Y |
| | 1 | 1x63 | | | | | | | | |
| | 2 | 1x66 | | | | | | | | |
| | 3 | 1x69 | | | | | | | | |

CH_EN

Enable the channel.

0 Disable the channel (default)

1 Enable the channel

POP_UP

Enable the pop-up attribute.

0 Disable the pop-up attribute (default)

1 Enable the pop-up attribute

FUNC_MODE

Select the operation mode.

0 Live mode (default)

1 Strobe mode

2-3 Switch mode

NR_EN

Enable the noise reduction filter in main path with ANA_SW = 0

NR_EN_DM

Enable the noise reduction filter in sub path with ANA_SW = 1

0 Disable the noise reduction filter (default)

1 Enable the noise reduction filter

DEC_PATH_Y

Select the video input for each channel.

0 Video input from internal video decoder on VIN0 pins (default)

1 Video input from internal video decoder on VIN1 pins

2 Video input from internal video decoder on VIN2 pins

3 Video input from internal video decoder on VIN3 pins

| Path | CH | Index | [7] | [6] | [5] | [4] | [3] | [2] | [1] | [0] |
|------|----|-------|-----|--------|----------|----------|-----|-------|-------|-------|
| Y | 0 | 1x61 | 0 | FREEZE | H_MIRROR | V_MIRROR | 0 | BLANK | BOUND | BLINK |
| | 1 | 1x64 | | | | | | | | |
| | 2 | 1x67 | | | | | | | | |
| | 3 | 1x6A | | | | | | | | |

FREEZE Enable the freeze function of main channel.

- 0 Normal operation (default)
- 1 Enable the freeze function

H_MIRROR Enable the horizontal mirroring function of main channel.

- 0 Normal operation (default)
- 1 Enable the horizontal mirroring function

V_MIRROR Enable the vertical mirroring function of main channel.

- 0 Normal operation (default)
- 1 Enable the vertical mirroring function

BLANK Enable the blank of main channel.

- 0 Disable the blank (default)
- 1 Enable the blank

BOUND Enable the channel boundary of main channel.

- 0 Disable the channel boundary (default)
- 1 Enable the channel boundary

BLINK Enable the boundary blink of main channel when boundary is enabled.

- 0 Disable the boundary blink (default)
- 1 Enable the boundary blink

| Path | CH | Index | [7] | [6] | [5] | [4] | [3] | [2] | [1] | [0] |
|------|----|-------|-----|-----|----------|-----|-----|-----|-----|-----|
| Y | 0 | 1x62 | 0 | 0 | FIELD_OP | 0 | 0 | 0 | 0 | 0 |
| | 1 | 1x65 | | | | | | | | |
| | 2 | 1x68 | | | | | | | | |
| | 3 | 1x6B | | | | | | | | |

FIELD_OP Enable Field to Frame conversion mode.
0 Normal operation (default)
1 Enable Field to Frame conversion mode

| Path | Index | [7] | [6] | [5] | [4] | [3] | [2] | [1] | [0] |
|------|-------|-----------|-----|-----------|-----|-----------|-----|-----------|-----|
| Y | 1x6C | PIC_SIZE3 | | PIC_SIZE2 | | PIC_SIZE1 | | PIC_SIZE0 | |

PIC_SIZE Define the channel size
in normal record mode or DVR normal record mode
0 Half Size for both direction (360x120/144) (default)
1 Half size for vertical size (720x120/144)
2 Half size for horizontal size (360x240/288)
3 Full size (720x240/288)

in Frame record mode or DVR frame record mode
0 Half size for horizontal size (360x240/288)
1 Full size for horizontal size (720x240/288)
2/3 Not supported

| Path | Index | [7] | [6] | [5] | [4] | [3] | [2] | [1] | [0] |
|------|-------|----------|-----|----------|-----|----------|-----|----------|-----|
| Y | 1x6D | PIC_POS3 | | PIC_POS2 | | PIC_POS1 | | PIC_POS0 | |

PIC_POS

Define the channel start position

in Normal record mode

- 0 No offset for both horizontal and vertical direction (default)
- 1 Half offset for horizontal and no offset for vertical direction
- 2 No offset for horizontal and half offset for vertical direction
- 3 Half offset for horizontal and half offset for vertical direction

in Frame record mode

- 0 No offset for both horizontal and vertical direction
- 1 Half offset for horizontal and no offset for vertical direction
- 2 No offset for horizontal and field offset for vertical direction
- 3 Half offset for horizontal and field offset for vertical direction

in DVR normal record mode

- 0 No offset for both horizontal and vertical direction
- 1 Quarter offset for vertical direction
- 2 Half offset for vertical direction
- 3 Three Quarter offset for vertical direction

in DVR Frame record mode

- 0 No offset for both horizontal and vertical direction
- 1 Half offset for vertical direction
- 2 Field offset for vertical direction
- 3 Field and half offset for vertical direction

| Path | Index | [7] | [6] | [5] | [4] | [3] | [2] | [1] | [0] |
|------|-------|---------------|-----|-----|-----|---------------|-----|-----|-----|
| Y | 1x6E | MUX_OUT_CH0 * | | | | MUX_OUT_CH1 * | | | |
| | 1x6F | MUX_OUT_CH2 * | | | | MUX_OUT_CH3 * | | | |

Notes “*” stand for read only register

MUX_OUT_CH0 Channel Information in current field/frame for switch operation

MUX_OUT_CH1 Channel Information in next field/frame for switch operation

MUX_OUT_CH2 Channel Information after 2 fields for switch operation

MUX_OUT_CH3 Channel Information after 3 fields for switch operation

MUX_OUT_CH [3:2] represents the stage of cascaded chips

0 Master chip (default)

1 1st slaver chip

2 2nd slaver chip

3 3rd slaver chip

MUX_OUT_CH [1:0] represents the channel number

0 Channel 0 (default)

1 Channel 1

2 Channel 2

3 Channel 3

| Path | Index | [7] | [6] | [5] | [4] | [3] | [2] | [1] | [0] |
|------|-------|------------|---------------|----------|----------|-----|------------|-----------------|-----|
| Y | 1x70 | POS_CTL_EN | POS_TRIG_MODE | POS_TRIG | POS_INTR | 0 | POS_RD_CTL | POS_DATA_RD_CTL | |

- POS_CTL_EN Enable the position/popup control
0 Disable the position/popup control (default)
1 Enable the position/popup control
- POS_TRIG_MODE Select the position/popup trigger mode
0 External trigger mode (default)
1 Internal trigger mode
- POS_TRIG Request the external trigger on external trigger mode
0 None Operation (default)
1 Request to start position/popup control in external trigger mode
- POS_INTR Request to start position/popup control with interrupt
0 None Operation (default)
1 Request to start position/popup control with interrupt
- POS_RD_CTL Control the read mode for the POS_QUE_ADDR
0 Current queue address for internal position/popup queue (default)
1 Written value into the POS_QUE_ADDR
- POS_DATA_RD_CTL Control the read mode for the POS_CH
0 Current queue data for internal queue position (default)
1 Written POS_CH value
2 Queue data of the POS_QUE_ADDR
3 Queue data of the POS_QUE_ADDR

| Path | Index | [7] | [6] | [5] | [4] | [3] | [2] | [1] | [0] |
|------|-------|-------------------|-----|------------|--------------|---------|-----|-----|-----|
| Y | 1x71 | POS_QUE_PER[9:8] | | POS_FLD_MD | POS_QUE_SIZE | | | | |
| | 1x72 | POS_QUE_PER [7:0] | | | | | | | |
| | 1x73 | POS_CH0 | | | | POS_CH1 | | | |
| | 1x74 | POS_CH2 | | | | POS_CH3 | | | |

POS_QUE_SIZE Control the position/popup queue size

0 Queue size = 1 (default)

: :

31 Queue size = 32

POS_FLD_MD Select the position/popup queue period unit

0 Frame (default)

1 Field

POS_QUE_PER Control the trigger period for internal trigger mode.

0 Trigger period = 1 field or frame (default)

: :

1023 Trigger period = 1024 fields or frames

POS_CH Define the channel for each region

POS_CH0 stands for no offset region of both H/V

POS_CH1 stands for half offset of H

POS_CH2 stands for half offset of V

POS_CH3 stands for half offset of both H/V

POS_CH [3:2] stands for the stage of cascaded chips

0 Master chip (default)

1 1st slaver chip

2 2nd slaver chip

3 3rd slaver chip

POS_CH [1:0] stands for the channel number

0 Channel 0 (default)

1 Channel 1

2 Channel 2

3 Channel 3

| Path | Index | [7] | [6] | [5] | [4] | [3] | [2] | [1] | [0] |
|------|-------|------------|-------------|-------------|--------------|-----|-----|-----|-----|
| Y | 1x75 | POS_QUE_WR | POS_CNT_RST | POS_QUE_RST | POS_QUE_ADDR | | | | |

POS_QUE_WR Control to write the data of internal position queue

0 None operation (default)

1 Write data into the POS_CH register at the POS_QUE_ADDR

POS_CNT_RST Reset the internal field counter to count queue period of position queue.

0 None operation (default)

1 Reset the field counter

POS_QUE_RST Reset the queue address of position queue.

0 None operation (default)

1 Reset the queue address and restart address

POS_QUE_ADDR Define the queue address.

0 1st queue address (default)

: :

31 32nd queue address

| Index | [7] | [6] | [5] | [4] | [3] | [2] | [1] | [0] |
|-------|------------|-----|-----|-----|-----|-----|---------|---------|
| 1x76 | IRQENA_RD | 0 | 0 | 0 | 0 | 0 | IRQ_POL | IRQ_RPT |
| 1x77 | IRQ_PERIOD | | | | | | | |

IRQENA_RD Select the read mode for IRQENA_XX registers

- 0 Read the Status/Event information (default)
IRQ event will be cleared after host reads IRQENA_XX registers.
- 1 Read the written data
IRQ event is not cleared even if host reads IRQENA_XX registers.

IRQ_POL Select the IRQ polarity.

- 0 Active high (default)
- 1 Active low

IRQ_RPT Select the IRQ mode.

- 0 IRQ pin maintains the state "1" until the interrupt request is cleared (default)
- 1 Interrupt request is repeated with 5msec period via IRQ pin when the interrupt is not cleared in long time.

IRQ_PERIOD Control the interrupt generation period (The unit is field).

- 0 Immediate generation of interrupt when any Interrupt happens
- : :
- 255 Interrupt generation by the duration of the IRQ_PERIOD

| Index | [7] | [6] | [5] | [4] | [3] | [2] | [1] | [0] |
|-------|--------------|-----|-----|-----|-----|-----|-----|-----|
| 1x78 | IRQENA_NOVID | | | | | | | |

IRQENA_NOVID Enable the interrupt for video loss detection.

IRQENA_NOVID[3:0] stand for VIN3 to VIN0 with ANMA_SW = 0
 IRQENA_NOVID[7:4] stand for VIN3 to VIN0 with ANMA_SW = 1

- 0 Video-loss interrupt is disabled (default)
- 1 Video-loss interrupt is enabled

The read information is determined by the IRQENA_RD (1x76). When the IRQ_ENA_RD = "0", the information is like the following and the interrupt will be cleared when the register is read by host.

- 0 Video is alive (default)
- 1 Video loss is detected

| Index | [7] | [6] | [5] | [4] | [3] | [2] | [1] | [0] |
|-------|-----------|-----|-----|-----|-----|-----|-----|-----|
| 1x79 | IRQENA_MD | | | | | | | |
| 1x7A | IRQENA_BD | | | | | | | |
| 1x7B | IRQENA_ND | | | | | | | |

IRQENA_MD

Enable the interrupt for motion detection.

IRQENA_MD[3:0] stand for VIN3 to VIN0 with ANA_SW = 0

IRQENA_MD[7:4] stand for VIN3 to VIN0 with ANA_SW = 1

0 Motion interrupt is disabled (default)

1 Motion interrupt is enabled

The read information is determined by the IRQENA_RD (1x76). When the IRQ_ENA_RD = "0", the information is like the following and the interrupt will be cleared when the register is read by host.

0 No motion is detected (default)

1 Motion is detected

IRQENA_BD

Enable the interrupt for blind detection.

IRQENA_BD [3:0] stand for VIN3 to VIN0 with ANA_SW = 0.

IRQENA_BD [7:4] stand for VIN3 to VIN0 with ANA_SW = 1.

0 Blind interrupt is disabled (default)

1 Blind interrupt is enabled

The read information is determined by the IRQENA_RD (1x76). When the IRQ_ENA_RD = "0", the information is like the following and the interrupt will be cleared when the register is read by host.

0 No blind is detected (default)

1 Blind is detected

IRQENA_ND

Enable the interrupt for night detection.

IRQENA_ND [3:0] stand for VIN3 to VIN0 with ANA_SW = 0.

IRQENA_ND [7:4] stand for VIN3 to VIN0 with ANA_SW = 1.

0 Night interrupt is disabled (default)

1 Night interrupt is enabled

The read information is determined by the IRQENA_RD (1x76). When the IRQ_ENA_RD = "0", the information is like the following and the interrupt will be cleared when the register is read by host.

0 Day is detected (default)

1 Night is detected

| Index | [7] | [6] | [5] | [4] | [3] | [2] | [1] | [0] |
|-------|-----|-----|-----|-----|-----|-----|-----|-----|
|-------|-----|-----|-----|-----|-----|-----|-----|-----|

| | | | | | |
|------|---------------|---|---|---|---|
| 1x7C | PB_NOVID_DET* | 0 | 0 | 0 | 0 |
|------|---------------|---|---|---|---|

Notes “*” stand for read only register

PB_NOVID_DET Status for playback input
0 Playback input is alive
1 Video-loss is detected for playback input

| Index | [7] | [6] | [5] | [4] | [3] | [2] | [1] | [0] |
|-------|-----|-----|-----|-----|-----|-----|-----|-----|
| 1x7D | 0 | | | | | | | |

This is reserved register.

For normal operation, the above value should be set in this register.

| Index | [7] | [6] | [5] | [4] | [3] | [2] | [1] | [0] |
|-------|-----|----------|-----|-----|----------|-----|-----|-----|
| 1x7E | 1 | SYNC_DEL | | | MCLK_DEL | | | |

SYNC_DEL Control relative data delay for cascade channel extension
 SYNC_DEL should be defined to have 2 offset from slaver chip.
 Please refer to Fig 49 ~ Fig 52 for reference.
 The default value is 0.

MCLK_DEL Control the clock delay of the CLK54MEM pin
 The delay can be controlled about 1ns.
 The default value is 0.

| Index | [7] | [6] | [5] | [4] | [3] | [2] | [1] | [0] |
|-------|----------|-----|--------------|-----|-----|-----|-----|-----|
| 1x7F | MEM_INIT | 0 | T_CASCADE_EN | 0 | 0 | 1 | 0 | 0 |

MEM_INIT Initialize the operation mode of SDRAM.
 This is cleared by itself after setting "1".
 0 None operation (default)
 1 Request to start initializing operation mode of SDRAM

T_CASCADE_EN Enable the infinite cascade mode for display path
 0 Normal operation (default)
 1 Enable the infinite cascade mode for display path

| Index | [7] | [6] | [5] | [4] | [3] | [2] | [1] | [0] |
|-------|---------------|-------------|-------------|------------|-------------|-------------|------------|-----|
| 1x80 | VIS_ENA | VIS_AUTO_EN | AUTO_RPT_EN | VIS_DET_EN | VIS_USER_EN | VIS_CODE_EN | VIS_RIC_EN | 1 |
| 1x81 | VIS_PIXEL_HOS | | | | | | | |

| | |
|---------------|--|
| VIS_ENA | Enable the Analog channel ID during vertical blanking interval 0 Disable the Analog channel ID (default) 1 Enable the Analog channel ID |
| VIS_AUTO_EN | Enable the Auto channel ID In Analog channel ID 0 Disable the Auto channel ID (default) 1 Enable the Auto channel ID |
| AUTO_RPT_EN | Enable the Auto channel ID repetition mode in Analog channel ID 0 Disable the Auto channel ID repetition mode (default) 1 Enable the Auto channel ID repetition mode |
| VIS_DET_EN | Enable the Detection channel ID in Analog channel ID 0 Disable the Detection channel ID (default) 1 Enable the Detection channel ID |
| VIS_USER_EN | Enable the User channel ID in Analog channel ID 0 Disable the User channel ID (default) 1 Enable the User channel ID |
| VIS_CODE_EN | Enable the Digital channel ID 0 Disable the Digital channel ID (default) 1 Enable the Digital channel ID |
| VIS_RIC_EN | Enable the run-in clock of Analog channel ID during VBI 0 Disable the run-in clock (default) 1 Enable the run-in clock |
| VIS_PIXEL_HOS | Define the horizontal starting offset for Analog channel ID 0 No offset (default) : : Table 1 255 pixel Offset |

| Index | [7] | [6] | [5] | [4] | [3] | [2] | [1] | [0] |
|-------|--------------|-----------|-----|-----------------|-----|-----|-----|-----|
| 1x82 | VIS_FLD_OS | | 0 | VIS_PIXEL_WIDTH | | | | |
| 1x83 | 0 | VIS_DM_MD | 0 | VIS_LINE_OS | | | | |
| 1x84 | VIS_HIGH_VAL | | | | | | | |
| 1x85 | VIS_LOW_VAL | | | | | | | |

VIS_FLD_OS Control the vertical starting offset of each field for Analog channel ID

- 0 Odd : 1 Line, Even : 0 Line (default)
- 1 Odd : 1 Line, Even : 1 Line
- 2 Odd : 1 Line, Even : 2 Line
- 3 Odd : 1 Line, Even : 3 Line

VIS_DM_MD Select the non-realtime mode for Detection channel ID

- 0 Normal mode (default)
- 1 Non-realtime Mode

VIS_PIXEL_WIDTH Control the pixel width of each bit for Analog channel ID

- 0 1 pixel
- : :
- 31 32 pixels (default)

VBI_LINE_OS Control the vertical starting offset from field transition for Analog channel ID

- 0 No offset
- : :
- 8 7 lines (default)
- : :
- Table 1 31 lines

VIS_HIGH_VAL Magnitude value for bit "1" of Analog channel ID (default = 235)

VIS_LOW_VAL Magnitude value for bit "0" of Analog channel ID (default = 16)

| Index | [7] | [6] | [5] | [4] | [3] | [2] | [1] | [0] |
|-------|--------------|-----|---------|-------------|------------|------------|--------------|------------|
| 1x86 | AUTO_VBI_DET | 0 | VBI_ENA | VBI_CODE_EN | VBI_RIC_ON | VBI_FLT_EN | CHID_RD_TYPE | VBI_RD_CTL |

| | |
|--------------|---|
| AUTO_VBI_DET | Select the detection mode of Analog channel ID for playback input 0 Manual detection mode for Analog channel ID (default) 1 Automatic detection mode for Analog channel ID |
| VBI_ENA | Enable the Analog channel ID detection for playback input 0 Disable the Analog channel ID detection (default) 1 Enable the Analog channel ID detection |
| VBI_CODE_EN | Enable the Digital channel ID detection for playback input 0 Disable the Digital channel ID detection mode (default) 1 Enable the Digital channel ID detection mode |
| VBI_RIC_ON | Select the run-in clock mode for Analog channel ID 0 No run-in clock mode (default) 1 Run-in clock mode |
| VBI_FLT_EN | Select the LPF filter mode for playback input 0 Bypass mode (default) 1 Enable the LPF filter |
| CHID_RD_TYPE | Control the read mode of channel ID decoder 0 Read the channel valid data from channel ID decoder (default) 1 Read the channel ID type from channel ID decoder |
| VBI_RD_CTL | Control the read mode of channel ID for channel ID CODEC (default = 0) Table 1 Read the written data into USER_CHID registers (1x90 ~ 1x97) Read the encoded result in DET_CHID registers (1X98 ~ 1x9F) Read the encoded ID data from AUTO_CHID registers. (1x8C ~ 1x8F) Table 1 Read the decoded ID data from USER_CHID registers (1x90 ~ 1x97) Read the decoded result for DET_CHID registers (1X98 ~ 1x9F) Read the decoded ID data from AUTO_CHID registers (1x8C ~ 1x8F) |

| Index | [7] | [6] | [5] | [4] | [3] | [2] | [1] | [0] |
|-------|---------------|-----|---------|-----|--------------|-----|-----|-----|
| 1x87 | VBI_PIXEL_HOS | | | | | | | |
| 1x88 | VBI_FLD_OS | | VAV_CHK | | VBI_PIXEL_HW | | | |

VBI_PIXEL_HOS Define the horizontal starting offset of Analog channel ID
 When Manual detection mode of Analog channel ID (AUTO_VBI_DET = 0)
 0 No offset (Not supported in No run-in clock mode) (default)
 ::
 Table 1 255 pixel offset

When Auto detection mode of Analog channel ID (AUTO_VBI_DET = 1),
 this register notifies the detected horizontal starting offset for Analog
 channel ID.

VBI_FLD_OS Control the vertical starting offset of each field for Analog channel ID
 0 Odd : 1 Line, Even : 0 Line (default)
 1 Odd : 1 Line, Even : 1 Line
 2 Odd : 1 Line, Even : 2 Line
 3 Odd : 1 Line, Even : 3 Line

VAV_CHK Enable the channel ID detection in vertical active period
 0 Enable the channel ID detection for VBI period only (default)
 1 Enable the channel ID detection for VBI and vertical active period

VBI_PIXEL_HW Control the pixel width for each bit of Analog channel ID
 0 1 pixel (default)
 ::
 Table 1 32 pixels

| Index | [7] | [6] | [5] | [4] | [3] | [2] | [1] | [0] |
|-------|------------------------|-----|-----|-------------|-----|-----|-----|-----|
| 1x89 | VBI_LINE_WIDTH | | | VBI_LINE_OS | | | | |
| 1x8A | VBI_MID_VAL | | | | | | | |
| 1x8B | CHID_TYPE/CHID_VALID * | | | | | | | |

Notes “*” stand for read only register

- VBI_LINE_WIDTH** Control the line width for Analog channel ID
When Manual detection mode of Analog channel ID (AUTO_VBI_DET = 0)
0 1 line
: :
Table 1 8 lines (default)
- When Auto detection mode of Analog channel ID (AUTO_VBI_DET = 1),
this register notifies the detected line width for Analog channel ID.
- VBI_LINE_OS** Control the vertical starting offset from field transition for Analog channel ID
0 No offset
: :
8 7 lines (default)
: :
Table 1 31 lines
- VBI_MID_VAL** Define the threshold level to detect bit “0” or bit “1” from Analog channel ID
(default = 128)
- CHID_VALID** Status for validity of detected channel ID when CHID_RD_TYPE = 0
CHID_VALID[4] stands for Auto Channel ID
CHID_VALID[3] stands for Detection Channel ID 0
CHID_VALID[2] stands for Detection Channel ID 1
CHID_VALID[1] stands for User Channel ID 0
CHID_VALID[0] stands for User Channel ID 1
0 Not Valid
1 Valid
- CHID_TYPE** Indication of the detected channel ID type when CHID_RD_TYPE = 1
CHID_TYPE[5:0] stands for line number for Analog channel ID
0 Auto channel ID
1 User/Detection channel ID

| Index | [7] | [6] | [5] | [4] | [3] | [2] | [1] | [0] |
|-------|-----|-----|-----|-----|-----|-----|-----|-------------|
| 1x8C | | | | | | | | AUTO_CHID0* |
| 1x8D | | | | | | | | AUTO_CHID1* |
| 1x8E | | | | | | | | AUTO_CHID2* |
| 1x8F | | | | | | | | AUTO_CHID3* |
| 1x90 | | | | | | | | USER_CHID0 |
| 1x91 | | | | | | | | USER_CHID1 |
| 1x92 | | | | | | | | USER_CHID2 |
| 1x93 | | | | | | | | USER_CHID3 |
| 1x94 | | | | | | | | USER_CHID4 |
| 1x95 | | | | | | | | USER_CHID5 |
| 1x96 | | | | | | | | USER_CHID6 |
| 1x97 | | | | | | | | USER_CHID7 |
| 1x98 | | | | | | | | DET_CHID0 * |
| 1x99 | | | | | | | | DET_CHID1 * |
| 1x9A | | | | | | | | DET_CHID2 * |
| 1x9B | | | | | | | | DET_CHID3 * |
| 1x9C | | | | | | | | DET_CHID4 * |
| 1x9D | | | | | | | | DET_CHID5 * |
| 1x9E | | | | | | | | DET_CHID6 * |
| 1x9F | | | | | | | | DET_CHID7 * |

Notes “*” stand for read only register

| | |
|-----------|---|
| AUTO_CHID | Data information of Auto channel ID |
| USER_CHID | Data information of User channel ID (default = 0) USER_CHID 0/1/2/3 stands for 1 st line channel ID USER_CHID 4/5/6/7 stands for 2 nd line channel ID |
| DET_CHID | Data information of Detection channel ID DET_CHID 0/1/2/3 stands for 1 st line channel ID DET_CHID 4/5/6/7 stands for 2 nd line channel ID |
| | Read mode depends on VBI_RD_CTL register |
| 0 | Encoded Auto/User/Detection channel ID |
| 1 | Decoded Auto/User/Detection channel ID |

| Index | [7] | [6] | [5] | [4] | [3] | [2] | [1] | [0] |
|-------|----------|-----|----------|-----|-----------|-----|-----------|-----|
| 1xA0 | ENC_IN_X | | ENC_IN_Y | | CCIR_IN_X | | CCIR_IN_Y | |

ENC_IN Select the video data for analog output of video encoder.

- 0 Video data of display path without OSD and mouse overlay (default)
- 1 Video data of display path with OSD and mouse overlay
- 2 Video data of record path without OSD and mouse overlay
- 3 Video data of record path with OSD and mouse overlay

CCIR_IN Select the video data for ITU-R BT 656 digital output.

- 0 Video data of display path without OSD and mouse overlay (default)
- 1 Video data of display path with OSD and mouse overlay
- 2 Video data of record path without OSD and mouse overlay
- 3 Video data of record path with OSD and mouse overlay

| Index | [7] | [6] | [5] | [4] | [3] | [2] | [1] | [0] |
|-------|-----------|-----|------------|-----|-----------|-----|------------|-----|
| 1xA1 | DAC_PD_CX | 0 | DAC_OUT_YX | | DAC_PD_YX | 0 | DAC_OUT_CX | |

DAC_PD_YX Enable the power down of VAOYX DAC.
DAC_PD_CX Enable the power down of VAOCX DAC.

- 0 Normal operation (default)
- 1 Enable power down of DAC

DAC_OUT_YX Define the analog video format for VAOYX DAC.
DAC_OUT_CX Define the analog video format for VAOCX DAC.

- 0 No Output (default)
- 1 CVBS for display path
- 2 Luminance for display path
- 3 Chrominance for display path

| Index | [7] | [6] | [5] | [4] | [3] | [2] | [1] | [0] |
|-------|-----|------------|-----|-----|-----------|-----|-----|-----|
| 1xA2 | 1 | DAC_OUT_YY | | | DAC_PD_YY | 0 | 0 | 0 |

DAC_PD_YY Enable the power down of VAOYY DAC.
 0 Normal operation (default)
 1 Enable power down of DAC

DAC_OUT_YY Define the analog video format for VAOYY DAC.
 0 No Output (default)
 1 CVBS for display path
 2 Not supported
 3 Not supported
 4 Not supported
 5 CVBS for record path
 6 Not supported
 7 Not supported

| Path | | Display | | | | Record |
|--------|-------|-----------|------|------|--------|--------|
| Format | | No Output | CVBS | Luma | Chroma | CVBS |
| Output | VAOYX | O | O | O | O | X |
| | VAOCX | O | O | O | O | X |
| | VAOYY | O | O | X | X | O |

| Index | [7] | [6] | [5] | [4] | [3] | [2] | [1] | [0] |
|-------|----------|-----|------------|-----|------------------|-----|------------|-----|
| 1xA3 | CCIR_601 | 0 | CCIR_OUT_X | | CCIR_601_ INV | 0 | CCIR_OUT_Y | |

CCIR_601 Define the digital data output format.

- 0 ITU-R BT.656 mode (default)
- 1 ITU-R BT.601 mode

CCIR_601_INV Swap Y/C output port when CCIR_601 = 1

- 0 VDOX : Y output, VDOY : C output (default)
- 1 VDOX : C output, VDOY : Y output

CCIR_OUT Define the mode of ITU-R BT.656 digital output.

The default value is "0" for CCIR_OUT_X, but "1" for CCIR_OUT_Y.

When ITU-R BT.656 is selected (CCIR_601 = 0)

- 0 Display path video data with single output mode (27MHz)
- 1 Record path video data with single output mode (27MHz)
- 2 Display and Record path video data with dual output mode (54MHz)
- 3 Record and Display path video data with dual output mode (54MHz)

When ITU-R BT.601 is selected (CCIR_601 = 1)

- 0 Display path video data with single output mode (13.5MHz)
- 1 Record path video data with single output mode (13.5MHz)
- 2 Dual output mode with Display and Record path video data (27MHz)
- 3 Dual output mode with Record and Display path video data (27MHz)

| Index | [7] | [6] | [5] | [4] | [3] | [2] | [1] | [0] |
|-------|----------|----------|--------|---------|-------------|-----------|-----------|------------|
| 1xA4 | ENC_MODE | CCIR_LMT | ENC_VS | ENC_FLD | CCIR_FLDPOL | ENC_HSPOL | ENC_VSPOL | ENC_FLDPOL |

| | |
|-------------|---|
| ENC_MODE | Define the operation mode of video encoder. 0 Slave operation mode (default) 1 Master operation mode |
| CCIR_LMT | Control the data range of ITU-R BT 656 output. 0 Not limited (default) 1 Data range is limited to 1 ~ 254 code |
| ENC_VS | Define the vertical sync detection type. 0 Detect vertical sync from VSENC pin (default) 1 Detect vertical sync from combination of HSENC and FLDEN pins |
| ENC_FLD | Define the field polarity detection type 0 Detect field polarity from FLDENC pin (default) 1 Detect field polarity from combination of HSENC and VSENC pins |
| CCIR_FLDPOL | Control the field polarity of ITU-R BT 656 output. 0 High for even field (default) 1 High for odd field |
| ENC_HSPOL | Control the horizontal sync polarity. 0 Active low (default) 1 Active high |
| ENC_VSPOL | Control the vertical sync polarity. 0 Active low (default) 1 Active high |
| ENC_FLDPOL | Control the field polarity. 0 Even field is high (default) 1 Odd field is high |

| Index | [7] | [6] | [5] | [4] | [3] | [2] | [1] | [0] |
|-------|-----------|-----|-----------|-----|-----|-----|-----|-----|
| 1xA5 | ENC_VSOFF | | ENC_VSDEL | | | | | |

ENC_VSOFF Compensate the field offset for first active video line.

0 Apply same ENC_VSDEL for odd and even field (default)

1 Apply {ENC_VSDEL+1} for odd and ENC_VSDEL for even field

2 Apply ENC_VSDEL for odd and {ENC_VSDEL +1} for even field

3 Apply ENC_VSDEL for odd and {ENC_VSDEL +2} for even field

ENC_VSDEL Control the line delay of vertical sync from active video by 1 line/step.

0 No delayed

 : :

32 32 line delay (default)

 : :

Table 1 63 line delay

| Index | [7] | [6] | [5] | [4] | [3] | [2] | [1] | [0] |
|-------|----------------|-----|-----|-------------|-----|-----|-----|-----|
| 1xA6 | ENC_HSDEL[9:2] | | | | | | | |
| 1xA7 | ENC_HSDEL[1:0] | | 0 | ACTIVE_VDEL | | | | |

ENC_HSDEL Control the pixel delay of horizontal sync from active video by 1/2 pixel/step.

0 No delayed

 : :

128 64 pixel delay (default)

 : :

1023 255 pixel delay

ACTIVE_VDEL Control the line delay of active video by 1 line/step.

0 - 11 Lines delayed

 : :

12 0 Line delayed (default)

 : :

Table 1 + 13 Lines delayed

| Index | [7] | [6] | [5] | [4] | [3] | [2] | [1] | [0] |
|-------|-----------|----------|-------------|-----|-----|-----------|------------|---------|
| 1xA8 | ACTIVE_MD | CCIR_STD | ACTIVE_HDEL | | | | | |
| 1xA9 | ENC_FSC | | 0 | 0 | 1 | ENC_PHALT | ENC_ALTRST | ENC_PED |

- ACTIVE_MD** Select the active delay mode for digital BT. 656 output
- 0 Control the active delay for both analog encoder and digital output (default)
 - 1 Control the active delay for only analog encoder
- CCIR_STD** Select the ITU-R BT656 standard format for 60Hz system.
- 0 240 line for odd and even field (default)
 - 1 244 line for odd and 243 line for even field (ITU-R BT.656 standard)
- ACTIVE_HDEL** Control the pixel delay of active video by 1 pixel/step.
- 0 - 32 Pixel delay
 - :
 - :
 - 32 0 Pixel delay (default)
 - :
 - :
 - 63 + 31 Pixel delay
- ENC_FSC** Set color sub-carrier frequency for video encoder.
- 0 3.57954545 MHz (default)
 - 1 4.43361875 MHz
 - 2 3.57561149 MHz
 - 3 3.58205625 MHz
- ENC_PHALT** Set the phase alternation.
- 0 Disable phase alternation for line-by-line (default)
 - 1 Enable phase alternation for line-by-line
- ENC_ALTRST** Reset the phase alternation every 8 field
- 0 No reset mode (default)
 - 1 Reset the phase alternation every 8 field
- ENC_PED** Set 7.5IRE for pedestal level
- 0 0 IRE for pedestal level
 - 1 7.5 IRE for pedestal level (default)

| Index | [7] | [6] | [5] | [4] | [3] | [2] | [1] | [0] |
|-------|-----------|-----|-----------|-----|-----------|-----|-----------|-----|
| 1xAA | ENC_CBW_X | | ENC_YBW_X | | ENC_CBW_Y | | ENC_YBW_Y | |

ENC_CBW Control the chrominance bandwidth of video encoder.

- 0 0.8 MHz
- 1 1.15 MHz
- 2 1.35 MHz (default)
- 3 1.35 MHz

ENC_YBW Control the luminance bandwidth of video encoder.

- 0 Narrow bandwidth
- 1 Narrower bandwidth
- 2 Wide bandwidth (default)
- 3 Middle band width

| Index | [7] | [6] | [5] | [4] | [3] | [2] | [1] | [0] |
|-------|-----|-------|-------|-------|-----------|-------------|-----------|-------------|
| 1xAB | 0 | HOUT* | VOUT* | FOUT* | ENC_BAR_X | ENC_CKILL_X | ENC_BAR_Y | ENC_CKILL_Y |

Notes “*” stand for read only register

HOUT Status of horizontal sync for encoder timing
VOUT Status of vertical sync for encoder timing
FOUT Status of field polarity for encoder timing

ENC_BAR Enable the test pattern output.

- 0 Normal operation (default)
- 1 Internal color bar with 100% amplitude 100 % saturation

ENC_CKILL Enable the color killing function

- 0 Normal operation (default)
- 1 Color is killed

| Index | [7] | [6] | [5] | [4] | [3] | [2] | [1] | [0] |
|-------|--------------|-----|--------------|-----|-----|-----|-----|--------------|
| 1xAC | ENC_CLK_FR_X | | ENC_CLK_PH_X | | | | | ENC_CLKDEL_X |
| 1xAD | ENC_CLK_FR_Y | | ENC_CLK_PH_Y | | | | | ENC_CLKDEL_Y |
| 1xAE | DEC_CLK_FR_X | | DEC_CLK_PH_X | | | | | DEC_CLKDEL_X |
| 1xAF | DEC_CLK_FR_Y | | DEC_CLK_PH_Y | | | | | DEC_CLKDEL_Y |

ENC_CLK_FR_X Control the clock frequency of CLKVDOX pin (default = 1, 27MHz)

ENC_CLK_FR_Y Control the clock frequency of CLKVDOY pin (default = 1, 27MHz)

DEC_CLK_FR_X Control the clock frequency of CLKMPP1 pin (default = 2, 27MHz)

DEC_CLK_FR_Y Control the clock frequency of CLKMPP2 pin (default = 0, 54MHz)

- 0 54MHz
- 1 27MHz for Memory Controlled Digital Output
- 2 27MHz for Decoder Bypassed Digital Output
- 3 13.5MHz for Memory Controlled Digital Output

ENC_CLK_PH_X Control the clock phase of CLKVDOX pin (default = 0, 0 degree)

ENC_CLK_PH_Y Control the clock phase of CLKVDOY pin (default = 2, 180 degree)

DEC_CLK_PH_X Control the clock phase of CLKMPP1 pin (default = 0, 0 degree)

DEC_CLK_PH_Y Control the clock phase of CLKMPP2 pin (default = 0, 0 degree)

- 0 None operation
- 1 None operation when clock frequency is not 13.5MHz
90 degree shift when clock frequency is 13.5MHz
- 2 180 degree Phase Inverting
- 3 180 degree Phase Inverting when clock frequency is not 13.5MHz
270 degree shift when clock frequency is 13.5MHz

ENC_CLKDEL_X Control the clock delay of CLKVDOX pin

ENC_CLKDEL_Y Control the clock delay of CLKVDOY pin

DEC_CLKDEL_X Control the clock delay of CLKMPP1 pin

DEC_CLKDEL_Y Control the clock delay of CLKMPP2 pin

The delay can be controlled by 1ns.

The default value is 0.

| Index | [7] | [6] | [5] | [4] | [3] | [2] | [1] | [0] |
|-------|--------------|-----|---------|-----|--------------|-----|---------|-----|
| 1xB0 | 0 | 0 | MPPOUT2 | | MPPOUT1 | | MPPOUT0 | |
| 1xB1 | MPPSET0_MSB | | | | MPPSET0_LSB | | | |
| 1xB2 | MPPDATA0_MSB | | | | MPPDATA0_LSB | | | |
| 1xB3 | MPPSET1_MSB | | | | MPPSET1_LSB | | | |
| 1xB4 | MPPDATA1_MSB | | | | MPPDATA1_LSB | | | |
| 1xB5 | MPPSET2_MSB | | | | MPPSET2_LSB | | | |
| 1xB6 | MPPDATA2_MSB | | | | MPPDATA2_LSB | | | |

| | |
|-------------|---|
| MPPOUT2 | Select the MPP2 pin function (default= 0) |
| MPPOUT1 | Select the MPP1 pin function (default= 0) |
| MPPOUT0 | Select the DLINKI pin function (default= 0) In cascaded mode, DLINKI pin is reserved for cascaded operation |
| | 0 Multi purpose output mode 1 (default) |
| | 1 GPPIO mode |
| | 2 Multi purpose output mode 2 |
| MPPSET_MSB | Select the function for MPP [7:4] pins in Multi purpose output Mod 1 Select I/O for each bit for MPP [7:4] pins in GPPIO Mode Select the function for MPP [7:4] pins in Multi purpose output Mod 2 (default= 0) |
| MPPSET_LSB | Select the function for MPP [3:0] pins in Multi purpose output Mod 1 Select I/O for each bit for MPP [3:0] pins in GPPIO Mode Select the function for MPP [3:0] pins in Multi purpose output Mod 2 (default= 0) The detailed description for each mode is shown in following table |
| MPPDATA_MSB | In writing mode, the data is for MPP [7:4] in GPPIO mode In reading mode, the data stands for MPP [7:4] pin status (default= 0) |
| MPPDATA_LSB | In writing mode, the data is for MPP [3:0] in GPPIO mode In reading mode, the data stands for MPP [3:0] pin status (default= 0) |

| MPP_MD | MPP_SET | I/O | MPP_DATA | Remark |
|--------|----------|-----------------------------|----------------------|--------------------------|
| 0 | 0 | In | Input Data from Pin | Default |
| | 1 | Out | STROBE_DET_C | Capture path |
| | 2 | | CHID_MUX[3:0] | |
| | 3 | | CHID_MUX[7:4] | |
| | 4 | | MUX_OUT_DET[15:12] | |
| | 5 – 7 | | - | Reserved |
| | 8 | STROBE_DET_D | Display Path | |
| | 9 – 13 | - | Reserved | |
| | 14 | {1'b0, H, V, F} | BT. 656 Sync | |
| | 15 | {hsync, vsync, field, link} | Analog Encoder Sync | |
| 1 | 0 | Out | Write Data to Pin | GPP I/O Mode |
| | 1 | In | Input Data from Pin | |
| 2 | 0 | Out | Decoder H Sync | Bit[3:0] : VIN3 ~ VIN0 |
| | 1 | | Decoder V Sync | |
| | 2 | | Decoder Field Sync | |
| | 3 | | Decoder Ch 0/1 [7:4] | MSB for Ch 0/1 |
| | 4 | | Decoder Ch 0/1 [3:0] | LSB for Ch 0/1 |
| | 5 | | Decoder Ch 2/3 [7:4] | MSB for Ch 2/3 |
| | 6 | | Decoder Ch 2/3 [3:0] | LSB for Ch 2/3 |
| | 7 | | - | Reserved |
| | 8 | | NOVID_DET_M | For VINA (ANA_SW = 0) |
| | 9 | | MD_DET_M | |
| | 10 | | BD_DET_M | |
| | 11 | | ND_DET_M | |
| | 12 | | NOVID_DET_S | For VINB (ANA_SW = 1) |
| | 13 | | MD_DET_S | |
| | 14 | | BD_DET_S | |
| 15 | ND_DET_S | | | |

| Index | [7] | [6] | [5] | [4] | [3] | [2] | [1] | [0] |
|-------|-----|-----|-----|-----|-----|-----|-----|-----|
| 1xB7 | | | | | 00 | | | |
| 1xB8 | | | | | 00 | | | |
| 1xB9 | | | | | 00 | | | |
| 1xBA | | | | | 00 | | | |
| 1xBB | | | | | 00 | | | |
| 1xBC | | | | | 00 | | | |
| 1xBD | | | | | 00 | | | |
| 1xBE | | | | | 00 | | | |
| 1xBF | | | | | 00 | | | |

This is reserved register.

For normal operation, the above value should be set in this register.

| Index | [7] | [6] | [5] | [4] | [3] | [2] | [1] | [0] |
|-------|---------------------|------------|-----|-----|--------------|-----|-----|-----|
| 2x00 | OSD_BUF_DATA[31:24] | | | | | | | |
| 2x01 | OSD_BUF_DATA[23:16] | | | | | | | |
| 2x02 | OSD_BUF_DATA[15:8] | | | | | | | |
| 2x03 | OSD_BUF_DATA[7:0] | | | | | | | |
| 2x04 | OSD_BUF_WR | OSD_BUF_RD | 0 | | OSD_BUF_ADDR | | | |

OSD_BUF_DATA Define the writing data of OSD buffer (Internal Buffer Size = 32Bit x 16) in normal single writing mode

Define the OSD acceleration data in acceleration downloading mode (default = 0)

[31:24] is left top font from 4 OSD dot in display path

[31:28] is left top font from 8 OSD dot in capture path

Read mode depends on OSD_BUF_RD

0 Read the buffer data with OSD_BUF_ADDR (default)

1 Read the OSD acceleration downloading data

OSD_BUF_WR Request to write the OSD internal buffer

This bit is cleared automatically after downloading is finished

0 Disable the writing or Writing is finished (default)

1 Enable the writing

OSD_BUF_ADDR Select the OSD internal buffer address to read/write

0 0 internal buffer address (default)

: :

Table 1 15 internal buffer address

| Index | [7] | [6] | [5] | [4] | [3] | [2] | [1] | [0] |
|-------|---------------------|-----|-----|-----|---------------------|-----|-------------------|-----|
| 2x05 | OSD_START_HPOS | | | | | | | |
| 2x06 | OSD_END_HPOS | | | | | | | |
| 2x07 | OSD_START_VPOS[7:0] | | | | | | | |
| 2x08 | OSD_END_VPOS[7:0] | | | | | | | |
| 2x09 | | | | | OSD_START_VPOS[9:8] | | OSD_END_VPOS[9:8] | |

OSD_START_HPOS Define the horizontal starting position in normal single writing mode

Define the horizontal starting position in acceleration downloading mode

For display path, 4 pixel per unit

0 1 pixel (default)

: :

179 716 pixel

For record path, 8 pixel per unit

0 1 pixel

: :

Table 1 712 pixel

OSD_END_HPOS Define the horizontal end position in acceleration wiring mode (default = 0)

Same unit as the OSD_START_HPOS

OSD_START_VPOS Define the vertical starting position in normal single writing mode

Define the vertical starting position in acceleration downloading mode

Bit [9] stands for writing field

0 Odd field (default)

1 Even field

Bit [8:0] stands for writing line number

0 1 Line (default)

: :

239 240 Line for 60Hz system

: :

Table 1 288 Line for 50Hz system

OSD_END_VPOS Define the vertical end position in acceleration downloading mode

(default = 0)

The unit is same as the OSD_START_VPOS

| Index | [7] | [6] | [5] | [4] | [3] | [2] | [1] | [0] |
|-------|-------------|------------|--------------|------------|-----|-----|-----|-------------|
| 2x09 | BUF_WR_SIZE | | | | | | | |
| 2x0A | OSD_MEM_WR | OSD_ACC_EN | OSD_MEM_PATH | OSD_PAGE_D | | | 0 | INDEX_RD_MD |

BUF_WR_SIZE Define the buffer downloading size in normal single writing mode
 0 32 Bit X 1 (default)
 : :
 Table 1 32 Bit X 16

OSD_MEM_WR Enable to write the OSD into memory.
 This bit is cleared automatically after downloading is finished
 0 Disable the writing or Writing is finished (default)
 1 Enable the writing

OSD_ACC_EN Select the OSD writing mode
 0 Normal single writing mode using internal buffer (default)
 1 Acceleration downloading mode

OSD_MEM_PATH Select the OSD writing Path
 0 Display path (default)
 1 Record path

OSD_WR_PAGE Select OSD writing page for display path
 0 Page = 0 (default)
 : :
 Table 1 Page = 5
 6/7 Not allowed

| Index | [7] | [6] | [5] | [4] | [3] | [2] | [1] | [0] |
|-------|--------------|----------------|-----|-----|-----|-----|-----|-----|
| 2x0B | OSD_INDEX_Y | | | | | | | |
| 2x0C | OSD_INDEX_CB | | | | | | | |
| 2x0D | OSD_INDEX_CR | | | | | | | |
| 2x0E | OSD_INDEX_WR | OSD_INDEX_ADDR | | | | | | |

OSD_INDEX_Y Y component for Color Look-Up Table (default = 0)
 OSD_INDEX_CB Cb component for Color Look-Up Table (default = 0)
 OSD_INDEX_CR Cr component for Color Look-Up Table (default = 0)
 OSD_INDEX_WR Request to write the Color Look-Up Table
 This register is cleared automatically after downloading is finished
 0 Disable the writing or Writing is finished (default)
 1 Enable the Writing

OSD_INDEX_ADDR Define the OSD index address for Color Look-Up Table
 0 0 index of LUT for display path (default)
 : :
 63 63 index of LUT for display path
 64 0 index of LUT for capture path
 : :
 67 3 index of LUT for capture path
 68- Not allowed

| Index | [7] | [6] | [5] | [4] | [3] | [2] | [1] | [0] |
|-------|-----|---------------|-----|-----|-----------|-----|-----------|-----|
| 2x0F | 0 | OSD_RD_PAGE_X | | | OSD_FLD_X | | OSD_FLD_Y | |

OSD_RD_PAGE_X Select the OSD reading page for display path
 0 Page = 0 (default)
 : :
 Table 1 Page = 5
 6/7 Not allowed

OSD_FLD Enable the bitmap overlay
 0 Disable the bitmap overlay (default)
 1 Enable the bitmap overlay with even field display RAM
 2 Enable the bitmap overlay with odd field display RAM
 3 Enable the bitmap overlay with both odd and even field display RAM

| Index | [7] | [6] | [5] | [4] | [3] | [2] | [1] | [0] |
|-------|-------------|----------|----------|---------|-----------|-----|-----------|-----------|
| 2x10 | CUR_ON_X | CUR_ON_Y | CUR_TYPE | CUR_SUB | CUR_BLINK | 0 | CUR_HP[0] | CUR_VP[0] |
| 2x11 | CUR_HP[8:1] | | | | | | | |
| 2x12 | CUR_VP[8:1] | | | | | | | |

- CUR_ON** Enable the mouse pointer.
0 Disable mouse pointer (default)
1 Enable mouse pointer
- CUR_TYPE** Select the mouse type
0 Small mouse pointer (default)
1 Large mouse pointer
- CUR_SUB** Control inside style of mouse pointer.
0 Transparent (default)
1 Filled with white color
- CUR_BLINK** Enable blink of mouse pointer.
0 Disable blink (default)
1 Enable blink with 0.5 second period
- CUR_HP** Control the horizontal location of mouse pointer.
0 0 Pixel position (default)
: :
360 720 Pixel position
- CUR_VP** Control the vertical location of mouse pointer.
0 0 Line position (default)
: :
Table 1 288 Line position

| Index | [7] | [6] | [5] | [4] | [3] | [2] | [1] | [0] |
|-------|-----|-----|-----|-----|-----|-----|-----|----------|
| 2x13 | | | | | | | | CLUT0_Y |
| 2x14 | | | | | | | | CLUT0_CB |
| 2x15 | | | | | | | | CLUT0_CR |
| 2x16 | | | | | | | | CLUT1_Y |
| 2x17 | | | | | | | | CLUT1_CB |
| 2x18 | | | | | | | | CLUT1_CR |
| 2x19 | | | | | | | | CLUT2_Y |
| 2x1A | | | | | | | | CLUT2_CB |
| 2x1B | | | | | | | | CLUT2_CR |
| 2x1C | | | | | | | | CLUT3_Y |
| 2x1D | | | | | | | | CLUT3_CB |
| 2x1E | | | | | | | | CLUT3_CR |

| | |
|----------|---|
| CLUT0_Y | Y component for user defined color 0 (default : 0) |
| CLUT0_CB | Cb component for user defined color 0 (default : 0) |
| CLUT0_CR | Cr component for user defined color 0 (default : 0) |
| CLUT1_Y | Y component for user defined color 1 (default : 0) |
| CLUT1_CB | Cb component for user defined color 1 (default : 0) |
| CLUT1_CR | Cr component for user defined color 1 (default : 0) |
| CLUT2_Y | Y component for user defined color 2 (default : 0) |
| CLUT2_CB | Cb component for user defined color 2 (default : 0) |
| CLUT2_CR | Cr component for user defined color 2 (default : 0) |
| CLUT3_Y | Y component for user defined color 3 (default : 0) |
| CLUT3_CB | Cb component for user defined color 3 (default : 0) |
| CLUT3_CR | Cr component for user defined color 3 (default : 0) |

| Index | [7] | [6] | [5] | [4] | [3] | [2] | [1] | [0] |
|-------|------------|-----|-----------|-----|-------------|-----|-----------|-----|
| 2x1F | TBLINK_OSD | | ALPHA_OSD | | ALPHA_2DBOX | | ALPHA_BOX | |

TBLINK_OSD Select the blink time for bitmap overlay

- 0 0.25 sec (default)
- 1 0.5 sec
- 2 1 sec
- 3 2 sec

ALPHA_OSD Select the alpha blending mode for bitmap overlay

- 0 50% (default)
- 1 50%
- 2 75%
- 3 25%

ALPHA_2DBOX Select the alpha blending mode for 2D arrayed Box

- 0 50% (default)
- 1 50%
- 2 75%
- 3 25%

ALPHA_BOX Select the alpha blending mode for Single Box

- 0 50% (default)
- 1 50%
- 2 75%
- 3 25%

| Box | Index | [7] | [6] | [5] | [4] | [3] | [2] | [1] | [0] |
|-----|-------|-------------|-----|--------------|-------------|-------------|--------------|-------------|-------------|
| B0 | 2x20 | BOX_BND_COL | | BOX_PLNMIX_Y | BOX_BNDEN_Y | BOX_PLNEN_Y | BOX_PLNMIX_X | BOX_BNDEN_X | BOX_PLNEN_X |
| B1 | 2x26 | | | | | | | | |
| B2 | 2x2C | | | | | | | | |
| B3 | 2x32 | | | | | | | | |

BOX_BND_COL Define the box boundary color for each box

- 0 0% White (Default)
- 1 25% White
- 2 50% White
- 3 75% White

BOX_PLNMIX_Y Enable the alpha blending for box plane area in record path

- 0 No alpha blending (Default)
- 1 Enable alpha blending

BOX_BNDEN_Y Enable the box boundary in record path

- 0 Disable (Default)
- 1 Enable

BOX_PLNEN_Y Enable the box plane area in record path

- 0 Disable (Default)
- 1 Enable

BOX_PLNMIX_X Enable the alpha blending of box plane area in display path

- 0 No alpha blending (Default)
- 1 Enable alpha blending

BOX_BNDEN_X Enable the box boundary in display path

- 0 Disable (Default)
- 1 Enable

BOX_PLNEN_X Enable the box plane area in display path

- 0 Disable (Default)
- 1 Enable

| Box | Index | [7] | [6] | [5] | [4] | [3] | [2] | [1] | [0] |
|-----|-------|------------|-----|-----|-----|-----|-----|-----|-----|
| B0 | 2x21 | BOX_PLNCOL | | | | | | | |
| B1 | 2x27 | | | | | | | | |
| B2 | 2x2D | | | | | | | | |
| B3 | 2x33 | | | | | | | | |

BOX_PLNCOL

Define the box plane color for each box

- 0 White (75% Amplitude 100% Saturation) (default)
- 1 Yellow (75% Amplitude 100% Saturation)
- 2 Cyan (75 % Amplitude 100 Saturation)
- 3 Green (75% Amplitude 100% Saturation)
- 4 Magenta (75% Amplitude 100% Saturation)
- 5 Red (75% Amplitude 100% Saturation)
- 6 Blue (75% Amplitude 100% Saturation)
- 7 0% Black
- 8 100% White
- 9 50% Gray
- 10 25% Gray
- 11 Blue (75% Amplitude 75% Saturation)
- 12 Defined by CLUT0
- 13 Defined by CLUT1
- 14 Defined by CLUT2
- 15 Defined by CLUT3

| Box | Index | [7] | [6] | [5] | [4] | [3] | [2] | [1] | [0] |
|-----|-------|------------|-----|-----|-----|----------|-----|-----|-----|
| B0 | 2x21 | | | | | BOXHL[0] | | | |
| B1 | 2x27 | | | | | | | | |
| B2 | 2x2D | | | | | | | | |
| B3 | 2x33 | | | | | | | | |
| B0 | 2x22 | BOXHL[8:1] | | | | | | | |
| B1 | 2x28 | | | | | | | | |
| B2 | 2x2E | | | | | | | | |
| B3 | 2x34 | | | | | | | | |

BOX_HL Define the horizontal left location of box.

0 Left end (default)

: :

Table 1 Right end

| Box | Index | [7] | [6] | [5] | [4] | [3] | [2] | [1] | [0] |
|-----|-------|------------|-----|-----|-----|----------|-----|-----|-----|
| B0 | 2x21 | | | | | BOXHW[0] | | | |
| B1 | 2x27 | | | | | | | | |
| B2 | 2x2D | | | | | | | | |
| B3 | 2x33 | | | | | | | | |
| B0 | 2x23 | BOXHW[8:1] | | | | | | | |
| B1 | 2x29 | | | | | | | | |
| B2 | 2x2F | | | | | | | | |
| B3 | 2x35 | | | | | | | | |

BOX_HW Define the horizontal size of box.

0 0 Pixel width (default)

: :

Table 1 720 Pixels width

| Box | Index | [7] | [6] | [5] | [4] | [3] | [2] | [1] | [0] |
|-----|-------|------------|-----|-----|-----|-----|-----|----------|-----|
| B0 | 2x21 | | | | | | | BOXVT[0] | |
| B1 | 2x27 | | | | | | | | |
| B2 | 2x2D | | | | | | | | |
| B3 | 2x33 | | | | | | | | |
| B0 | 2x24 | BOXVT[8:1] | | | | | | | |
| B1 | 2x2A | | | | | | | | |
| B2 | 2x30 | | | | | | | | |
| B3 | 2x36 | | | | | | | | |

BOX_VT Define the vertical top location of box.

0 Vertical top (default)

: :

Table 1 Vertical bottom

| Box | Index | [7] | [6] | [5] | [4] | [3] | [2] | [1] | [0] |
|-----|-------|------------|-----|-----|-----|-----|-----|-----|----------|
| B0 | 2x21 | | | | | | | | BOXVW[0] |
| B1 | 2x27 | | | | | | | | |
| B2 | 2x2D | | | | | | | | |
| B3 | 2x33 | | | | | | | | |
| B0 | 2x25 | BOXVW[8:1] | | | | | | | |
| B1 | 2x2B | | | | | | | | |
| B2 | 2x31 | | | | | | | | |
| B3 | 2x37 | | | | | | | | |

BOX_VW Define the vertical size of box.

0 0 Lines height (default)

: :

Table 1 288 Lines height

| Index | [7] | [6] | [5] | [4] | [3] | [2] | [1] | [0] |
|-------|-----|-----|-----|-----|--------------|-----|--------------|-----|
| 2x38 | 0 | | 0 | | OSD_OVL_MD_D | | OSD_OVL_MD_C | |

OSD_OVL_MD Control the OSD overlay mode for each path

0 No overlay (default)

1 Enable overlay with high priority

2 Enable overlay with low priority

3 Enable overlay with no priority

| 2DBox | Index | [7] | [6] | [5] | [4] | [3] | [2] | [1] | [0] |
|-------|-------|-----|-----|-----|-----|-----|-----|-----|-----|
|-------|-------|-----|-----|-----|-----|-----|-----|-----|-----|

| | | | | | |
|------|------|------------|------------|-------------|------------|
| 2DB0 | 2x5B | MDAREA_COL | | DETAREA_COL | |
| 2DB1 | 2x5C | | | | |
| 2DB2 | 2x5D | | | | |
| 2DB3 | 2x5E | | | | |
| 2x5F | | MDBND3_COL | MDBND2_COL | MDBND1_COL | MDBND0_COL |

MDAREA_COL Define the color of Mask plane in 2D arrayed box. (default = 0)

DETAREA_COL Define the color of Detection plane in 2D arrayed box. (default = 0)

- 0 White (75% Amplitude 100% Saturation)
- 1 Yellow (75% Amplitude 100% Saturation)
- 2 Cyan (75 % Amplitude 100 Saturation)
- 3 Green (75% Amplitude 100% Saturation)
- 4 Magenta (75% Amplitude 100% Saturation)
- 5 Red (75% Amplitude 100% Saturation)
- 6 Blue (75% Amplitude 100% Saturation)
- 7 0% Black
- 8 100% White
- 9 50% Gray
- 10 25% Gray
- 11 Blue (75% Amplitude 75% Saturation)
- 12 Defined by CLUT0
- 13 Defined by CLUT1
- 14 Defined by CLUT2
- 15 Defined by CLUT3

MDBND_COL Define the color of 2D arrayed box boundary

- 0 0 % Black (default)
- 1 25% Gray
- 2 50% Gray
- 3 75% White

Define the displayed color for cursor cell and motion-detected region

- 0,1 75% White (default)
- 2,3 0% Black

| 2Dbox | Index | [7] | [6] | [5] | [4] | [3] | [2] | [1] | [0] |
|-------|-------|----------------|----------------|----------------|-----------------|---------------|--------------|-----|-----|
| 2DB0 | 2x60 | 2DBOX _EN_X | 2DBOX _EN_Y | 2DBOX _MODE | 2DBOX_ CUREN | 2DBOX _MIX | 2DBOX_IN_SEL | | |
| 2DB1 | 2x68 | | | | | | | | |
| 2DB2 | 2x70 | | | | | | | | |
| 2DB3 | 2x78 | | | | | | | | |

- 2DBOX_EN** Enable the 2Dbox
- 0 Disable the 2D box (default)
 - 1 Enable the 2D box
- 2DBOX_MODE** Define the operation mode of 2D arrayed box.
- 0 Table mode (default)
 - 1 Motion display mode
- 2DBOX_CUREN** Enable the cursor cell inside 2D arrayed box.
- 0 Disable the cursor cell (default)
 - 1 Enable the cursor cell
- 2DBOX_MIX** Enable the alpha blending for 2D arrayed box plane with video data.
- 0 Disable the alpha blending (default)
 - 1 Enable the alpha blending with ALPHA_2DBOX setting (2x03)
- 2DBOX_IN_SEL** Select the input for Mask / Detection data of 2D Box.
- 0 Mask and Detection Data for VIN 0 and ANA_SW = 0 (default)
 - 1 Mask and Detection Data for VIN1 and ANA_SW = 0
 - 2 Mask and Detection Data for VIN 2 and ANA_SW = 0
 - 3 Mask and Detection Data for VIN 3 and ANA_SW = 0
 - 4 Mask and Detection Data for VIN 0 and ANA_SW = 1
 - 5 Mask and Detection Data for VIN1 and ANA_SW = 1
 - 6 Mask and Detection Data for VIN 2 and ANA_SW = 1
 - 7 Mask and Detection Data for VIN 3 and ANA_SW = 1

| 2Dbox | Index | [7] | [6] | [5] | [4] | [3] | [2] | [1] | [0] |
|-------|-------|----------------|----------------|-----------------|-----------------|-----------------|-----|-----|-----|
| 2DB0 | 2x61 | 2DBOX_ HINV | 2DBOX_ VINV | 2DBOX_ MSKEN | 2DBOX_ DETEN | 2DBOX_ BNDEN | 0 | | |
| 2DB1 | 2x69 | | | | | | | | |
| 2DB2 | 2x71 | | | | | | | | |
| 2DB3 | 2x79 | | | | | | | | |

2DBOX_HINV Enable the horizontal mirroring for 2D arrayed box.

- 0 Normal operation (default)
- 1 Enable the horizontal mirroring

2DBOX_VINV Enable the vertical mirroring for 2D arrayed box.

- 0 Normal operation (default)
- 1 Enable the vertical mirroring

2DBOX_DETEN Enable the detection plane of 2D arrayed box.

When 2DBOX_MODE = "0"

- 0 Disable the detection plane of 2D arrayed box (default)
- 1 Enable the detection plane of 2D arrayed box

When 2DBOX_MODE = "1"

- 0 Display the motion detection result with inner boundary
- 1 Display the motion detection result with plane

2DBOX_MSKEN Enable the mask plane of 2D arrayed box.

- 0 Disable the mask plane of 2D arrayed box (default)
- 1 Enable the mask plane of 2D arrayed box

2DBOX_BNDEN Enable the boundary of 2D arrayed box.

- 0 Disable the boundary (default)
- 1 Enable the boundary

| 2Dbox | Index | [7] | [6] | [5] | [4] | [3] | [2] | [1] | [0] | |
|-------|-------|---------------|-----|-----|-----|-----|-----|-----|-------------|--|
| 2DB0 | 2x61 | | | | | | | | 2DBOX_HL[0] | |
| 2DB1 | 2x69 | | | | | | | | | |
| 2DB2 | 2x71 | | | | | | | | | |
| 2DB3 | 2x79 | | | | | | | | | |
| 2DB0 | 2x62 | 2DBOX_HL[8:1] | | | | | | | | |
| 2DB1 | 2x6A | | | | | | | | | |
| 2DB2 | 2x72 | | | | | | | | | |
| 2DB3 | 2x7A | | | | | | | | | |

2DBOX_HL Define the horizontal left location of 2D arrayed box.
 0 Horizontal left end (default)
 : :
 Table 1 Horizontal right end

| 2Dbox | Index | [7] | [6] | [5] | [4] | [3] | [2] | [1] | [0] |
|-------|-------|----------|-----|-----|-----|-----|-----|-----|-----|
| 2DB0 | 2x63 | 2DBOX_HW | | | | | | | |
| 2DB1 | 2x6B | | | | | | | | |
| 2DB2 | 2x73 | | | | | | | | |
| 2DB3 | 2x7B | | | | | | | | |

2DBOX_HW Define the horizontal size of 2D arrayed box.
 0 0 Pixel width (default)
 : :
 Table 1 510 Pixels width

| 2Dbox | Index | [7] | [6] | [5] | [4] | [3] | [2] | [1] | [0] | |
|-------|-------|---------------|-----|-----|-----|-----|-----|-----|-----|-------------|
| 2DB0 | 2x61 | | | | | | | | | 2DBOX_VT[0] |
| 2DB1 | 2x69 | | | | | | | | | |
| 2DB2 | 2x71 | | | | | | | | | |
| 2DB3 | 2x79 | | | | | | | | | |
| 2DB0 | 2x64 | 2DBOX_VT[8:1] | | | | | | | | |
| 2DB1 | 2x6C | | | | | | | | | |
| 2DB2 | 2x74 | | | | | | | | | |
| 2DB3 | 2x7C | | | | | | | | | |

2DBOX_VT Define the vertical top location of 2D arrayed box.

0 Vertical top end (default)
 :
 :
 240 Vertical bottom end for 60Hz system
 :
 :
 Table 1 Vertical bottom end for 50Hz system

| 2Dbox | Index | [7] | [6] | [5] | [4] | [3] | [2] | [1] | [0] |
|-------|-------|----------|-----|-----|-----|-----|-----|-----|-----|
| 2DB0 | 2x65 | 2DBOX_VW | | | | | | | |
| 2DB1 | 2x6D | | | | | | | | |
| 2DB2 | 2x75 | | | | | | | | |
| 2DB3 | 2x7D | | | | | | | | |

2DBOX_VW Define the vertical size of 2D arrayed box.

0 0 Line height (default)
 :
 :
 Table 1 255 Line height

| 2Dbox | Index | [7] | [6] | [5] | [4] | [3] | [2] | [1] | [0] |
|-------|-------|------------|-----|-----|-----|------------|-----|-----|-----|
| 2DB0 | 2x66 | 2DBOX_HNUM | | | | 2DBOX_VNUM | | | |
| 2DB1 | 2x6E | | | | | | | | |
| 2DB2 | 2x76 | | | | | | | | |
| 2DB3 | 2x7E | | | | | | | | |

2DBOX_VNUM Define the row number of 2D arrayed box.
 For motion display mode, 11 is recommended.
 0 1 Row
 : :
 11 12 Row (default)
 : :
 Table 1 16 Rows

2DBOX_HNUM Define the column number of 2D arrayed box.
 For motion display mode, 15 is recommended.
 0 1 Column
 : :
 Table 1 16 Columns (default)

| 2Dbox | Index | [7] | [6] | [5] | [4] | [3] | [2] | [1] | [0] |
|-------|-------|-------------|-----|-----|-----|-------------|-----|-----|-----|
| 2DB0 | 2x67 | 2DBOX_CURHP | | | | 2DBOX_CURVP | | | |
| 2DB1 | 2x6F | | | | | | | | |
| 2DB2 | 2x77 | | | | | | | | |
| 2DB3 | 2x7F | | | | | | | | |

2DBOX_CURHP Define the horizontal location of cursor cell within 2DBOX_HNUM.
 0 1st Column (default)
 : :
 Table 1 16th Column

2DBOX_CURVP Define the vertical location of cursor cell within 2DBOX_VNUM.
 0 1st Row (default)
 : :
 Table 1 16th Row

| VIN | Index | [7] | [6] | [5] | [4] | [3] | [2] | [1] | [0] |
|-----|-------|-----------|-----------|------------|-----|------------|-----|-----|-----|
| 0 | 2x80 | MD_DIS | MD_REFFLD | BD_CELSENS | | BD_LVSENS | | | |
| 1 | 2xA0 | | | | | | | | |
| 2 | 2xC0 | | | | | | | | |
| 3 | 2xE0 | | | | | | | | |
| 0 | 2x81 | ND_LVSENS | | | | ND_TMPSENS | | | |
| 1 | 2xA1 | | | | | | | | |
| 2 | 2xC1 | | | | | | | | |
| 3 | 2xE1 | | | | | | | | |

- MD_DIS** Disable the motion and blind detection.
- 0 Enable motion and blind detection (default)
 - 1 Disable motion and blind detection
- MD_REFFLD** Control the updating time of reference field for motion detection.
- 0 Update reference field every field (default)
 - 1 Update reference field according to MD_SPEED
- BD_CELSENS** Define the threshold of cell for blind detection.
- 0 Low threshold (More sensitive) (default)
 - : :
 - 3 High threshold (Less sensitive)
- BD_LVSENS** Define the threshold of level for blind detection.
- 0 Low threshold (More sensitive) (default)
 - : :
 - 15 High threshold (Less sensitive)
- ND_LVSENS** Define the threshold of level for night detection.
- 0 Low threshold (More sensitive) (default)
 - : :
 - 3 High threshold (Less sensitive)
- ND_TMPSENS** Define the threshold of temporal sensitivity for night detection.
- 0 Low threshold (More sensitive) (default)
 - : :
 - Table 1 High threshold (Less sensitive)

| VIN | Index | [7] | [6] | [5] | [4] | [3] | [2] | [1] | [0] |
|-----|-------|---------------|-----|------------|-----------|----------|-----|-----|-----|
| 0 | 2x82 | MD_MASK_RD_MD | | MD_FLD | | MD_ALGIN | | | |
| 1 | 2xA2 | | | | | | | | |
| 2 | 2xC2 | | | | | | | | |
| 3 | 2xE2 | | | | | | | | |
| 0 | 2x83 | MD_CELSENS | | MD_DUAL_EN | MD_LVSENS | | | | |
| 1 | 2xA3 | | | | | | | | |
| 2 | 2xC3 | | | | | | | | |
| 3 | 2xE3 | | | | | | | | |

MD_MASK_RD_MD Select the read mode of MD_MASK register

- 0 Read motion detection information when ANA_SW = 0
- 1 Read motion detection information when ANA_SW = 1
- 2/3 Read the mask information

MD_FLD Select the field for motion detection.

- 0 Detecting motion for only odd field (default)
- 1 Detecting motion for only even field
- 2 Detecting motion for any field
- 3 Detecting motion for both odd and even field

MD_ALGIN Adjust the horizontal starting position for motion detection.

- 0 0 pixel (default)
- : :
- 15 15 pixels

MD_CELSENS Define the threshold of sub-cell number for motion detection.

- 0 Motion is detected if 1 sub-cell has motion (More sensitive) (default)
- 1 Motion is detected if 2 sub-cells have motion
- 2 Motion is detected if 3 sub-cells have motion
- 3 Motion is detected if 4 sub-cells have motion (Less sensitive)

MD_DUAL_EN Enable the non-realtime motion detection mode

- 0 Normal 4 channel motion detection mode (default)
- 1 8 channel detection mode for non-realtime application

MD_LVSENS Control the level sensitivity of motion detector.

- 0 More sensitive (default)
- : :
- Table 1 Less sensitive

| VIN | Index | [7] | [6] | [5] | [4] | [3] | [2] | [1] | [0] |
|-----|-------|----------------|---------|----------|------------|-----|-----|-----|-----|
| 0 | 2x84 | MD_ STRB_EN | MD_STRB | MD_SPEED | | | | | |
| 1 | 2xA4 | | | | | | | | |
| 2 | 2xC4 | | | | | | | | |
| 3 | 2xE4 | | | | | | | | |
| 0 | 2x85 | MD_TMPSENS | | | MD_SPSSENS | | | | |
| 1 | 2xA5 | | | | | | | | |
| 2 | 2xC5 | | | | | | | | |
| 3 | 2xE5 | | | | | | | | |

- MD_STRB_EN** Select the trigger mode of motion detection
- 0 Automatic trigger mode of motion detection (default)
 - 1 Manual trigger mode for motion detection
- MD_STRB** Request to start motion detection on manual trigger mode
- 0 None Operation (default)
 - 1 Request to start motion detection
- MD_SPEED** Control the velocity of motion detector.
Large value is suitable for slow motion detection.
In MD_DUAL_EN = 1, MD_SPEED should be limited to 0 ~ 31.
- 0 1 field intervals (default)
 - 1 2 field intervals
 - : :
 - 61 62 field intervals
 - 62 63 field intervals
 - 63 Not supported
- MD_TMPSENS** Control the temporal sensitivity of motion detector.
- 0 More Sensitive (default)
 - : :
 - 15 Less Sensitive
- MD_SPSSENS** Control the spatial sensitivity of motion detector.
- 0 More Sensitive (default)
 - : :
- Table 1 Less Sensitive

| Row | Index | | | | Motion Detection Mask Control for VIN | | | | | | | |
|---------------|-------|------|------|------|---------------------------------------|-----|-----|-----|-----|-----|-----|-----|
| | VIN0 | VIN1 | VIN2 | VIN3 | [7] | [6] | [5] | [4] | [3] | [2] | [1] | [0] |
| 1 | 2x86 | 2xA6 | 2xC6 | 2xE6 | | | | | | | | |
| 2 | 2x88 | 2xA8 | 2xC8 | 2xE8 | | | | | | | | |
| 3 | 2x8A | 2xAA | 2xCA | 2xEA | | | | | | | | |
| 4 | 2x8C | 2xAC | 2xCC | 2xEC | | | | | | | | |
| 5 | 2x8E | 2xAE | 2xCE | 2xEE | | | | | | | | |
| 6 | 2x90 | 2xB0 | 2xD0 | 2xF0 | | | | | | | | |
| 7 | 2x92 | 2xB2 | 2xD2 | 2xF2 | | | | | | | | |
| 8 | 2x94 | 2xB4 | 2xD4 | 2xF4 | | | | | | | | |
| 9 | 2x96 | 2xB6 | 2xD6 | 2xF6 | | | | | | | | |
| 10 | 2x98 | 2xB8 | 2xD8 | 2xF8 | | | | | | | | |
| 11 | 2x9A | 2xBA | 2xDA | 2xFA | | | | | | | | |
| 12 | 2x9C | 2xBC | 2xDC | 2xFC | | | | | | | | |
| MD_MASK[15:8] | | | | | | | | | | | | |
| 1 | 2x87 | 2xA7 | 2xC7 | 2xE7 | | | | | | | | |
| 2 | 2x89 | 2xA9 | 2xC9 | 2xE9 | | | | | | | | |
| 3 | 2x8B | 2xAB | 2xCB | 2xEB | | | | | | | | |
| 4 | 2x8D | 2xAD | 2xCD | 2xED | | | | | | | | |
| 5 | 2x8F | 2xAF | 2xCF | 2xEF | | | | | | | | |
| 6 | 2x91 | 2xB1 | 2xD1 | 2xF1 | | | | | | | | |
| 7 | 2x93 | 2xB3 | 2xD3 | 2xF3 | | | | | | | | |
| 8 | 2x95 | 2xB5 | 2xD5 | 2xF5 | | | | | | | | |
| 9 | 2x97 | 2xB7 | 2xD7 | 2xF7 | | | | | | | | |
| 10 | 2x99 | 2xB9 | 2xD9 | 2xF9 | | | | | | | | |
| 11 | 2x9B | 2xBB | 2xDB | 2xFB | | | | | | | | |
| 12 | 2x9D | 2xBD | 2xDD | 2xFD | | | | | | | | |
| MD_MASK[7:0] | | | | | | | | | | | | |

MD_MASK

Define the motion Mask/Detection cell for VIN

MD_MASK[15] is right end and MD_MASK[0] is left end of column.

In writing mode

- 0 Non-masking cell for motion detection (default)
- 1 Masking cell for motion detection

In reading mode when MASK_MODE = "0"

- 0 Motion is not detected for cell
- 1 Motion is detected for cell

In reading mode when MASK_MODE = "1"

- 0 Non-masked cell
- 1 Masked cell

| VIN | Index | [7] | [6] | [5] | [4] | [3] | [2] | [1] | [0] |
|-----|-------|---------------|-----|-----|-----|---------------|-----|-----|-----|
| 0 | 2x9E | DET_RESULT_S* | | | | DET_RESULT_M* | | | |
| 1 | 2xBE | | | | | | | | |
| 2 | 2xDE | | | | | | | | |
| 3 | 2xFE | | | | | | | | |

Notes “*” stand for read only register

DET_RESULT_S Detection result for Video Input with ANA_SW = 1

DET_RESULT_M Detection result for Video Input with ANA_SW = 0

Bit[3] stand for video loss detection result

Bit[2] stand for motion detection result

Bit[1] stand for blind detection result

Bit[0] stand for night detection result

0 Video Enable / No Motion / No Blind / Day

1 Video Loss/ Motion / Blind / Night

Parametric Information

DC Electrical Parameters

Table 14 Absolute Maximum Ratings

| Parameter | Symbol | Min | Typ | Max | Units |
|---|---------------------|------|-----|-----|-------|
| VDDADC (measured to VSSADC) | VDD _{ADCM} | -0.5 | | 2.3 | V |
| VDDDAC (measured to VSSDAC) | VDD _{DACM} | -0.5 | | 2.3 | V |
| VDDI (measured to VSSI) | VDD _{IM} | -0.5 | | 2.3 | V |
| VDDO (measured to VSSO) | VDD _{OM} | -0.5 | | 4.5 | V |
| Voltage on Any Digital Data Pin (See the note below) | - | -0.5 | | 4.5 | V |
| Analog Input Voltage for ADC | | -0.5 | | 2.0 | V |
| Storage Temperature | T _S | -65 | | 150 | ° C |
| Junction Temperature | T _J | - | | 125 | ° C |
| Vapor Phase Soldering (15 Seconds) | T _{VSOL} | - | | 220 | ° C |

NOTE: Long-term exposure to absolute maximum ratings may affect device reliability, and permanent damage may occur if operate exceeding the rating. The device should be operated under recommended operating condition.

Table 15 Recommended Operating Conditions

| Parameter | Symbol | Min | Typ | Max | Units |
|--|--------------------|------|-----|------|-------|
| VDDADC (measured to VSSADC) | VDD _{ADC} | 1.62 | 1.8 | 1.98 | V |
| VDDDAC (measured to VSSDAC) | VDD _{DAC} | 1.62 | 1.8 | 1.98 | V |
| VDDI (measured to VSSI) | VDD _I | 1.62 | 1.8 | 1.98 | V |
| VDDO (measured to VSSO) | VDD _O | 3.0 | 3.3 | 3.6 | V |
| Analog VIN Amplitude Range (AC coupling required) | VIN _R | 0 | 0.5 | 1.0 | V |
| Analog AIN Amplitude Range (AC coupling required) | AIN _R | 0 | 0.5 | 1.0 | V |
| Ambient Operating Temperature | T _A | -40 | | 85 | ° C |

Table 16 DC Characteristics

| Parameter | Symbol | Min | Typ | Max | Units |
|---|----------|------|------|----------|---------|
| Digital Inputs | | | | | |
| Input High Voltage (TTL) | V_{IH} | 2.0 | | 5.5 | V |
| Input Low Voltage (TTL) | V_{IL} | -0.3 | | 0.8 | V |
| Input Leakage Current (@ $V_I=2.5V$ or $0V$) | I_L | | | ± 10 | μA |
| Input Capacitance | C_{IN} | | 6 | | pF |
| Digital Outputs | | | | | |
| Output High Voltage | V_{OH} | 2.4 | | | V |
| Output Low Voltage | V_{OL} | | | 0.4 | V |
| High Level Output Current (@ $V_{OH}=2.4V$) | I_{OH} | 6.3 | 12.8 | 21.2 | mA |
| Low Level Output Current (@ $V_{OL}=0.4V$) | I_{OL} | 4.9 | 7.4 | 9.8 | mA |
| Tri-state Output Leakage Current (@ $V_O=2.5V$ or $0V$) | I_{OZ} | | | ± 10 | μA |
| Output Capacitance | C_O | | 6 | | pF |
| Analog Pin Input Capacitance | C_A | | 6 | | pF |

Table 17 Supply Current and Power Dissipation

| Parameter | Symbol | Min | Typ | Max | Units |
|--|-----------|-----|------|------|-------|
| Analog Supply Current (1.8V) | I_{DDA} | | 150 | 165 | mA |
| Digital Internal Supply Current (1.8V) | I_{DDI} | | 460 | 505 | mA |
| Digital I/O Supply Current (3.3V) | I_{DDO} | | 25 | 27 | mA |
| Total Power Dissipation | P_d | | 1.18 | 1.29 | W |

AC Electrical Parameters

Table 18 Clock Timing Parameters

| Parameter | Symbol | Min | Typ | Max | Units |
|-----------------------------------|--------|-----|-----|------|-------|
| Delay from CLK54I to CLKVDO | 1 | 4.7 | | 12.5 | ns |
| Hold from CLKVDO (27MHz) to Data | 2a | 17 | | | ns |
| Delay from CLKVDO (27MHz) to Data | 2b | | | 21 | ns |
| Hold from CLK54I to Data | 3a | 8 | | | ns |
| Delay from CLK54I to Data | 3b | | | 12 | ns |
| Setup from PBIN to PBCLK | 4a | 5 | | | ns |
| Hold from PBCLK to PBIN | 4b | 5 | | | ns |

Note : Load = 25pF.

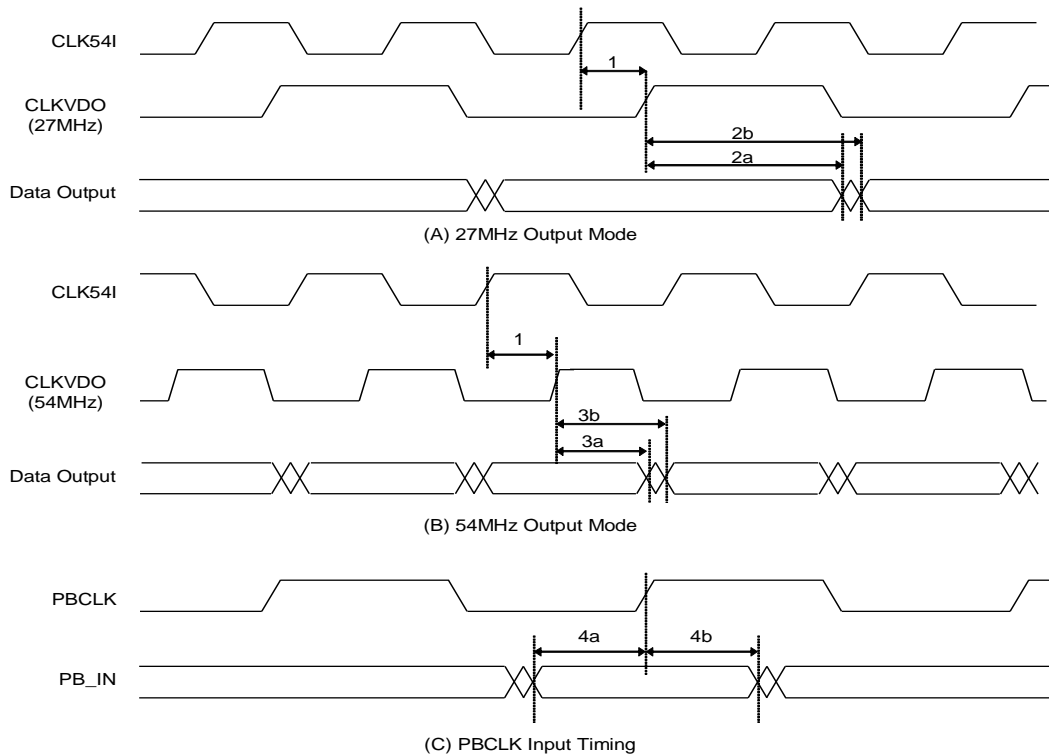


Fig 80 Clock Timing Diagram

Table 19. Serial Interface Timing

| Parameter | Symbol | Min | Typ | Max | Units |
|--------------------------------------|-------------|-----|-----|-----|-------|
| Bus Free Time between STOP and START | t_{BF} | 1.3 | | | us |
| SDAT setup time | t_{sSDAT} | 100 | | | ns |
| SDAT hold time | t_{hSDAT} | 0 | | 0.9 | us |
| Setup time for START condition | t_{sSTA} | 0.6 | | | us |
| Setup time for STOP condition | t_{sSTOP} | 0.6 | | | us |
| Hold time for START condition | t_{hSTA} | 0.6 | | | us |
| Rise time for SCLK and SDAT | t_R | | | 300 | ns |
| Fall time for SCLK and SDAT | t_F | | | 300 | ns |
| Capacitive load for each bus line | C_{BUS} | | | 400 | pF |
| SCLK clock frequency | f_{SCLK} | | | 400 | KHz |

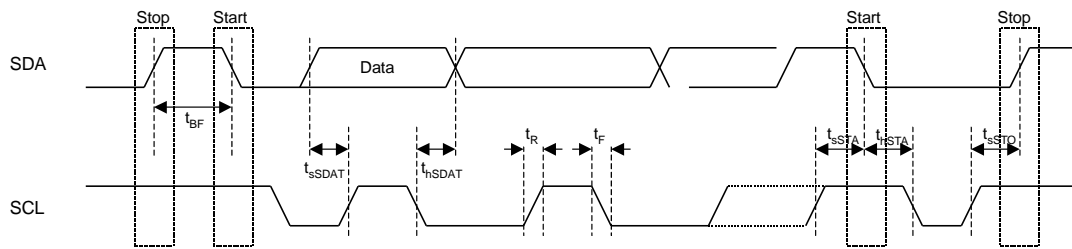


Fig 81. Serial Interface Timing Diagram

Table 20 Parallel Interface Timing Parameter

| Parameter | Symbol | Min | Typ | Max | Units |
|---|--------|-----|-----|-----|-------|
| CSB setup until AEN active | Tsu(1) | 10 | | | ns |
| PDATA setup until AEN,WENB active | Tsu(2) | 10 | | | ns |
| AEN, WENB, RENB active pulse width | Tw | 40 | | | ns |
| CSB hold after WENB, RENB inactive | Th(1) | 60 | | | ns |
| PDATA hold after AEN,WENB inactive | Th(2) | 20 | | | ns |
| PDATA delay after RENB active | Td(1) | | | 12 | ns |
| PDATA delay after RENB inactive | Td(2) | 60 | | | ns |
| CSB inactive pulse width | Tcs | 60 | | | ns |
| RENB active delay after AEN inactive RENB active delay after RENB inactive | Trd | 60 | | | ns |

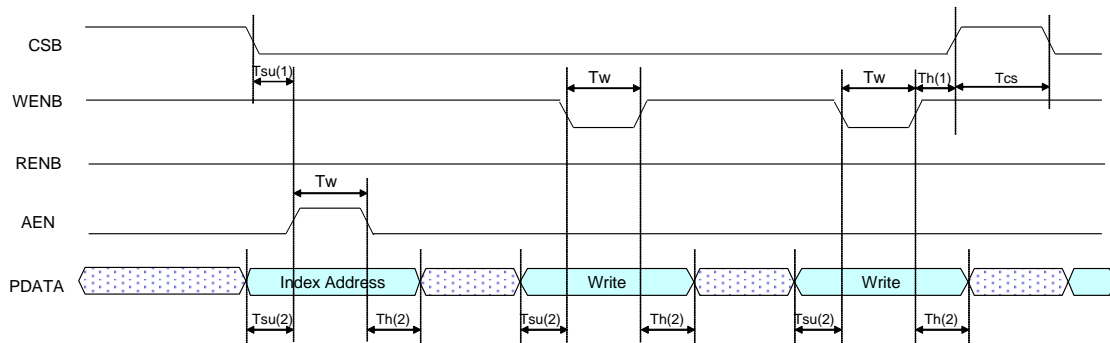


Fig 82 Write timing of parallel interface with auto index increment mode

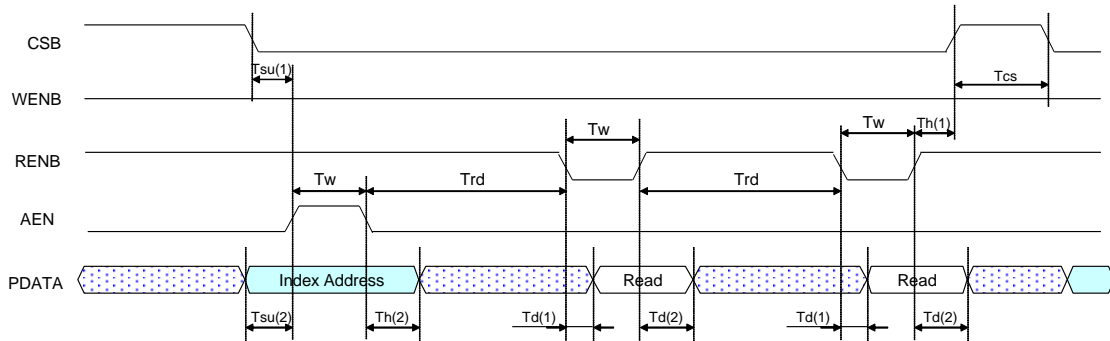


Fig 83 Read timing of parallel interface with auto index increment mode

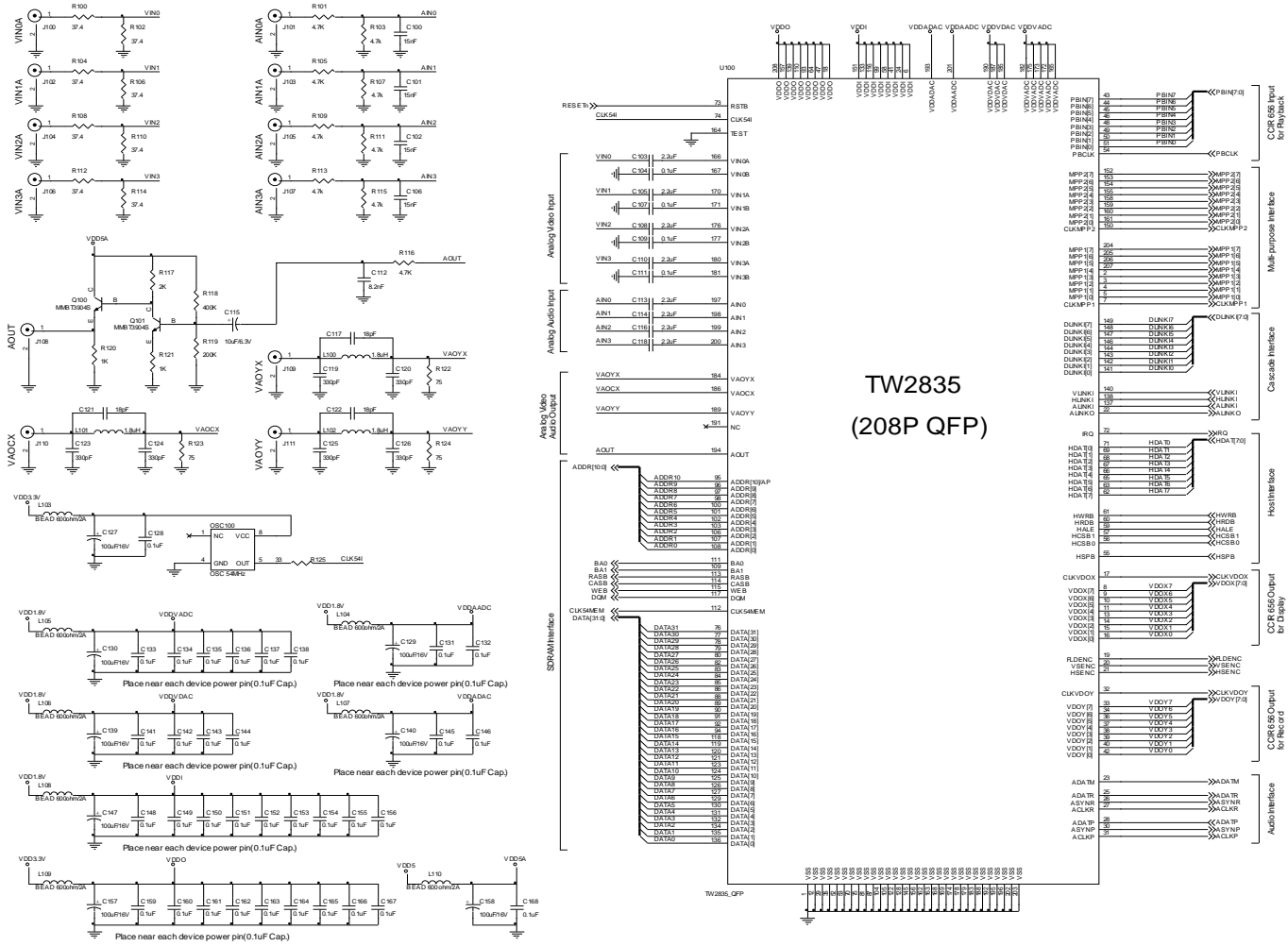
Table 21. Analog Performance Parameter

| Parameter | Symbol | Min | Typ | Max | Units |
|---------------------|----------------|-----|-----|-----|-------|
| ADC characteristics | | | | | |
| Differential gain | D_{GA} | | | 3 | % |
| Differential phase | D_{pA} | | | 2 | deg |
| Channel Cross-talk | α_{ctA} | | | -50 | dB |
| DAC characteristic | | | | | |
| Differential gain | D_{GD} | | | 3 | % |
| Differential phase | D_{pD} | | | 2 | deg |
| Channel Cross-talk | α_{ctA} | | | -50 | dB |

Table 22. Decoder Performance Parameter

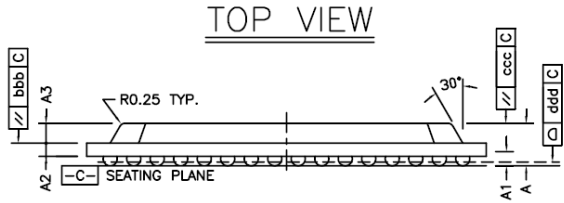
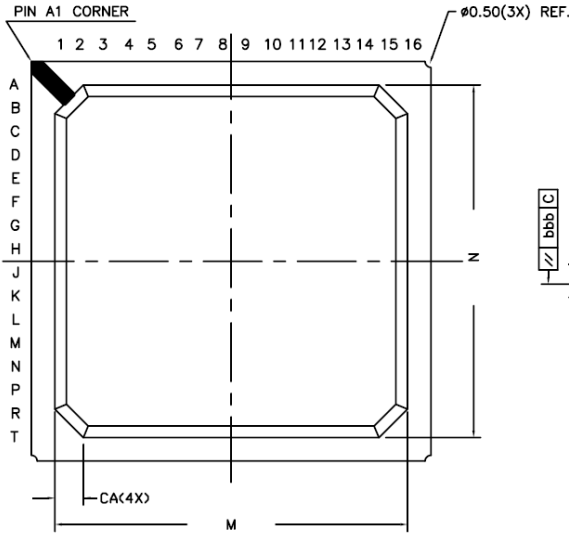
| Parameter | Symbol | Min | Typ | Max | Units |
|---|--------------------------|-----------|-----|-----------|-------|
| Horizontal PLL permissible static deviation | Δf_H | | | ± 6 | % |
| Color Sub-carrier PLL lock in range | Δf_{sc} | ± 800 | | | Hz |
| Video level tracking range | AGC | -6 | | 18 | dB |
| Color level tracking range | ACC | -6 | | 30 | dB |
| Oscillator Input | | | | | |
| Nominal frequency | f_{osc} | | 54 | | MHz |
| Permissible frequency deviation | $\Delta f_{osc}/f_{osc}$ | | | ± 100 | ppm |
| Duty cycle | dt_{osc} | | | 60 | % |

Application Schematic

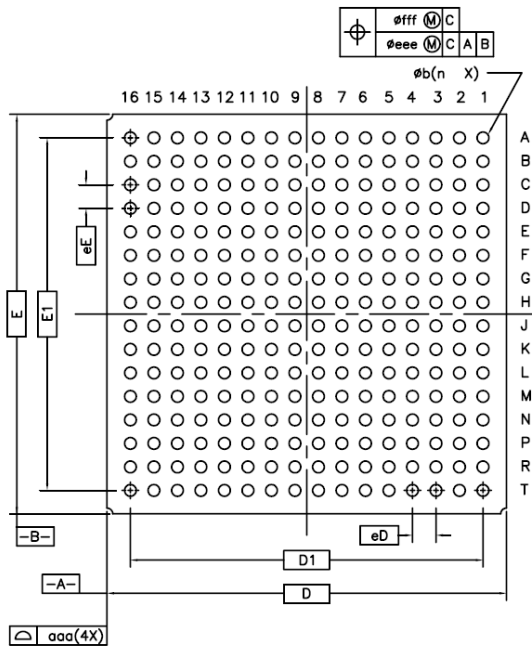


256 LPGA

TOP VIEW



BOTTOM VIEW



UNIT MM

| | Symbol | Common Dimensions |
|------------------------------|--------|-------------------|
| Package : | | LPGA |
| Body Size : | X | D 17.000 |
| | Y | E 17.000 |
| Ball Pitch : | X | eD 1.000 |
| | Y | eE 1.000 |
| Total Thickness : | A | 1.810 ±0.190 |
| Mold Thickness : | A3 | 0.850 Ref. |
| Substrate Thickness : | A2 | 0.560 Ref. |
| Ball Diameter : | | 0.500 |
| Stand Off : | A1 | 0.300 ~ 0.500 |
| Ball Width : | b | 0.400 ~ 0.600 |
| Mold Area : | X | M 15.000 |
| | Y | N 15.000 |
| Chamfer : | CA | 1.2 Ref. |
| Package Edge Tolerance : | aaa | 0.200 |
| Substrate Flatness : | bbb | 0.250 |
| Mold Flatness : | ccc | 0.350 |
| Coplanarity : | ddd | 0.200 |
| Ball Offset (Package) : | eee | 0.250 |
| Ball Offset (Ball) : | fff | 0.100 |
| Ball Count : | n | 256 |
| Edge Ball Center to Center : | X | D1 15.000 |
| | Y | E1 15.000 |

Revision History

Table 23 Datasheet Revision History

| Revision | Date | Description | Product Code |
|----------|---------------|---|--------------|
| 1.0 | Jul. 05. 2006 | Preliminary Datasheet Release | BAPA1 |
| 1.1 | Jul. 10.2006 | Update the Errata 1) Update the Fig 49 ~ Fig 52 for SYNC_DEL value (P. 78 ~ P. 81) Update the register description for SYNC_DEL (P. 208) 2) Update the register description for VIS_CODE_EN (P.209) 3) Update the register description for 2DBOX_HL (P.239) | BAPA1 |
| 1.2 | Oct. 10. 2006 | Update the Errata 1) Update the description of noise reduction (P. 69) 2) Update the Fig 52 (P. 81) 3) Correct the register address mismatch (P.83, P.87, P.88) 4) Update the register description for NR_EN (P. 116) 5) Update the register description for MIX_OUTSEL (P.155) 6) Remove the register description for ENHANCE (P. 198) 7) Update the recommended schematic for Audio LPF filter (P.253) | BAPA1 |
| 1.2.1 | Apr. 23, 2008 | Update the Errata 1) Update typo 0x44, 0x45 (P. 113) 2) Update description of 0x45 (P. 140) 3) Update description of 0x8B~0x8F, 0x9B~0x9F, 0xAB~0xAF, 0xBB~0xBF (P. 161 to P. 162) 4) Update the typo of 1x7E (P. 208) | BAPA1 |
| 1.2.2 | Apr. 30, 2008 | Update the Errata 1) Update detailed VSS name on the picture (P.15~P.16) 2) Fix typo on register address (P. 69) 3) Fix typo in addresses (P.232 ~ P. 235) 4) Change AOT to 0 (P.247) | BAPA1 |
| 1.3 | Apr. 09, 2009 | Update Ambient operating temperature, remove min junction temperature information. Add RoHS compliant label | BAPA1 |
| FN7740.0 | Jan 10, 2011 | Assigned file number FN7740 to datasheet as this will be the first release with an Intersil file number. Replaced header and footer with Intersil header and footer. No changes to datasheet content. | |
| FN7740.1 | May 22, 2017 | Added new header/footer Moved Introduction and features list from page 5 to page 1. | |

© Copyright Intersil Americas LLC 2011-2017. All Rights Reserved.

All trademarks and registered trademarks are the property of their respective owners.

For additional products, see www.intersil.com/product_tree

Intersil products are manufactured, assembled and tested utilizing ISO9001 quality systems as noted in the quality certifications found at <http://www.intersil.com/en/support/qualandreliability.html>

Intersil products are sold by description only. Intersil may modify the circuit design and/or specifications of products at any time without notice, provided that such modification does not, in Intersil's sole judgment, affect the form, fit or function of the product. Accordingly, the reader is cautioned to verify that datasheets are current before placing orders. Information furnished by Intersil is believed to be accurate and reliable. However, no responsibility is assumed by Intersil or its subsidiaries for its use; nor for any infringements of patents or other rights of third parties which may result from its use. No license is granted by implication or otherwise under any patent or patent rights of Intersil or its subsidiaries.

For information regarding Intersil Corporation and its products, see <http://www.intersil.com>