

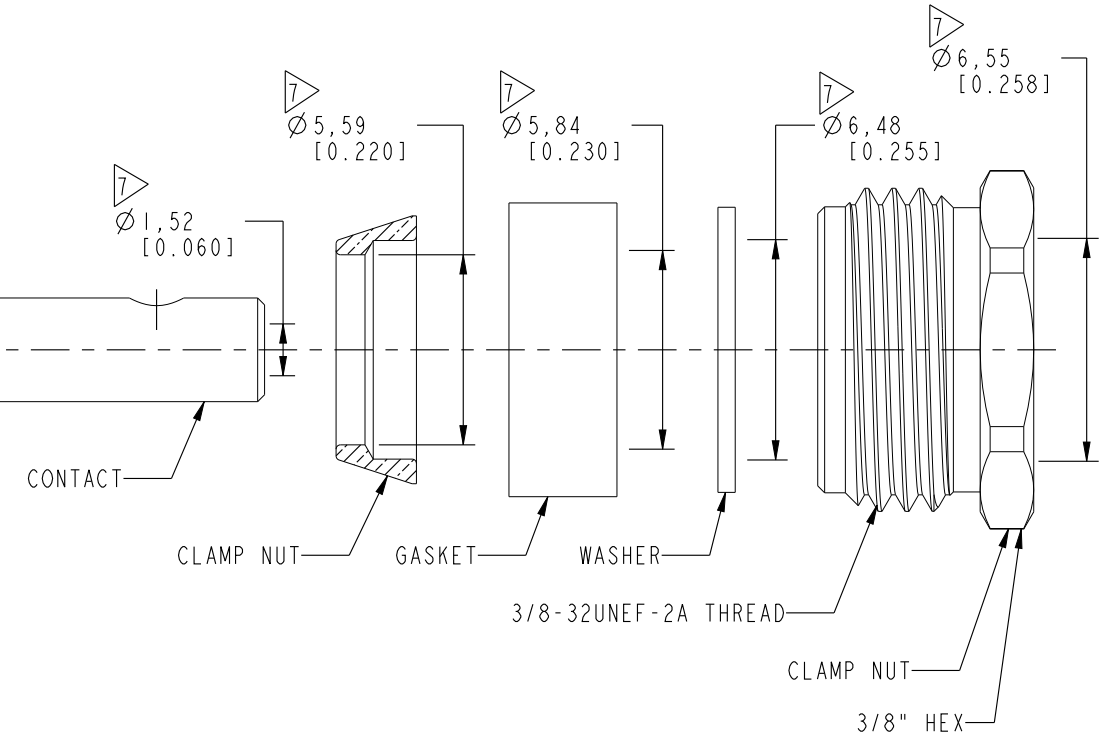
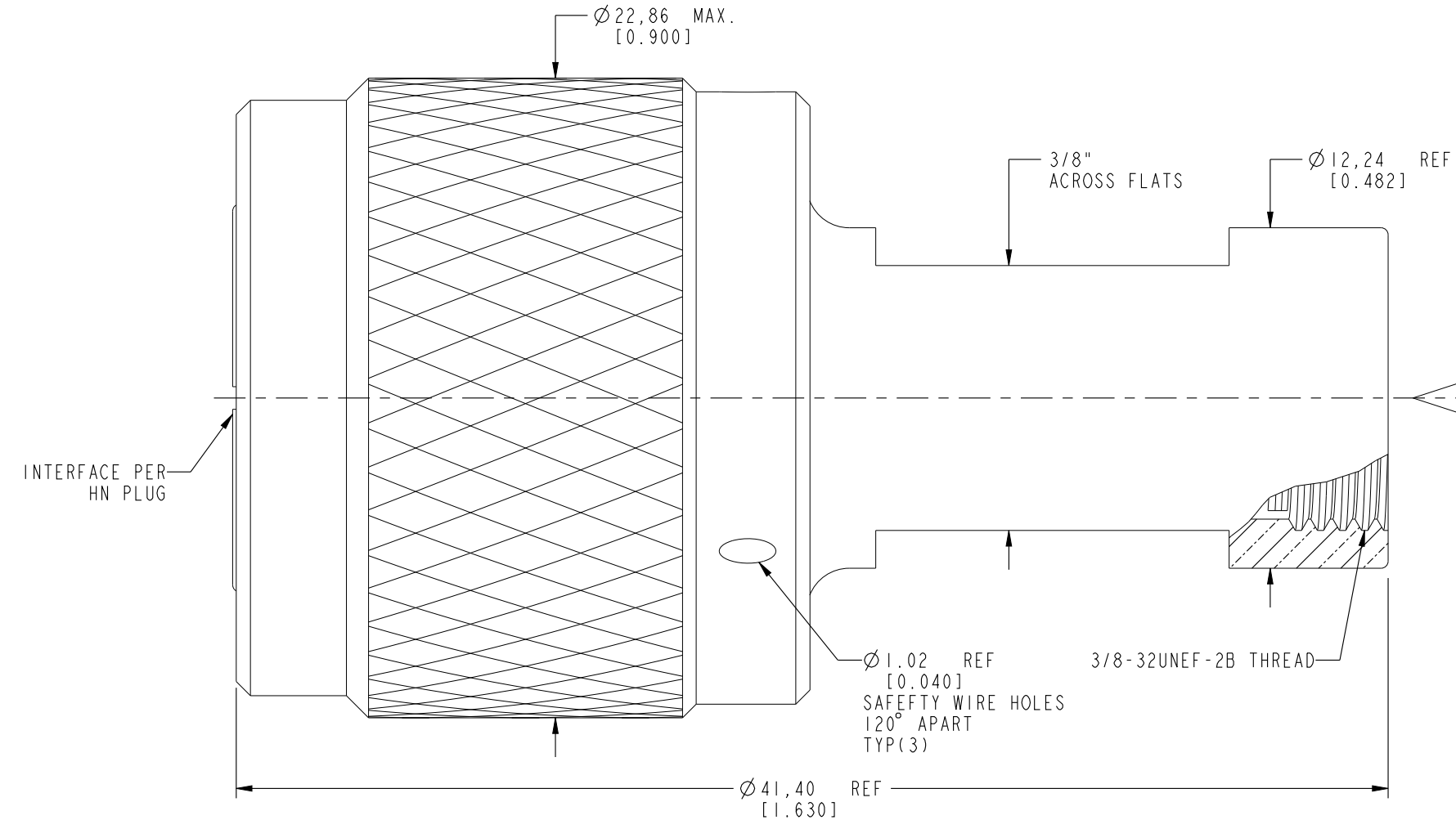
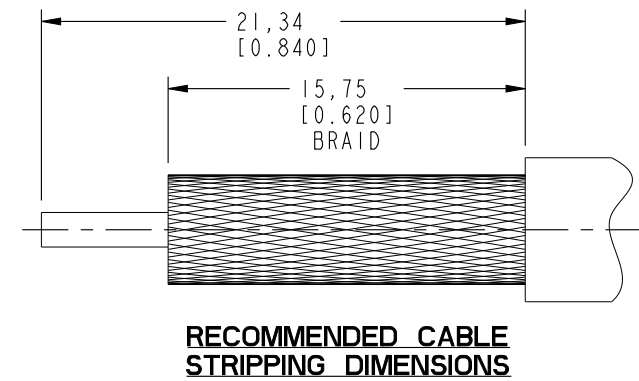
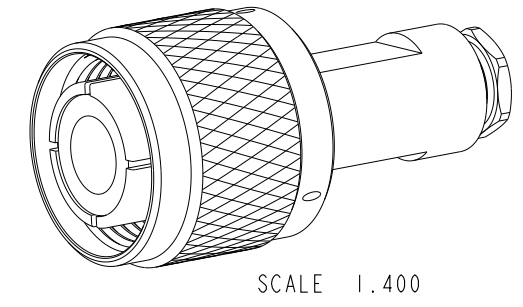
NOTES:

1. MATERIALS AND FINISHES:  
 BODY, CLAMP NUTS, WASHER,  
 CONTACT & COUPLING NUT - BRASS, SILVER PLATING  
 RETAINING RING - PHOSPHOR BRONZE  
 GASKET - SILICONE RUBBER, BLACK  
 GASKET - SYNTHETIC RUBBER, BLACK  
 INSULATOR - CROSS-LINKED COPOLYMER OF STYRENE, NATURAL
2. ELECTRICAL:  
 A. IMPEDANCE: 50 OHM
3. MECHANICAL:  
 A. DURABILITY: 500 CYCLES MIN.  
 B. TEMPERATURE RANGE: -65°C TO +165°C

4. PACKAGING:  
 A. QUANTITY: SINGLE PACK  
 B. MARKING: BAG TO BE MARKED  
 "AMPHENOL RF, 82-816-1000 AND DATE CODE"
  5. RECOMMENDED CABLE ASSEMBLY INSTRUCTIONS:  
 A. TRIM CABLE AS SHOWN.  
 B. SOLDER CABLE CENTER CONDUCTOR TO CONTACT.  
 C. CENTER CONDUCTOR TO BE BENT DOUBLE PRIOR TO SOLDERING CONTACT.  
 D. SLIDE CLAMP NUT, GASKET, WASHER & CLAMP NUT OVER THE CABLE.  
 E. SLIDE SUB-ASSEMBLY TO THE REAR SIDE OF THE BODY AND TIGHTEN WITH SPANNER.
  6. RECOMMENDED CLAMP NUT TORQUE: 35-40 IN-LBS.
- 7 SHOWS CABLE ENTRY DIMENSIONS.

THIRD ANGLE PROJ.

REVISIONS				
REV	DESCRIPTION	DATE	ECN	APPR
--	RELEASE TO MFG.	--	--	--
H	INSULATOR MATERIAL PTFE WAS ERROR	25-Oct-16	2241	VK
J	GASKETS COLOR BLACK WAS RED	07-Mar-19	10784	VR



**CUSTOMER OUTLINE DRAWING**  
 ALL OTHER SHEETS ARE FOR INTERNAL USE ONLY

UNLESS OTHERWISE SPECIFIED, DIMENSIONS ARE IN METRIC AND TOLERANCES ARE: <0.5mm ±0.05mm    0.5 - 6mm ±0.1mm    6 - 30mm ±0.2mm    30 - 120mm ±0.3mm    ANGLES ±1°	MATERIAL	DRAWN	DATE	TITLE		Amphenol RF www.amphenolrf.com
	SEE NOTES	A. ARUN PRABU	12-Nov-14	HN STR PLUG FOR RG 54/U CABLE		
NOTICE - These drawings, specifications, or other data (1) are, and remain the property of Amphenol corp. (2) must be returned upon request; and (3) are confidential and not to be disclosed to any person other than those to whom they are given by Amphenol Corp. the furnishing of these drawings, specifications, or other data by Amphenol Corp., or to any other person to anyone for any purpose is not to be regarded by implication or otherwise in any manner licensing, granting rights to permitting such holder or any other person to manufacture, use or sell any product, process or design, patented or otherwise, that may in any way be related to or disclosed by said drawings, specifications, or other data.	REFERENCE	ENGINEER	DATE	SCALE: 4.5:1.0 SHEET 2 OF 2		DRAWING NO. 82-816-1000
	EAR# AND DOR 25-21241	D. CRITELLI	07-Jan-81	DWG SIZE B		ITEM NO. 82-816-1000
	REF:	APPROVED	DATE	REV J		PART NO. 82-816-1000
	CONFIGURATION LEVEL: In Work	K. CAPOZZI	07-Mar-19	CAD FILE		
FINISH						