

THIS DOCUMENT IS SUBJECT TO CHANGE WITHOUT NOTICE. IT IS CONFIDENTIAL AND A PROPERTY OF Amphenol LTW. DISCLOSURE TO THIRD PARTY HAS TO BE AUTHORIZED BY Amphenol LTW.

| REV. | ECN NO. | DATE | SIGN | DESCRIPTION |
|------|---------|------------|-------|-------------|
| B | C190346 | 2019/03/05 | Vicky | Change Note |
| | | | | |

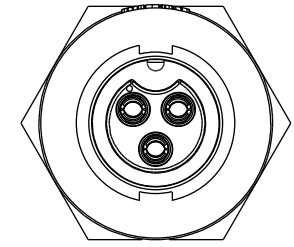
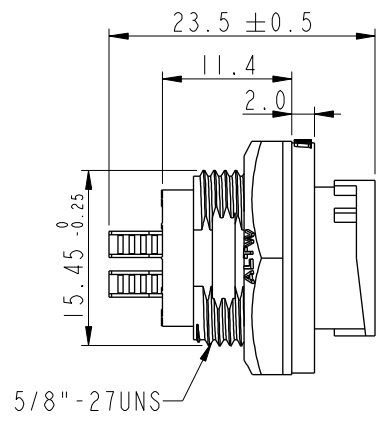
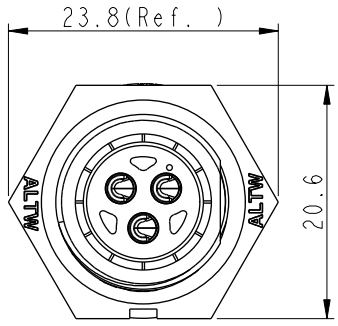
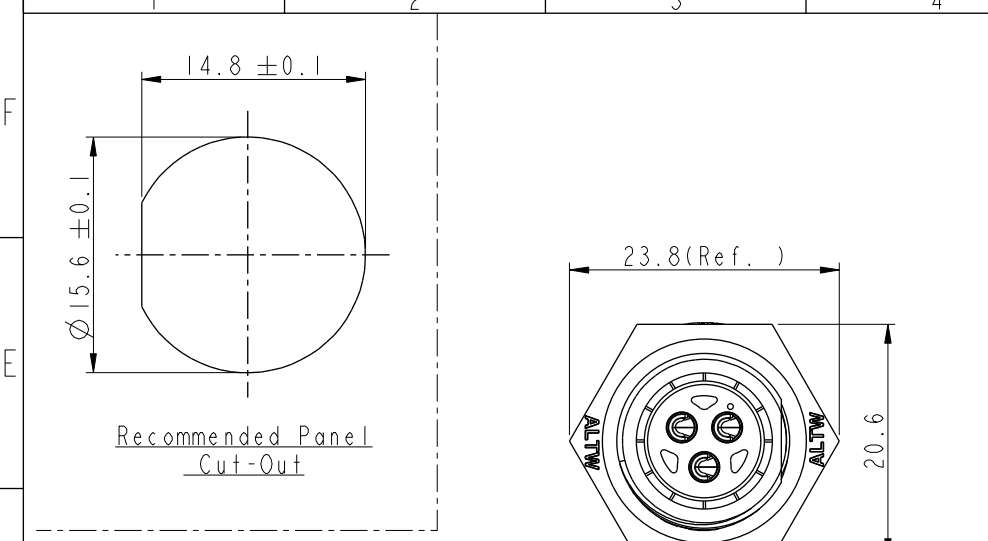
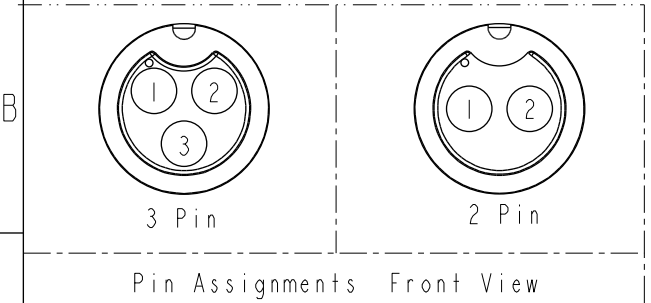
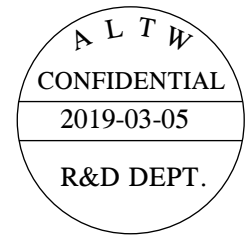
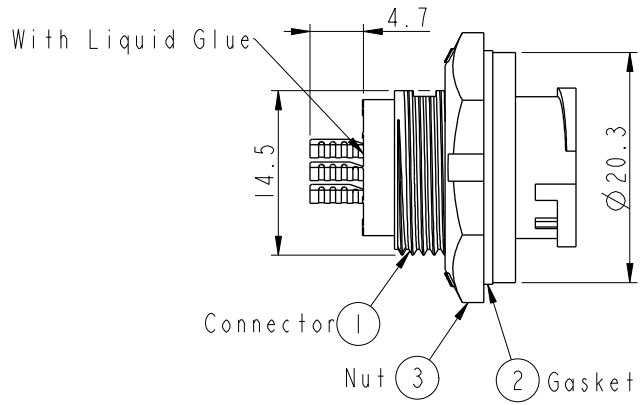


ABB-XXRMFS-LC7001
 02: 2Pin
 03: 3Pin



- Note:**
- * CC Important Dimension To Check.
 - * Waterproof Rate: IP67, Unmated.
 - * Housing: Thermoplastic, Black.
 - * Pin: Copper Alloy, Gold Plated.
 - * Gasket: Rubber, Gray.
 - * Nut: Thermoplastic, Black.
 - * Maximum Panel Thickness: 3.5mm
 - * Gasket and Nut are packed separately in PE bags. (Gasket/Nut不組裝, 散裝出貨)

| | | | | |
|------------|--|--|---------|-------------------------------|
| UNIT: mm | | TITLE STANDARD PANEL LOCK M CONN F PIN | | |
| TOLERANCE | | SCALE | SIZE | SHEET |
| .X ±0.25 | | 2:1 | A4 | 1 OF 1 |
| .XX ±0.1 | | REV. | WC-REV. | |
| .XXX ±0.05 | | B | A.1 | CC : Inspection item |
| ANGLES ±1° | | | | |

Amphenol LTW
 安費諾亮泰企業股份有限公司

| | | |
|-------------------|-------------|------------|
| ITEM NO. | DRAWN BY | DATE |
| | Vicky | 2019-03-05 |
| DWG NO. | CHECKED BY | DATE |
| ABB-XXRMFS-LC7001 | Rita | 2019-03-05 |
| CUSTOMER | APPROVED BY | DATE |
| ALTW | Max | 2019-03-05 |