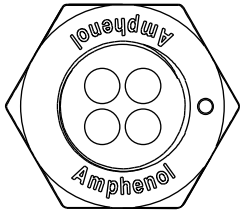


THIS DOCUMENT IS SUBJECT TO CHANGE WITHOUT NOTICE. IT IS CONFIDENTIAL AND A PROPERTY OF Amphenol LTW. DISCLOSURE TO THIRD PARTY HAS TO BE AUTHORIZED BY Amphenol LTW.

REV.	ECN NO.	DATE	SIGN	DESCRIPTION
A	Initial Release	2015/09/07	Cary	Change Rev. 01 to Rev.A
B	LE317A0020	2017/10/15	Feng_Li	Update The Note
C	CI91643	2019/09/20	Vicky	Update Wire Tolerance

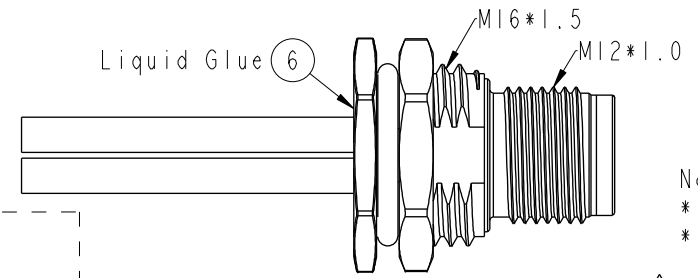
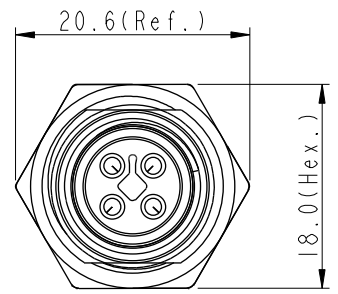
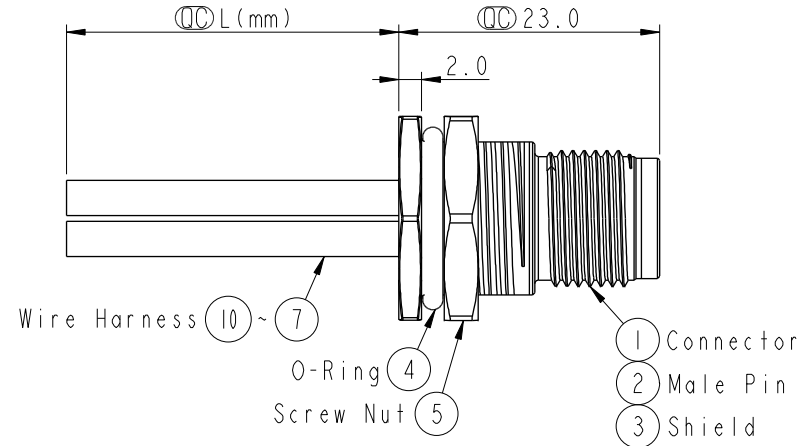
ALTW
CONFIDENTIAL
 2019-09-20
R&D DEPT.



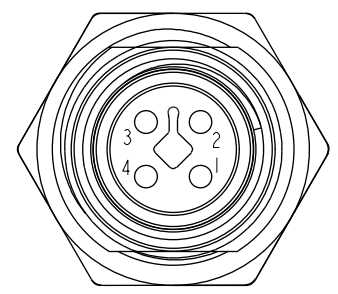
MI2T-04PMMS-SF8CXX/C

15: 150mm
 20: 200mm
 ↓
 95: 950mm
 Cable Pitch Unit: 50mm

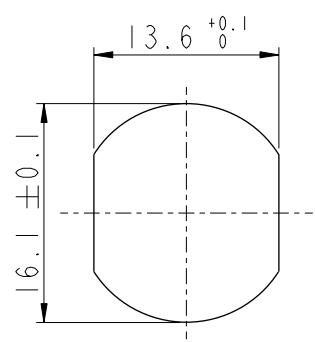
 A0: 1000mm
 ↓
 A5: 1500mm
 Cable Pitch Unit: 100mm
 Wire Length(L): 150~1500mm



- Note:
- * ⌀ Important Dimension.
 - * Waterproof Rate: IP68.
 - IP68: 1M Depth Of Water In 24hours.
 - \triangle * Housing: Nylon+GF, UL94V-0, Black.
 - * Male Pin: Copper Alloy, Gold Plated.
 - * Shield: Zinc Alloy, Nickel Plated.
 - * Panel Nut: Zinc Alloy, Nickel Plated.
 - * O-Ring: Viton, Black.
 - * Wire Harness: UL1015 16AWG (1.5mm²).
 - * Rated Voltage: 60V DC.
 - * Rated Current at 40°C: 12A
 - * Operation Temperature: -40~85°C.
 - * For Panel Thickness Max 4.5mm.
 - * Nut Torque: 4-6 Kgf.cm (0.4~0.6N.m).
 - * Wire harness Tolerance: 150~300 ±15mm
301~1000 ±20mm
 \triangle Over 1000 +50/-0mm



Pin Assignment
Front View



Recommended
Panel Cut-Out

4	Black	黑
3	Blue	藍
2	White	白
1	Brown	棕
Conn.	Wire Color	Pin Out

UNIT: mm 	TITLE MI2 T-Code 4Pin Male Type			Amphenol LTW 安費諾亮泰企業股份有限公司		ITEM NO MI2T-04PMMS-SF8CXX	DRAWN BY Vicky	DATE 2019-09-20
	TOLERANCE .X ±0.25 .XX ±0.1 .XXX ±0.05 ANGLES ±1°	SCALE 1:1	SIZE A4			SHEET 1 OF 1	DWG NO MI2T-04PMMS-SF8CXX	CHECKED BY Rita
	REV. C	WC-REV. A.2	⌀ : Inspection item	CUSTOMER ALTW	APPROVED BY Max	DATE 2019-09-20		