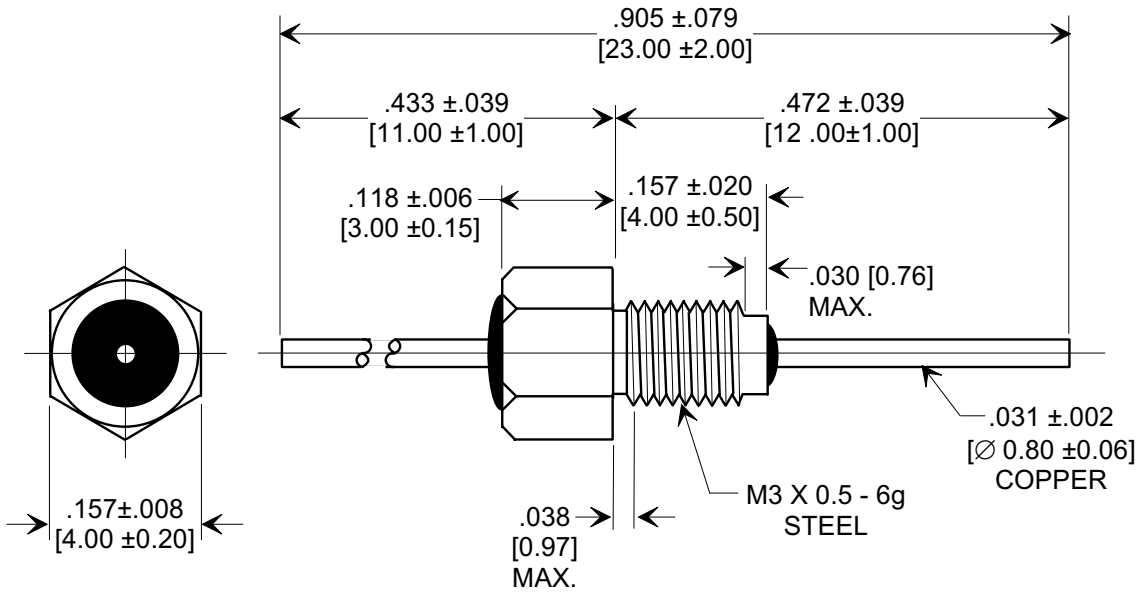
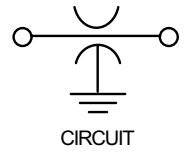
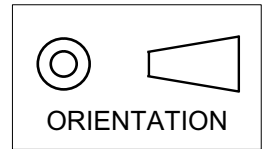
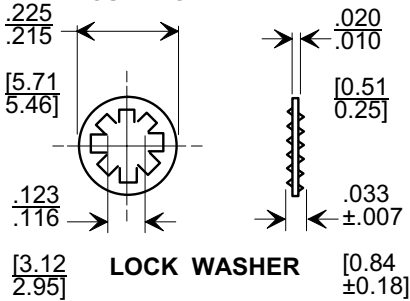


**MARKETING SALES DRAWING**  
**DIMENSIONS IN INCHES - DO NOT SCALE THIS DRAWING**  
**DIMENSIONS IN METRIC [ ]**

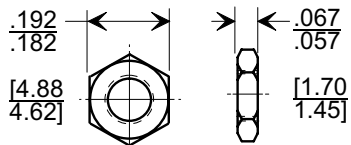
Electrical Testing  
per Tusonix standard  
test plans and Mil-Std-202  
Test Methods.



**MOUNTING HARDWARE**



**LOCK WASHER**



**HEX NUT**

**NOTES:**

- TUSONIX STANDARD PART NUMBER: 4400-097.  
TUSONIX RoHS COMPLIANT PART NUMBER: 4400-097 LF.  
CUSTOMER MUST SPECIFY STANDARD OR RoHS PART NUMBER WHEN ORDERING.
- MATERIAL: BUSHING; SILVER PLATED. LEAD; SILVER PLATED.
- PART MARKING: TRADEMARK AND VARIATION NUMBER ON HEX FLATS. STANDARD PART: BLACK INK. RoHS PART: GREEN INK.
- OPERATING TEMP. RANGE: -55°C TO +125°C.
- MAX. RECOMMENDED SOLDERING TEMPERATURE : 260° C.
- SUPPLIED WITH SILVER PLATED INTERNAL TOOTH LOCK WASHER.
- MAX. RECOMMENDED MOUNTING TORQUE : 2.0 Lb. in. [.226 Nm.]

| CAP.(pf) | TOLERANCE | DC WORKING VOLTAGE |        | DC CURRENT (AMPS) | I.R. MIN. @ 100 (VDC) | DWV (VDC) | MIN. NO LOAD INSERTION LOSS (db) @ 25°C PER MIL-STD-220 |        |         |       |        |
|----------|-----------|--------------------|--------|-------------------|-----------------------|-----------|---|--------|---------|-------|--------|
|          |           | 85°C               | 125 °C |                   |                       |           | 1 MHz   | 10 MHz | 100 MHz | 1 GHz | 10 GHz |
| 2700     | GMV       | 150                | 100    | 10                | 10 G Ω                | 250       | ---   | 10     | 25      | 40    | 50     |

|  |           |                                   |   |  |  |
|--|-----------|-----------------------------------|---|--|--|
| <b>REVISION RECORD</b><br>Original Release<br>C.O. <b>20000104-1-07</b><br>ORIENTATION SYMBOL ADDED<br>DWV (VDC) 500 DELETED<br>L.E. 04-14-00<br><b>20000410-2-06</b><br>ADDED IR & DWV, REVISED &<br>ADDED NOTES. S.M. 12-01-05<br><b>20051128-1-17</b> | <b>0</b>  | <b>TUSONIX</b><br>TUCSON, ARIZONA | <b>--TOLERANCES--</b><br>Unless Otherwise Specified | Title<br><b>BUSHING STYLE EMI FILTER</b> |  |
|  | DECIMAL ± |                                   | Drawn S.M. 01-07-00<br>Scale 5 X                    |  |  |
|  | ANGLES ±  |                                   | Approved J.Mc. 01-07-00                             |  |  |
|  | <b>A</b>  |                                   | <b>4400-097</b>                                     |  |  |