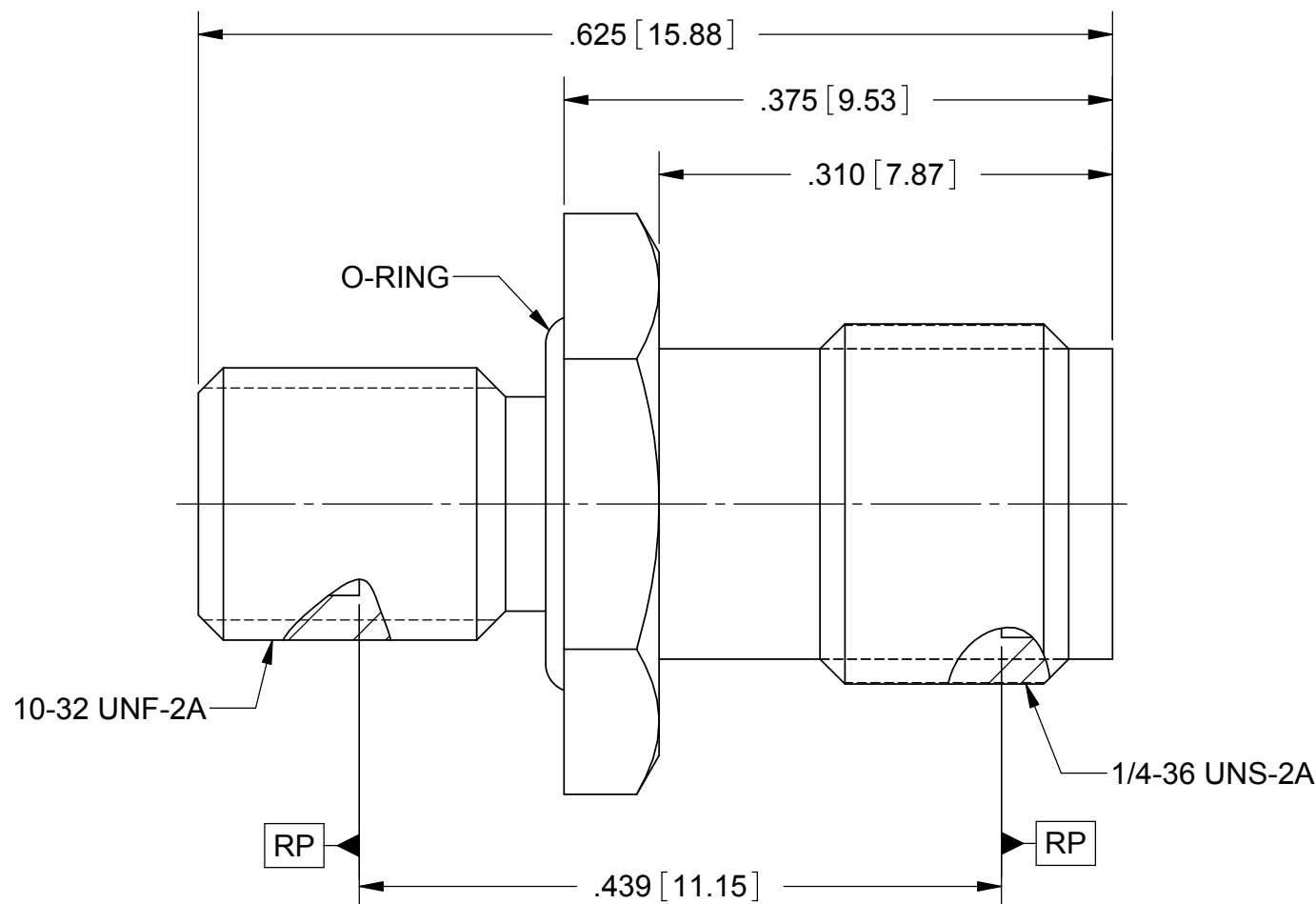
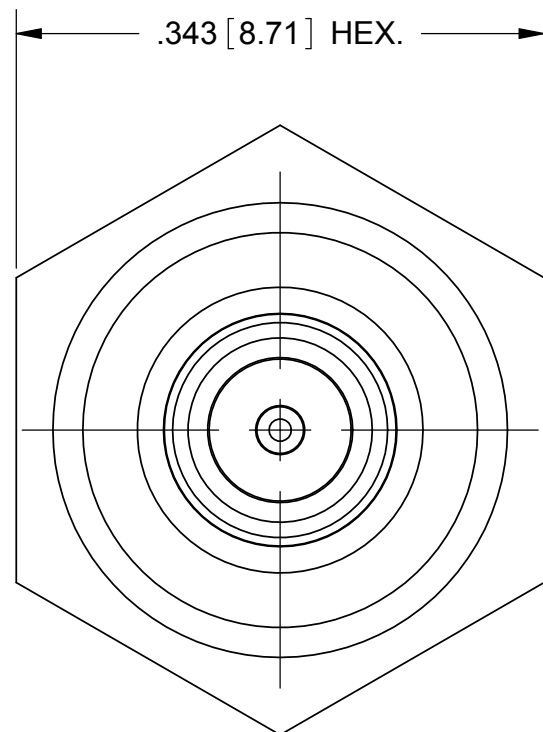


# PRODUCT DATA DRAWING

REVISION HISTORY			
REV	DESCRIPTION	DATE	APPROVED
-	DCN 36549	03/09	STW
A	DCN 37905	11/10	STW
B	REV. DCN 46488	05/26/17	DS



**MATERIAL:**

**BODY:** STAINLESS STEEL PER AMS-5640, ALLOY UNS S30300, TYPE 1 OR ASTM A582, TYPE 303, CONDITION A.

**CONTACT:** BERYLLIUM COPPER PER ASTM B196, ALLOY No. UNS C17300, TD04.

**INSULATOR:** PTFE PER ASTM D1710, TYPE I, GRADE 1, CLASS B.

**O-RING:** SILICONE RUBBER PER A-A-59588, CLASS 2B, GRADE 50/60.

**FINISH:**

**BODY:** PASSIVATED PER AMS 2700.

**CONTACT:** GOLD PER ASTM B488, TYPE II, CODE C, CLASS 1.27, OVER NICKEL PER AMS-QQ-N-290, CLASS 1, .00005" MIN.

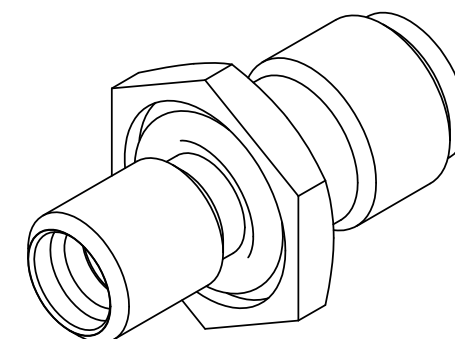
**PERFORMANCE:**

**IMPEDANCE:** 50 OHMS

**FREQ. RANGE:** DC TO 18.0 GHz

**VSWR:** 1.20:1 DC TO 10 GHz, 1.30 10 GHz TO 18 GHz.

**INS. LOSS:** .12 X  $\sqrt{F}$  (F IN GHz)



MATERIAL: SEE NOTES	DIMENSIONS ARE IN INCHES TOLERANCES: FRACTIONAL: ±1/64 ANGULAR: X° ±1'0" X'X' ±15'	UNLESS OTHERWISE SPECIFIED 1) ALL DIMENSIONS ARE IN INCHES (MILLIMETERS) 2) ALL DIMENSIONS ARE AFTER PLATING. 3) BREAK CORNERS & EDGES .005 R. MAX. 4) CHAM. 1ST & LAST THREADS. 5) SURFACE ROUGHNESS 63-MIL-STD-10. 6) DIA.'S ON COMMON CENTERS TO BE CONCENTRIC WITHIN .005 T.I.R. 7) REMOVE ALL BURRS	<b>SV Microwave, Inc.</b> 2400 Centrepark West Drive, Suite 100 West Palm Beach, FL 33409 TITLE: SMP LIMITED DETENT MALE TO SMA FEMALE PANEL MOUNT ADAPTER SIZE: B CAGE CODE: 95077 DWG. NO.: SF1112-6034 SCALE: 8:1
FINISH: SEE NOTES	DECIMAL: X ±.030 .XX ±.010 .XXX ±.005	INTERPRET DIMENSIONS AND TOLERANCES PER ASME Y14.5M - 1994	
SURFACE AREA: N/A	THIRD ANGLE PROJECTION	DRAWN: DAL 03/06/09	SHEET 1 OF 1
PROPRIETARY THE INFORMATION CONTAINED IN THIS DRAWING IS THE SOLE PROPERTY OF SV MICROWAVE, INC. ANY REPRODUCTION IN PART OR AS A WHOLE WITHOUT THE WRITTEN PERMISSION OF SV MICROWAVE, INC IS PROHIBITED.		CHECKED: STW 03/06/09 APPROVED: STW 03/06/09	