

EC centrifugal fan

backward-curved, single-intake

ebm-papst Mulfingen GmbH & Co. KG

Bachmühle 2 · D-74673 Mulfingen

Phone +49 7938 81-0

Fax +49 7938 81-110

info1@de.ebmpapst.com

www.ebmpapst.com

Limited partnership · Headquarters Mulfingen

Amtsgericht (court of registration) Stuttgart · HRA 590344

General partner Elektrobau Mulfingen GmbH · Headquarters Mulfingen

Amtsgericht (court of registration) Stuttgart · HRB 590142

Nominal data

Type	R1G120-AD13-02	
Motor	M1G045-BE	
Nominal voltage	VDC	24
Nominal voltage range	VDC	16 .. 28
Method of obtaining data		fa
Speed (rpm)	min ⁻¹	4060
Power consumption	W	26
Current draw	A	1.2
Min. ambient temperature	°C	-25
Max. ambient temperature	°C	50

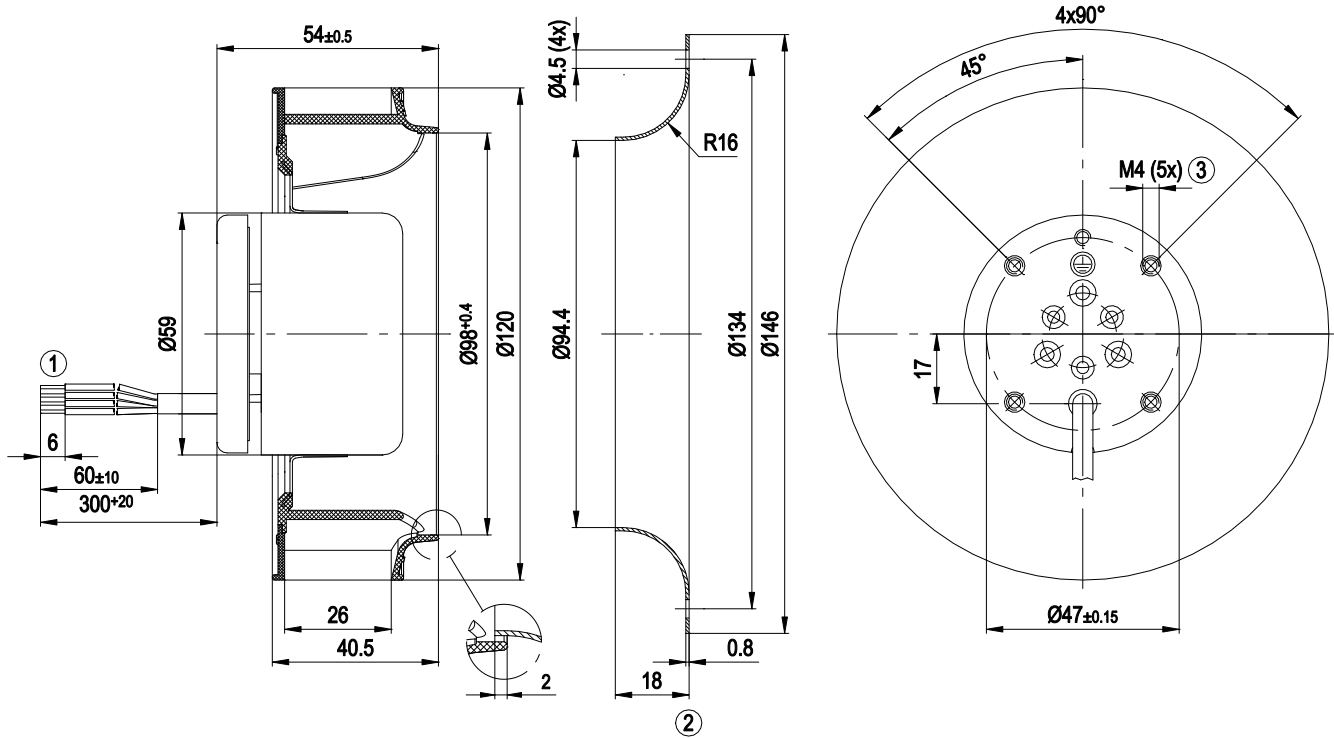
ml = Max. load · me = Max. efficiency · fa = Free air · cs = Customer specification · ce = Customer equipment
Subject to change



Technical description

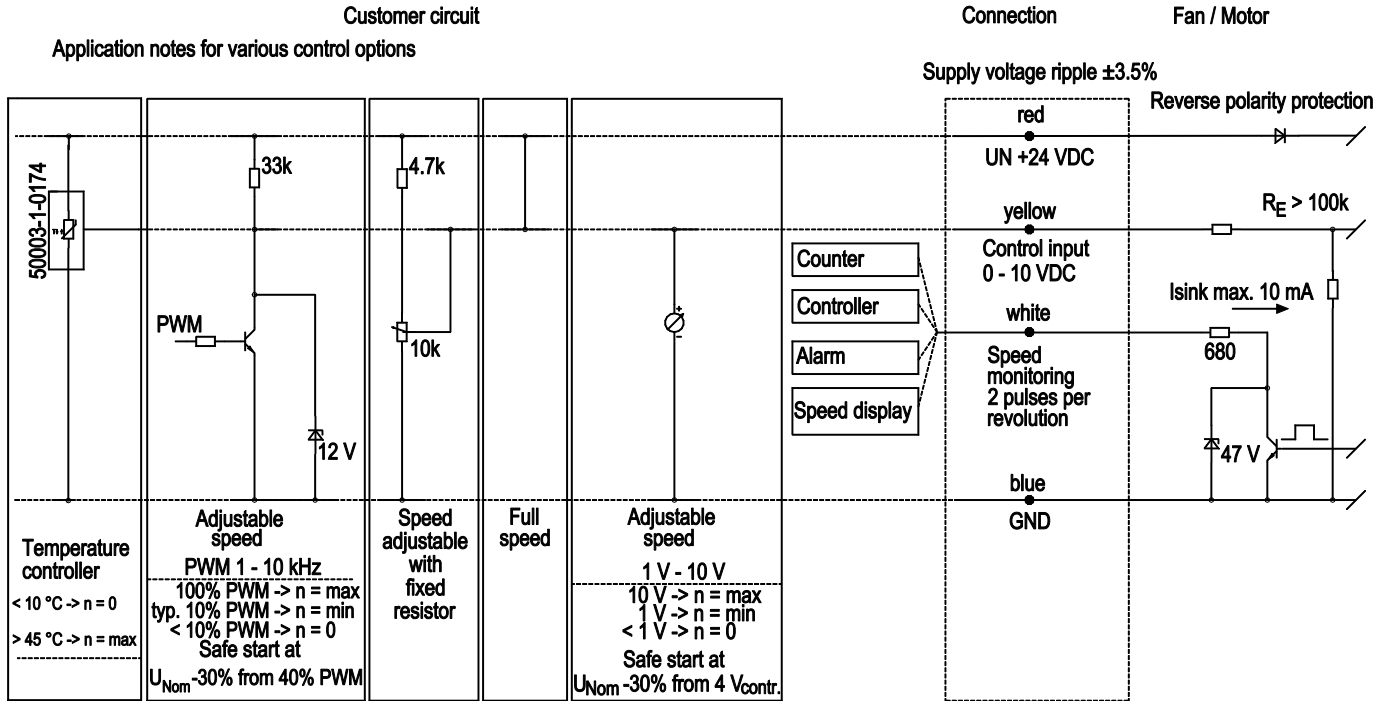
Weight	0.5 kg
Size	120 mm
Motor size	45
Rotor surface	Galvanized
Impeller material	PA66 plastic, glass-fiber reinforced
Number of blades	9
Direction of rotation	Clockwise, viewed toward rotor
Degree of protection	IP20
Insulation class	"B"
Moisture (F) / Environmental (H) protection class	H0 - dry environment
Max. permitted ambient temp. for motor (transport/storage)	+80 °C
Min. permitted ambient temp. for motor (transport/storage)	-40 °C
Installation position	Any
Condensation drainage holes	None
Mode	S1
Motor mounting	Ball bearing
Technical features	- Tach output - Soft start - Control input 0-10 VDC / PWM
Motor protection	Reverse polarity and locked-rotor protection
With cable	Axial
Conformity with standards	EN 60950-1
Approval	EAC

Product drawing

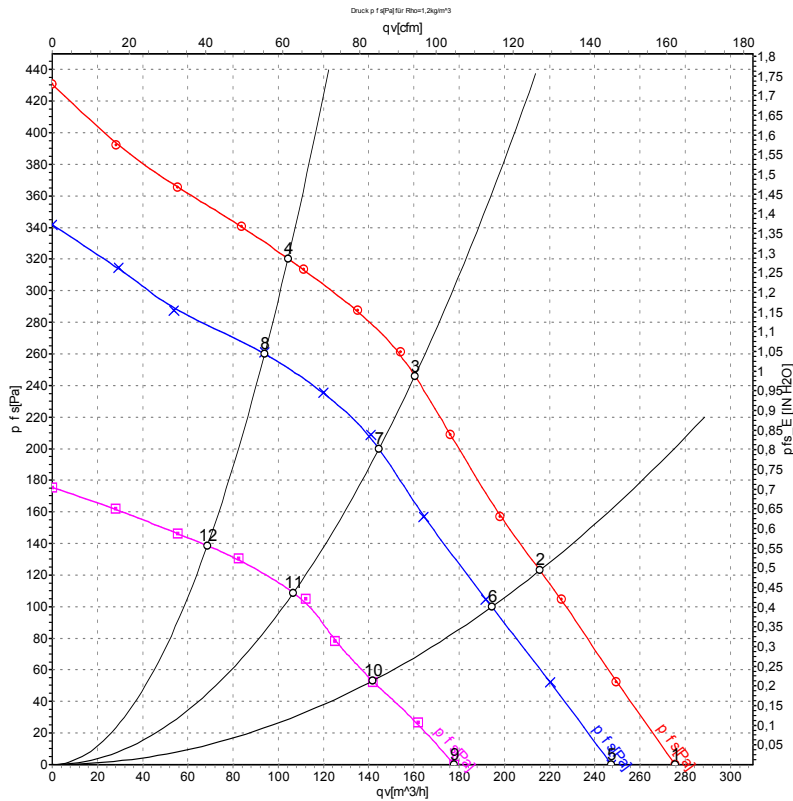


1	Cable PVC AWG22, 4x crimped splices
2	Accessory part: inlet ring 96120-2-4013 not included in scope of delivery
3	Max. clearance for screw 4 mm

Connection diagram



Curves: Air performance



Measurement: LU-57724-1
 Measurement: LU-57723-1
 Measurement: LU-57725-1

Air performance measured according to ISO 5801 installation category A. For detailed information on the measurement setup, contact ebm-papst. Intake sound level: Sound power level according to ISO 13347 / sound pressure level measured at 1 m distance from fan axis. The values given are valid under the specified measuring conditions and may vary due to conditions of installation. For deviations from the standard configuration, the parameters have to be checked on the installed unit.

Measured values

	U	n	P _{ed}	I	q _v	p _{fs}	q _v	p _{fs}
	V	min ⁻¹	W	A	m ³ /h	Pa	cfm	in. wg
1	28	4525	38	1.51	275	0	160	0.00
2	28	4510	38	1.52	215	123	125	0.49
3	28	4605	37	1.46	160	246	95	0.99
4	28	4780	34	1.35	105	320	60	1.28
5	24	4060	26	1.20	245	0	145	0.00
6	24	4055	28	1.30	195	100	115	0.40
7	24	4140	27	1.24	145	200	85	0.80
8	24	4275	25	1.15	95	260	55	1.04
9	16	2975	12	0.82	180	0	105	0.00
10	16	2965	12	0.83	140	52	85	0.21
11	16	3010	11	0.80	105	110	65	0.44
12	16	3095	10	0.74	70	139	40	0.56

U = Power supply · n = Speed (rpm) · P_{ed} = Power consumption · I = Current draw · q_v = Air flow · p_{fs} = Pressure increase

