

Series Part Numbers

Connector Code	Description	P / N
-XX-		
AM	SMA Plug	T321AM-GDP
AH	SMA Plug Reverse Polarity	T321AH-GDP

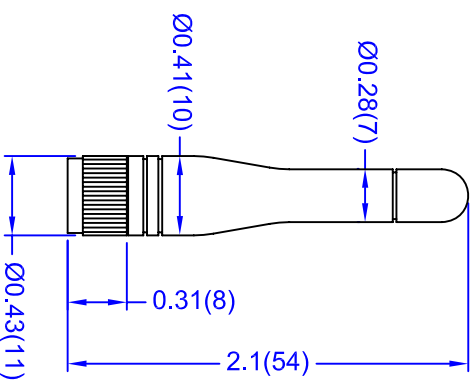
Electrical Properties:

Frequency Range: 890~960MHz(GSM)
 1710~1880MHz(DCS)
 1850~1990MHz(PCS)
Impedance: 50Ω nominal
V/SWR: <2.0:1
Gain: 0 dBi
Radiation: Omni
Polarization: Vertical
Wave: 1/4 Wave Helix

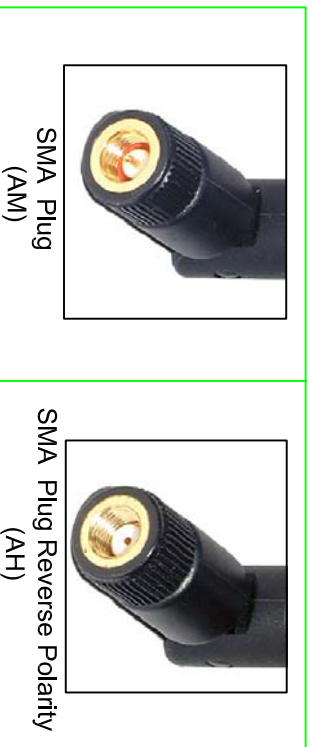
Mechanical Properties:

Connector: SMA type
Material: Polyurethane(Black)
Whip: Brass with black chrome plating
Connector: Brass with black chrome plating
Operation Temp.: -20°C to +65°C
Storage Temp.: -30°C to +75°C

This is a RoHS compliant product.



Connector Interface



TITLE	GSM/DCS/PCS Tri Band Antenna-321 Model	Rev. Date	SHEET
UNIT	DWG. NO. T321XX-GDP	04/27/06	1 of 1
in.(mm)			
SCALE			
none			

NEARSON