

Features

- Input Voltage Range: 2.5~6V
- Output Voltage Range: 3.0~17V ($\pm 2.5\%$)
- PWM/PFM Switching Control
- Oscillator Frequency: 300KHz ($\pm 20\%$)
- High Efficiency: 91% (Typ.)
- Stand-by Current: $I_{STB1} = \mu A$ (Typ.)
- Built-in internal N-Channel MOS
- Lead Free Package: SOP-8L
- SOP-8L: Available in "Green" Molding Compound (No Br, Sb)
- Lead Free Finish/ RoHS Compliant (Note 1)

General Description

The AP1609 is a high efficient step-up DC/DC converter. Large output current is possible having a built in internal N channel MOSFET, and using an external coil and diode.

Output voltage is programmable with 1.23V of standard voltage supply internal, and using externally connected components, output voltage (FB) can be set up at will.

With a 300KHz switching frequency, the size of the external components can be reduced. Control switches from PFM to PWM during light loads with the AP1609 (PWM/PFM switchable) and the series are highly efficient from light loads to large output currents.

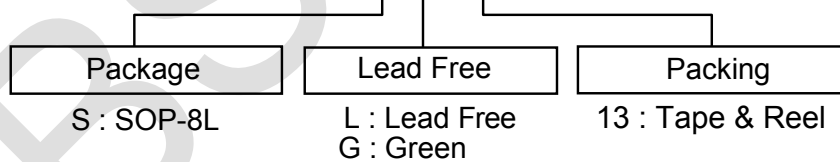
During stand-by time (CE pin "Low"), current consumption is reduced to 1 μA .

Applications

- Electronic Information Organizers
- Palmtops
- Cellular and Portable Phones
- Portable Audio Systems
- Various Multi-Function Power Supplies

Ordering Information

AP 1609 S X - 13

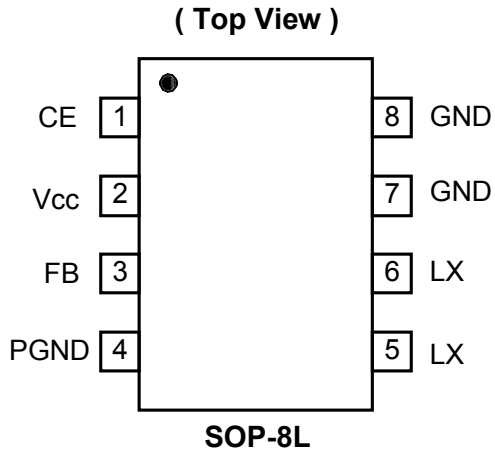


Device	Package Code	Packaging (Note 2)	13" Tape and Reel	
			Quantity	Part Number Suffix
AP1609SL-13	S	SOP-8L	2500/Tape & Reel	-13
AP1609SG-13	S	SOP-8L	2500/Tape & Reel	-13



- Notes:
1. EU Directive 2002/95/EC (RoHS). All applicable RoHS exemptions applied. Please visit our website at http://www.diodes.com/products/lead_free.html.
 2. Pad layout as shown on Diodes Inc. suggested pad layout document AP02001, which can be found on our website at <http://www.diodes.com/datasheets/ap02001.pdf>.

Pin Assignments

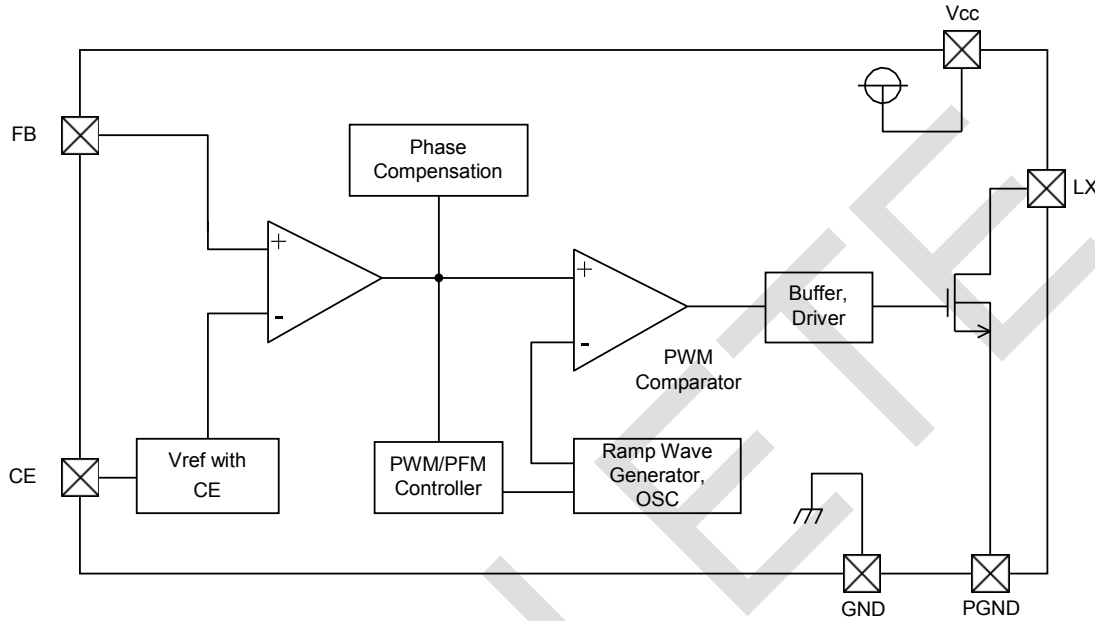


Pin Descriptions

Pin Name	Pin Number	Description
CE	1	Chip Enable: H: Enable L: Disable
Vcc	2	IC signal power supply pin
FB	3	Feedback pin
PGND	4	Power MOSFET GND
LX	5, 6	Switch Pin. Connect external inductor/diode here. Minimize trace area at this pin to reduce EMI.
GND	7, 8	GND Pin

OBSOLETE – PART DISCONTINUED

Block Diagram



Absolute Maximum Ratings

Symbol	Parameter	Ratings	Units
V_{CC}	V_{IN} Pin Voltage	-0.3 ~ 7	V
V_{FB}	FB Pin Voltage	-0.3 ~ $V_{CC} + 0.3$	V
V_{CE}	CE Pin Voltage	-0.3 ~ $V_{CC} + 0.3$	V
V_{SW}	Switch Voltage (LX to GND)	-0.3 ~ 18	V
I_{LX}	Switch Current	-3 ~ 0.2	A
P_D	Continuous Total Power Dissipation	1200	mW
T_{OPR}	Operating Ambient Temperature	-20 ~ +80	°C
T_{STG}	Storage Temperature	-20 ~ +125	°C

OBSOLETE – PART DISCONTINUED

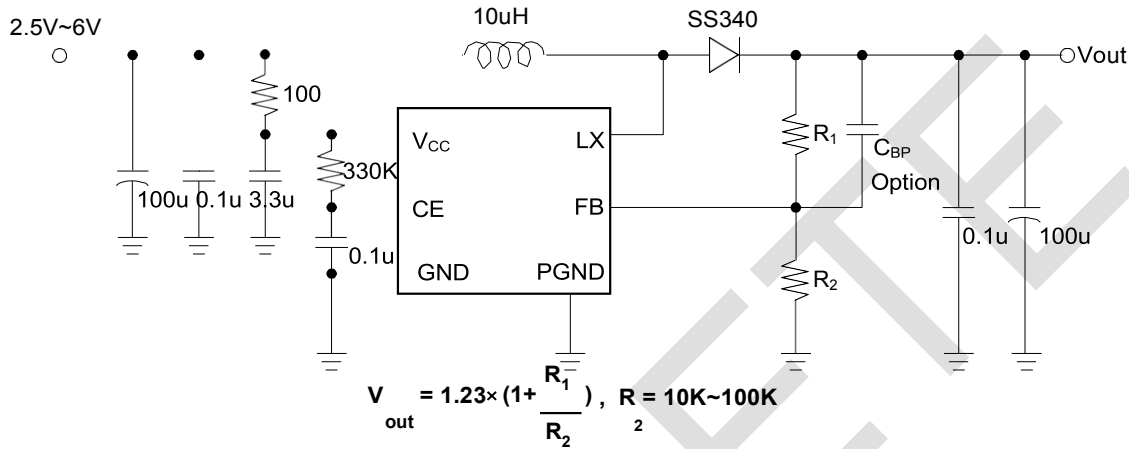
Electrical Characteristics

 AP1609 ($F_{OSC} = 300\text{kHz}$, $V_{OUT} = 5\text{V}$) $T_A = 25^\circ\text{C}$

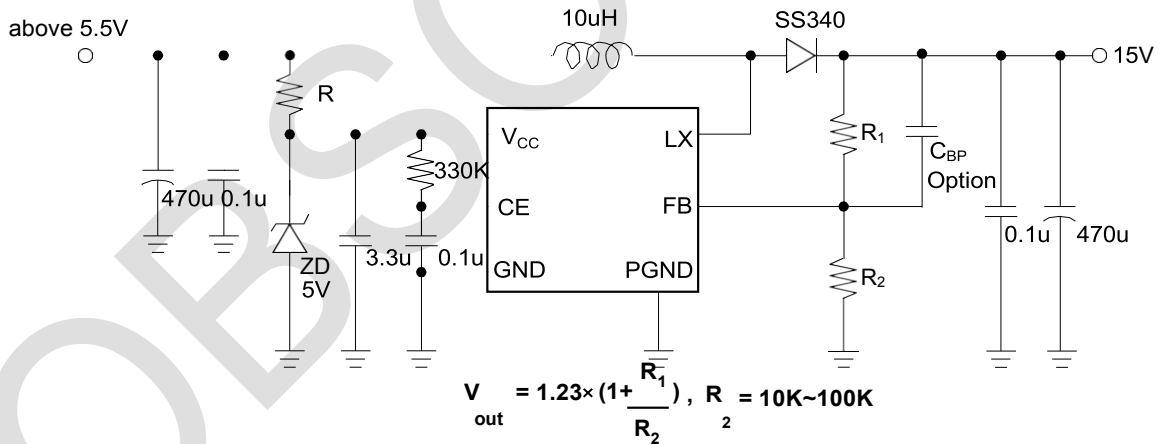
Symbol	Parameter	Conditions	Min	Typ.	Max	Units
V_{FB}	FB Voltage		1.20	1.23	1.26	V
V_{CC}	Input Voltage		2.5	-	6	V
V_{OUT}	Output Voltage		3.0	-	17	V
I_{OUT}	Maximum Switching Output Current		2.4	-	-	A
$R_{DS(ON)}$	Drain-Source On-State Resistance	$I_D = 2.4\text{A}$	-	100	-	m Ω
I_{CCQ}	Quiescent Current	No Load, FB = 2V, CE = High	-	80	130	μA
I_{SD}	Shutdown Current	No Load, CE = Low	-	1	-	μA
Fosc	Oscillator Frequency	Measuring of EXT Waveform, $V_{IN} = \text{Output Voltage} + 0.3\text{V}$	240	300	360	kHz
MAXDTY	Maximum Duty Ratio		80	-	-	%
PFMDTY	PFM Duty Ratio	No Load	15	25	35	%
V_{CEH}	CE "High" Voltage	No External Components, $V_{FB} = 0\text{V}$, Apply $0.65V_{CC}$ (min.) to CE, Chip Enable	0.65	-	-	$*V_{CC}$
V_{CEL}	CE "Low" Voltage	Same as V_{CEH} , Chip Disable	-	-	0.20	$*V_{CC}$
EFFI	Efficiency		-	91	-	%

Typical Application Circuit

(1) Normal Circuit



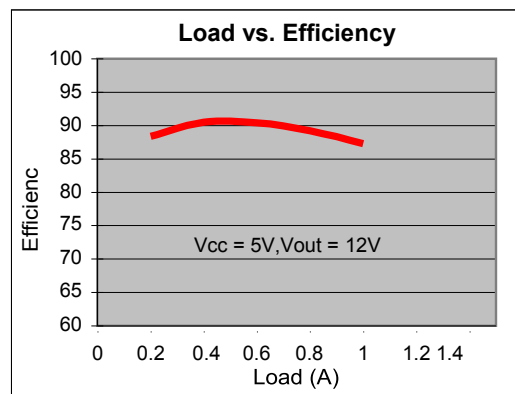
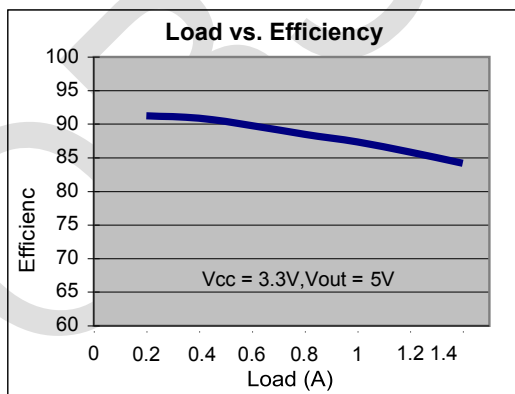
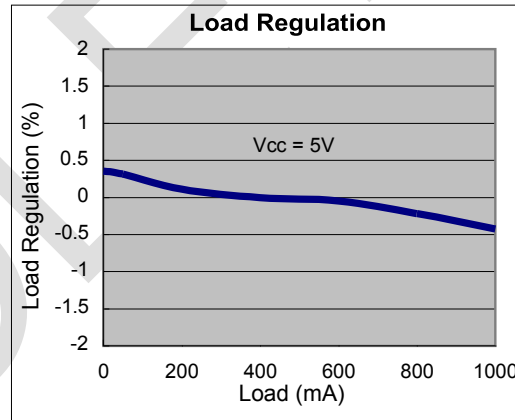
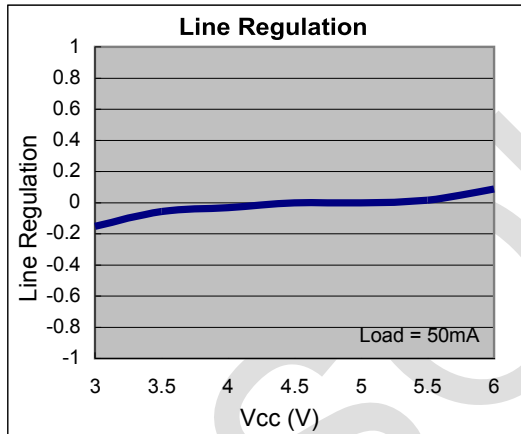
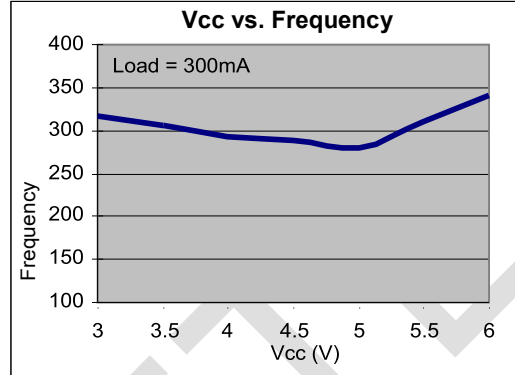
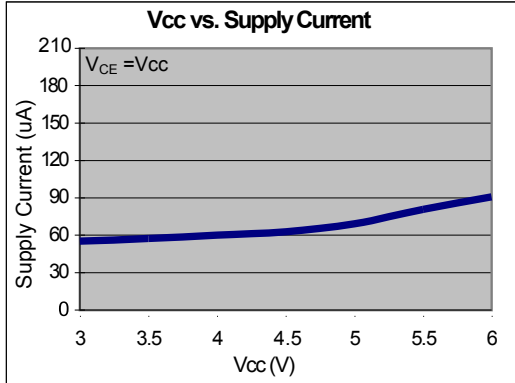
(2) HV Circuit



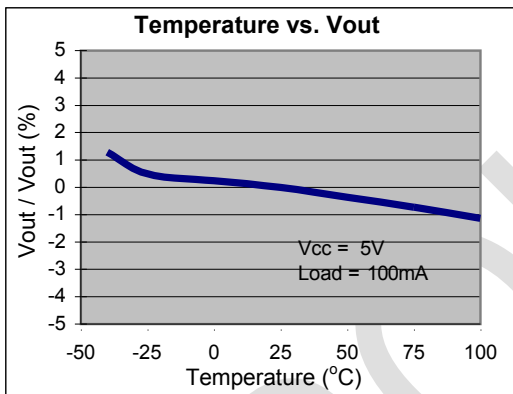
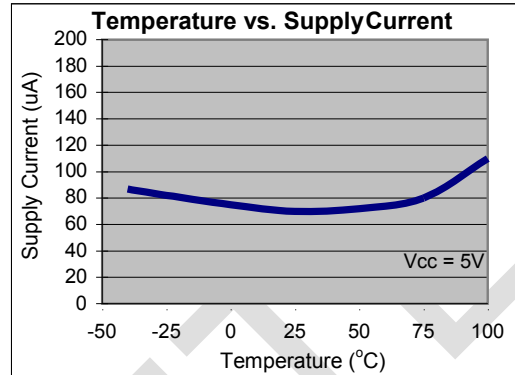
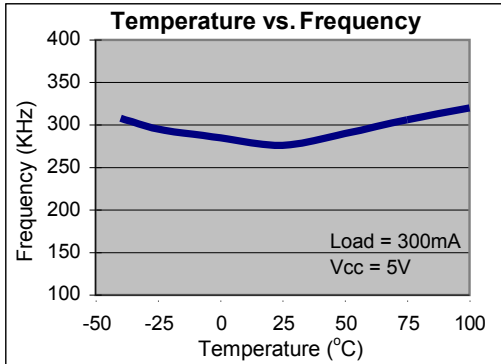
OBSOLETE - PART DISCONTINUED

Typical Performance Characteristics

OBSOLETE – PART DISCONTINUED



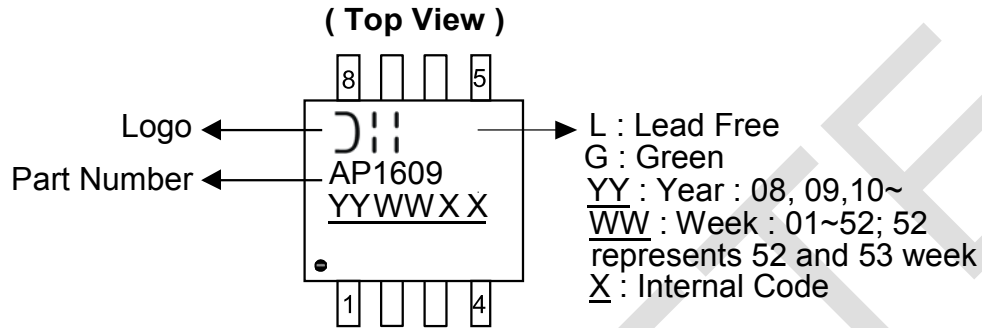
Typical Performance Characteristics (Continued)



OBSOLETE - PART DISCONTINUED

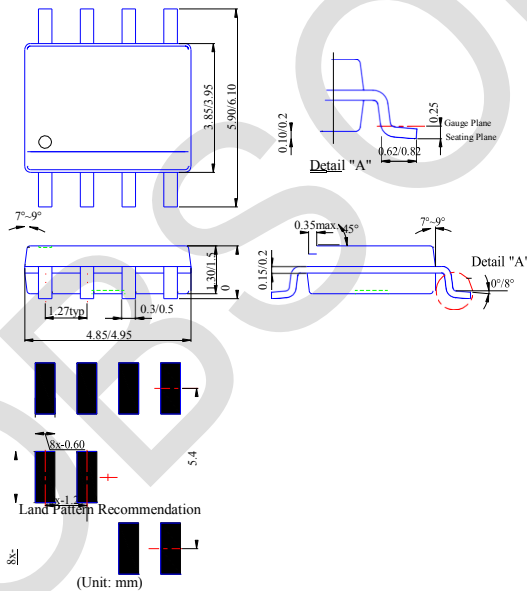
Marking Information

(1) SOP-8L



Package Information (All Dimensions in mm)

(1) Package Type: SOP-8L



OBSOLETE - PART DISCONTINUED

IMPORTANT NOTICE

1. DIODES INCORPORATED AND ITS SUBSIDIARIES (“DIODES”) MAKE NO WARRANTY OF ANY KIND, EXPRESS OR IMPLIED, WITH REGARDS TO ANY INFORMATION CONTAINED IN THIS DOCUMENT, INCLUDING, BUT NOT LIMITED TO, THE IMPLIED WARRANTIES OF MERCHANTABILITY, FITNESS FOR A PARTICULAR PURPOSE OR NON-INFRINGEMENT OF THIRD PARTY INTELLECTUAL PROPERTY RIGHTS (AND THEIR EQUIVALENTS UNDER THE LAWS OF ANY JURISDICTION).
2. The Information contained herein is for informational purpose only and is provided only to illustrate the operation of Diodes products described herein and application examples. Diodes does not assume any liability arising out of the application or use of this document or any product described herein. This document is intended for skilled and technically trained engineering customers and users who design with Diodes products. Diodes products may be used to facilitate safety-related applications; however, in all instances customers and users are responsible for (a) selecting the appropriate Diodes products for their applications, (b) evaluating the suitability of the Diodes products for their intended applications, (c) ensuring their applications, which incorporate Diodes products, comply the applicable legal and regulatory requirements as well as safety and functional-safety related standards, and (d) ensuring they design with appropriate safeguards (including testing, validation, quality control techniques, redundancy, malfunction prevention, and appropriate treatment for aging degradation) to minimize the risks associated with their applications.
3. Diodes assumes no liability for any application-related information, support, assistance or feedback that may be provided by Diodes from time to time. Any customer or user of this document or products described herein will assume all risks and liabilities associated with such use, and will hold Diodes and all companies whose products are represented herein or on Diodes’ websites, harmless against all damages and liabilities.
4. Products described herein may be covered by one or more United States, international or foreign patents and pending patent applications. Product names and markings noted herein may also be covered by one or more United States, international or foreign trademarks and trademark applications. Diodes does not convey any license under any of its intellectual property rights or the rights of any third parties (including third parties whose products and services may be described in this document or on Diodes’ website) under this document.
5. Diodes products are provided subject to Diodes’ Standard Terms and Conditions of Sale (<https://www.diodes.com/about/company/terms-and-conditions/terms-and-conditions-of-sales/>) or other applicable terms. This document does not alter or expand the applicable warranties provided by Diodes. Diodes does not warrant or accept any liability whatsoever in respect of any products purchased through unauthorized sales channel.
6. Diodes products and technology may not be used for or incorporated into any products or systems whose manufacture, use or sale is prohibited under any applicable laws and regulations. Should customers or users use Diodes products in contravention of any applicable laws or regulations, or for any unintended or unauthorized application, customers and users will (a) be solely responsible for any damages, losses or penalties arising in connection therewith or as a result thereof, and (b) indemnify and hold Diodes and its representatives and agents harmless against any and all claims, damages, expenses, and attorney fees arising out of, directly or indirectly, any claim relating to any noncompliance with the applicable laws and regulations, as well as any unintended or unauthorized application.
7. While efforts have been made to ensure the information contained in this document is accurate, complete and current, it may contain technical inaccuracies, omissions and typographical errors. Diodes does not warrant that information contained in this document is error-free and Diodes is under no obligation to update or otherwise correct this information. Notwithstanding the foregoing, Diodes reserves the right to make modifications, enhancements, improvements, corrections or other changes without further notice to this document and any product described herein. This document is written in English but may be translated into multiple languages for reference. Only the English version of this document is the final and determinative format released by Diodes.
8. Any unauthorized copying, modification, distribution, transmission, display or other use of this document (or any portion hereof) is prohibited. Diodes assumes no responsibility for any losses incurred by the customers or users or any third parties arising from any such unauthorized use.

Copyright © 2021 Diodes Incorporated

www.diodes.com