

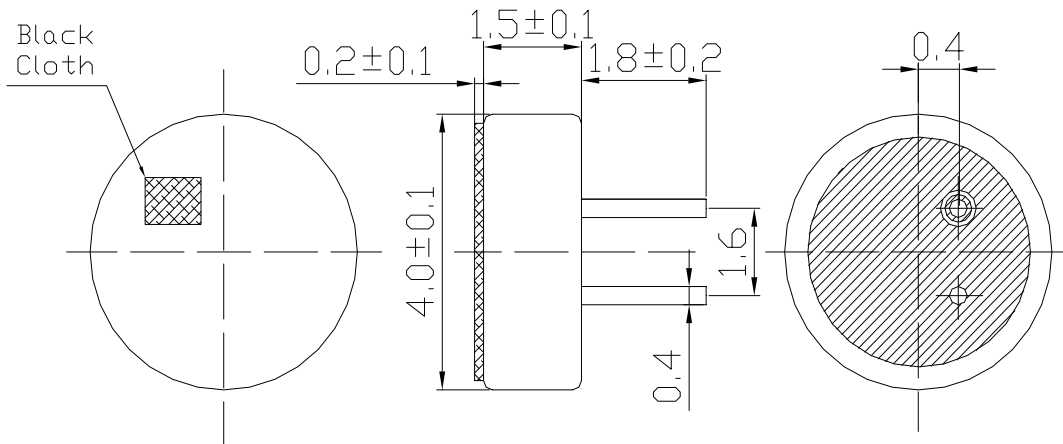
**Sales Outline Drawing**

**Specifications:**

Sensitivity Range	-42 ± 2 dB $R_L = 2.2\text{ k}\Omega$ $V_{cc} = 3.0\text{v}$ (1 kHz 0 dB = 1 v/Pa)
Impedance	Max. 2.2k $\Omega$ 1 kHz ( $R_L = 2.2\text{ k}\Omega$ )
Frequency	50 - 12000 Hz
Current Consumption	Max 0.5 mA
Operating Voltage Range	1.0 – 10 V
Max SPL (dB)	110 dB
S/N Ration	More than 58 dB
Sensitivity Reduction	3.0 – 2.0V Variation less than 3 dB
Storage Condition	-25 ~ +70°C; R.H. < 45 ~ 75%
Operating Condition	-25 ~ +70°C; R.H. < 85%
Weight (g)	0.1
Options	For other options contact factory

**Dimensions:** (units: mm)

**ROHS Compliant**



**Schematic Diagram:**

