

## MultiConnect<sup>®</sup> OCG-D

Open Communications Gateways - Device



The MultiConnect<sup>®</sup> OCG-D open communications gateways with CoreCDP<sup>®</sup> comprise an open Linux development environment and a fully certified hardware offering that includes multiple interfaces and internal peripherals in one application-ready end user solution. Applications that require device networking capability can now be embedded directly onto select MultiTech hardware, providing a flexible, quick and cost-effective way to bring your solution to market.

### DEVELOPMENT HARDWARE

- Application-ready hardware platform
- Includes GPS and cellular modem
- Multiple interfaces available (serial, USB, Ethernet)
- 36-pin GPIO interface
- FCC, IC, UL, PTCRB and R&TTE certified

### CORECDP SOFTWARE

- Custom Linux distribution
- Provides complete Linux build environment
- Cross-compile thousands of open source software packages
- Create custom applications in a short period of time

### SUPPORT

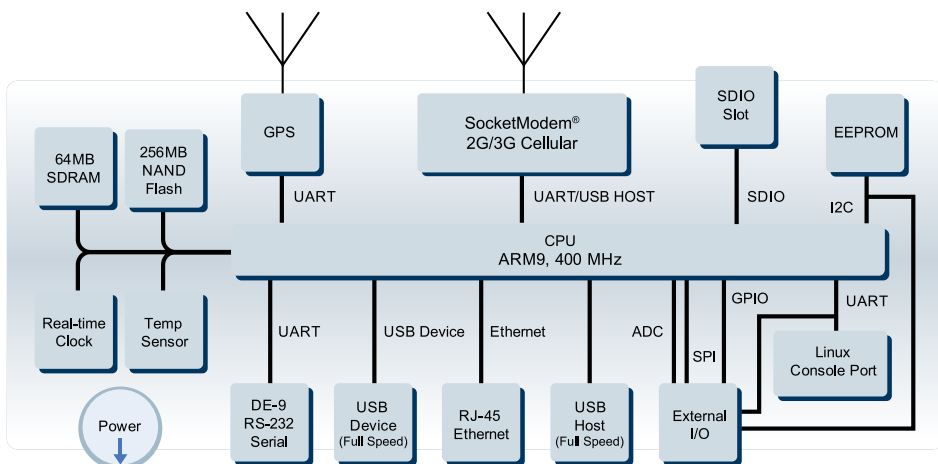
- Advanced developer support available
- Established developer community available at [www.multitech.net](http://www.multitech.net)
- Two-year warranty

### DEPLOYMENT MODELS

- Non-cellular, cellular-only and cellular/GPS models available
- Standard and customized deployment models available
- FCC, IC, UL, PTCRB and R&TTE certified

### BENEFITS

- Linux-based open source software
- Proven hardware for the development and deployment of custom applications
- Cost-effective alternative to custom manufacturing
- Comprehensive service and developer support



## SPECIFICATIONS

Model	MTCDP-H5	MTCDP-EV3	MTCDP-E1	MTCDP-G2
Performance	HSPA+	EV-DO CDMA2000 1xRTT	<b>EDGE:</b> E-GPRS Class 12 <b>GPRS:</b> Class 10	GPRS Class 10
Frequency Bands (MHz)	<b>Hepta-band:</b> 800/850/900/AWS 1700/1900/2100 <b>Triple-band:</b> 2100/1900/850 with Rx diversity	<b>Dual-band:</b> 800/1900 CDMA; Up to 3.1 Mbps downlink/Up to 1.8Mbps uplink	<b>Quad-band:</b> GSM/ GPRS/EDGE 850/900/1800/1900	<b>Quad-band:</b> GSM 850/900/1800/1900
<b>Environmental†</b>				
Operating Temperature*	-22° to +140° F (-30° to +60° C)*	-40° to +167° F (-40° to +75° C)*	-31° to +167° F (-35° to +75° C)*	-40° to +185° F (-40° to +85° C)*
	* UL Listed @ 104° F (40° C), limited by power supply. UL Certification does not apply or extend to an ambient above 104° F (40° C) and has not been evaluated by UL for ambient greater than 104° F (40° C).			
Storage Temperature	-40° to +185° F (-40° to +85° C)			
Humidity	20% to 90% RH, noncondensing			
<b>Physical Description</b>				
Dimensions (L x W x H)	2.8" x 7.0" x 1.2" (7.1 cm x 17.8 cm x 3.0 cm)			
Weight	11.5 oz (326 g)			
<b>Certifications</b>				
EMC Compliance†	FCC Class B, EN55022, EN55024	FCC Class B	FCC Class B, EN55022, EN55024	
Radio Compliance	FCC Part 22, 24, RSS132, 133, EN301 489-1, EN489-3 (-GP only), EN301 489-7, EN301 511, AS/ACIF S042.1, S042.3	FCC Part 22, 24, RSS132, 133	FCC Part 22, 24, RSS132,133, EN301 489-1, EN489-3 (-GP only), EN301 489-7, EN301 511, AS/ACIF S042.1, S042.3	
Safety†	UL60950-1, cUL60950-1, IEC60950-1	UL60950-1, cUL60950-1, IEC60950-1	UL60950-1, cUL60950-1, IEC60950-1	UL60950-1, cUL60950-1, IEC60950-1, AS/NZS60950-1
Network	PTCRB	N/A	PTCRB	

† Specifications for non-cellular versions.

## CORECDP SOFTWARE SPECIFICATIONS

### (Version 2.3.3)

Linux Kernel 2.6.35.14

Utilizes OpenEmbedded framework

Tested with the following Linux OS: Ubuntu 10.04 to 12.10,  
Debian 6 and 7 openSUSE 11.4 - 12.2, Fedora Core 12 - 17,  
CentOS 6.5

Drivers to support all peripherals included on the platform  
hardware

Notable Software Versions: Python 2.6.6, JamVM 1.5.4 (Java),  
Perl 5.10.1, Ruby 1.9.3-p392, PHP 5.3.6

A complete list of software versions is available at  
[www.multitech.net](http://www.multitech.net)

Networking: PPP, iptables

Web Server: lighttpd

Remote shell: SSH

Database: sqlite3

Network file system: samba

Security: OpenSSL

Software Development Kit: MultiConnect SDK

## HARDWARE SPECIFICATIONS

### Processor & Memory

400 MHz ARM9 CPU 256MB NAND flash 64MB SDRAM	2GB industrial grade SD Flash Card (included w/ development models)
--	---

### Internal Peripherals

RTC (Real Time Clock) Dedicated GPS receiver Cellular modem	Debug 3 pin serial console port Temperature sensor
---	--

### Connections

LAN: RJ-45, 10/100BaseT RS-232 Data: DB-9 female, 921.6K bps max serial speed GSM/GPS Antenna: 50 ohm SMA female Power: 2.5mm miniature screw SIM: Standard 1.8V & 3V SIM receptacle (mini SIM)	USB Host: USB 2.0 Full Speed (12 Mbps) Host Connector USB Device: USB 2.0 Full Speed (12 Mbps) mini-B device connector GPIO: 36-pin Molex connection SD Memory Flash Card: SD memory card slot
--	---

### GPIO Functions:\*

Pins 1-9: General Purpose Input Pins 10-14: Analog Input Pins 15-24: General Purpose Output Pins 25-29: SPI	Pins 30-31: Debug Pin 32: GPS PPS Pins 33-34: I2C Pin 35: No Connect Pin 36: Ground (SPI, I2C, Serial)
--	---

\* For more specifications on GPIO functionality, visit [www.multitech.net](http://www.multitech.net)

### Interfaces

General Purpose LEDs: Power, Cellular Link Status, Ethernet Link, & Speed Programmable LEDs: 5 user-defined, application- specific LEDs	Short Message Services - SMS Text & PDU Point-to-Point (MO/MT)
---	---

### GPS

Position: 2.5 meters Acquisition: Hot start 1 second; cold start 29 seconds avg.	Sensitivity: Tracking -161 dBm Protocol: NMEA-0183 V3.01, GGA, GLL, GSA, GSV, RMC, VTG
---	--

### Power Requirements

Input Power: 9 to 32VDC

## HIGHLIGHTS

### Custom Application Development and Deployment

The MultiConnect OCG-D offers customers the opportunity to develop and deploy custom applications on the same product platform. Developer kits include all the hardware, cables and accessories required to develop unique applications. Once complete, deployment models are available for the sale and distribution of the solution within a proven and approved hardware platform.

### Linux-Based Open Source

The MultiConnect OCG-D uses the OpenEmbedded framework as the base to provide a custom Linux distribution, known as CoreCDP. This allows developers to cross-compile thousands of open source software packages and to create custom applications in a very short period of time. In many cases, existing applications can easily be run with little or no modification.

### Carrier Approved

All MultiConnect OCG-D developer kits and deployment models are PTCRB approved, relieving customers the burden and expense of obtaining these approvals independently. This also provides a faster time-to-market and improved return on investment.

### Multiple Interface Options

The MultiConnect OCG-D provides the broadest range of interface options, including serial, USB host, and Ethernet, giving customers seamless connectivity to their applications.

### GPIO

The 36-pin general purpose input/output connection, which includes SPI, I2C, serial, ADC, and GPS connections, provides multiple ways of interfacing with any application.

### Proof of Concept

Customers planning their own internal custom developments can use the MultiConnect OCG-D to create beta units and prototypes for use in voice of customer and proof of concept activities. These models can be generated quickly and with little additional expense. The input from these activities can improve the feature set of the customer's final product.

## ORDERING INFORMATION

### Developer Kits

Developer kits include: Modem with GPS receiver, universal power supply, GSM/GPS antenna, GPIO cable, serial debug cable, Ethernet cable, RS-232 cable, compact flash, USB cables, DVD, and screwdriver.

Product	Description	Region
MTCDP-H5-GP-DK-1.0	3G HSPA+ Developer Kit	Global
MTCDP-EV3-GP-N3-DK-1.0	3G EV-DO Developer Kit (Verizon Wireless)	US
MTCDP-EV3-GP-N16-DK-1.0	3G EV-DO Developer Kit (Aeris Communications)	US
MTCDP-E1-GP-DK-1.0	2.5G EDGE Developer Kit	Global
MTCDP-G2-GP-DK-1.0	2G GPRS Developer Kit	Global
MTCDP-GP-DK-1.0	Non-Cellular Developer Kit	Global

### Deployment Models (includes GPS receiver)\*

Deployment models are modem only. All accessories are sold separately.

Product	Description	Region
MTCDP-H5-GP-1.0	3G HSPA+ Deployment Model	Global
MTCDP-EV3-GP-N3-1.0	3G EV-DO Deployment Model (Verizon Wireless)	US
MTCDP-EV3-GP-N16-1.0	3G EV-DO Deployment Model (Aeris Communications)	US
MTCDP-E1-GP-1.0	2.5G EDGE Deployment Model	Global
MTCDP-G2-GP-1.0	2G GPRS Deployment Model	Global
MTCDP-GP-1.0	Non-Cellular Deployment Model	Global

### Deployment Models\*

Deployment models are modem only. All accessories are sold separately.

Product	Description	Region
MTCDP-H5-1.0	3G HSPA+ Deployment Model	Global
MTCDP-EV3-N3-1.0	3G EV-DO Deployment Model (Verizon Wireless)	US
MTCDP-EV3-N16-1.0	3G EV-DO Deployment Model (Aeris Communications)	US
MTCDP-E1-1.0	2.5G EDGE Deployment Model	Global
MTCDP-G2-1.0	2G GPRS Deployment Model	Global
MTCDP-1.0	Non-Cellular Deployment Model	Global

### ILS deviceWISE® Models

This OCG product variant comes ready to integrate directly with the deviceWISE Application Enablement Platform (AEP). The deviceWISE AEP provides seamless connectivity and integration across any remote device, any network and any enterprise application in the back office - without any programming. The do-it-yourself platform reduces the risk, time-to-market, complexity and cost of deploying solutions for remote monitoring and control, industrial automation, asset tracking and field service operations. See [www.devicewise.com](http://www.devicewise.com) for more information.

Product	Description	Region
MTCDP-H5-1.0-DW	3G HSPA+ deviceWISE Deployment Model	Global
MTCDP-H5-GP-1.0-DW	3G HSPA+ deviceWISE Deployment Model w/ GPS	Global
MTCDP-H5-GP-DK-1.0-DW	3G HSPA+ deviceWISE Developer Kit	Global
MTCDP-EV3-N3-1.0-DW	3G EV-DO deviceWISE Deployment Model (Verizon Wireless)	US
MTCDP-EV3-GP-N3-1.0-DW	3G EV-DO deviceWISE Deployment Model w/ GPS (Verizon Wireless)	USA
MTCDP-EV3-GP-N3-DK-1.0-DW	3G EV-DO deviceWISE Developer Kit (Verizon Wireless)	US

### Accessories

MTOCG-BOB-DK	GPIO Cable and Break-out Board
CA-CDP-GPIO	36-pin, General Purpose Input/Output Cable (open ended)
PS-9VCB-LBC-U-Global	100 - 240V 9V-1.7A changeable blade power supply with three interchangeable blades (U.S., Euro, UK)
ANGSM-GPS-IMM	GSM/GPS Combination Antenna, 9.8 feet (3 meters)
CA-CDP-DEBUG	3-Pin, Serial Debug Cable, 6 feet (1.8 meters)
CA9-9-D	RS-232 Cable, DB9F-DB9M, 6 feet (1.8 meters)
CA-RJ-45	RJ45 (CAT5E, 10/100 Mbps) Cable, 6 feet (1.8 meters)
CA-USB	USB A/B Cable, 4.9 feet (1.5 meters)
CA-USB-A-MINI-B	USB A-to-Mini-B Cable, 3.9 feet (1.2 meters)

\* Custom deployment options available. Contact your MultiTech representative for details.

Visit [www.multitech.com/solplat/celldev.go](http://www.multitech.com/solplat/celldev.go) for additional product offerings and information.

Produced in the U.S. of U.S. and non-U.S. components. Features and specifications are subject to change without notice.

**Trademarks and Registered Trademarks:** MultiTech and the MultiTech logo, MultiConnect: Multi-Tech Systems, Inc. All other products and technologies are the trademarks or registered trademarks of their respective holders.

03/15 • 86002159 • © 2015 by Multi-Tech Systems, Inc. All rights reserved.

## SERVICES & WARRANTY

MultiTech's comprehensive Support Services programs offer a full array of options to suit your specific needs. These services are aimed at protecting your investment, extending the life of your solution or product, and reducing total cost of ownership. Our seasoned technical experts, with an average tenure of more than 10 years, can walk you through smooth installations, troubleshoot issues and help you with configurations.

## INSTALLATION SUPPORT

MultiTech's Installation Support Service delivers priority service with the ability to work one-on-one with an experienced MultiTech technical support engineer, to guide you through the installation process for our products.

## TECHNICAL SUPPORT SERVICES

At MultiTech, we're committed to providing you personalized attention and quality service while providing you a quick response to your product support needs. We have several options of support for you to choose from.

For additional information on Support Services as well as other service offerings, please contact your MultiTech representative or visit [www.multitech.com/support.go](http://www.multitech.com/support.go)

### World Headquarters

Multi-Tech Systems, Inc.  
2205 Wooddale Drive  
Mounds View, MN 55112 U.S.A.  
Tel: 763-785-3500  
Toll-Free: 800-328-9717  
Email: [sales@multitech.com](mailto:sales@multitech.com)  
[www.multitech.com](http://www.multitech.com)

### EMEA Headquarters

Multi-Tech Systems (EMEA)  
Strata House  
264-270 Bath Road  
Harlington UB3 5JJ  
United Kingdom  
Tel: +(44) 118 959 7774  
Email: [sales@multitech.co.uk](mailto:sales@multitech.co.uk)  
[www.multitech.co.uk](http://www.multitech.co.uk)

**MULTITECH** 