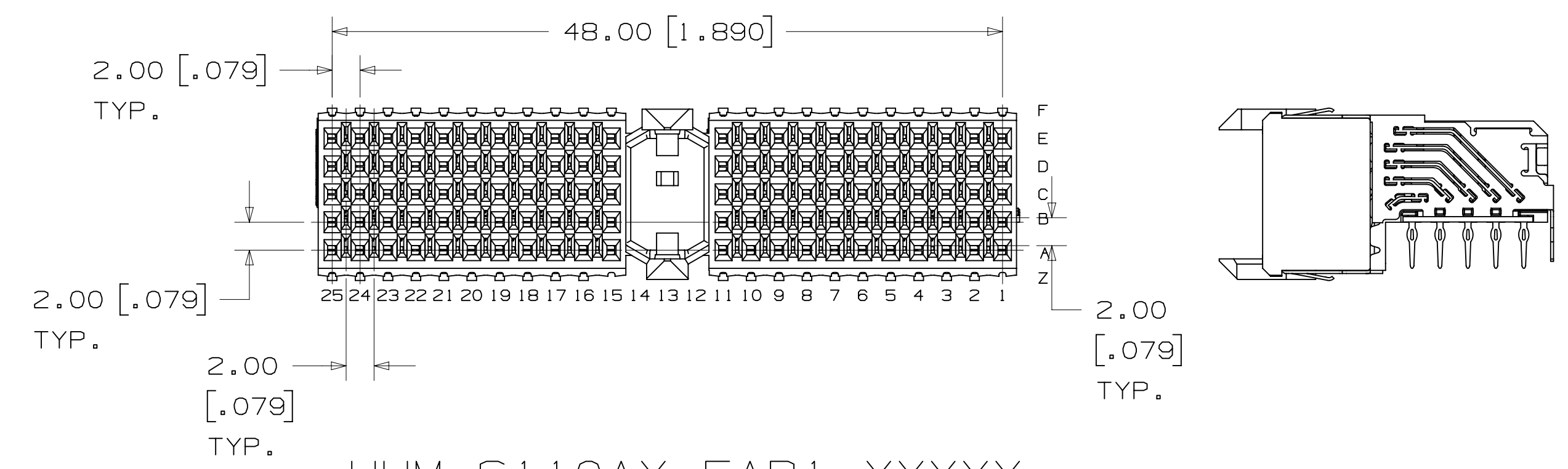
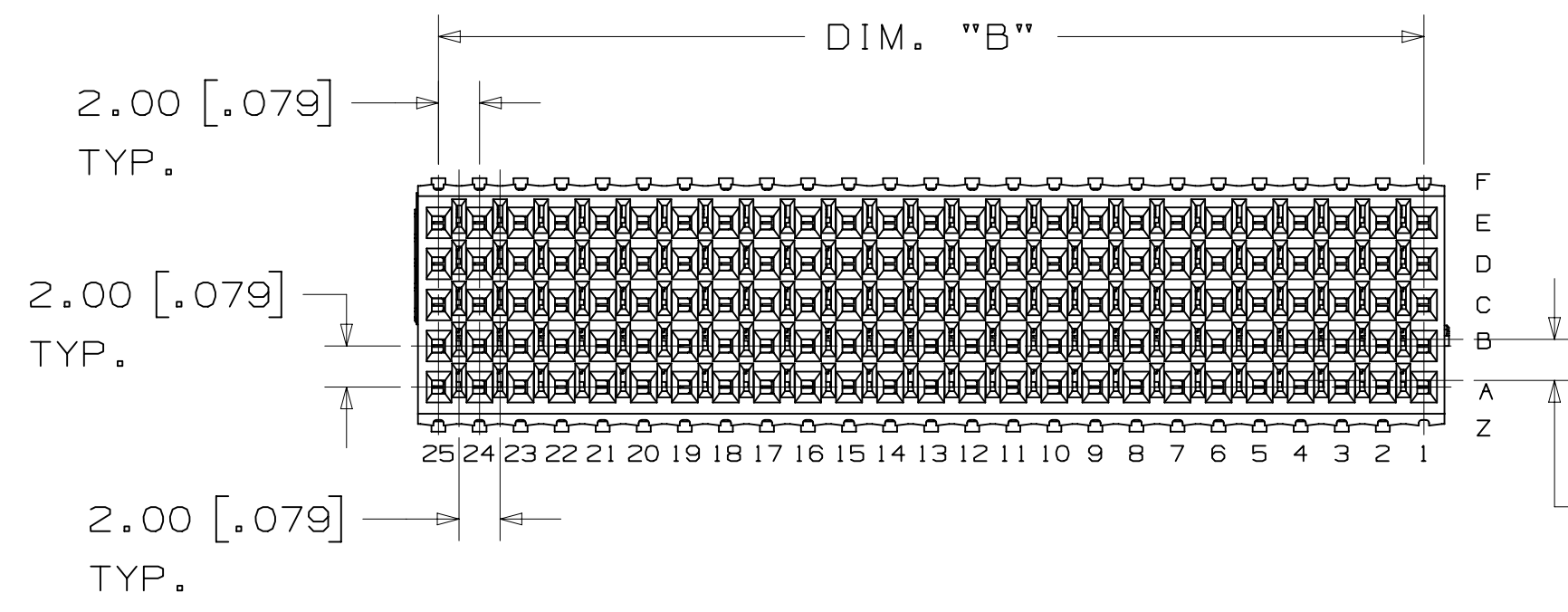
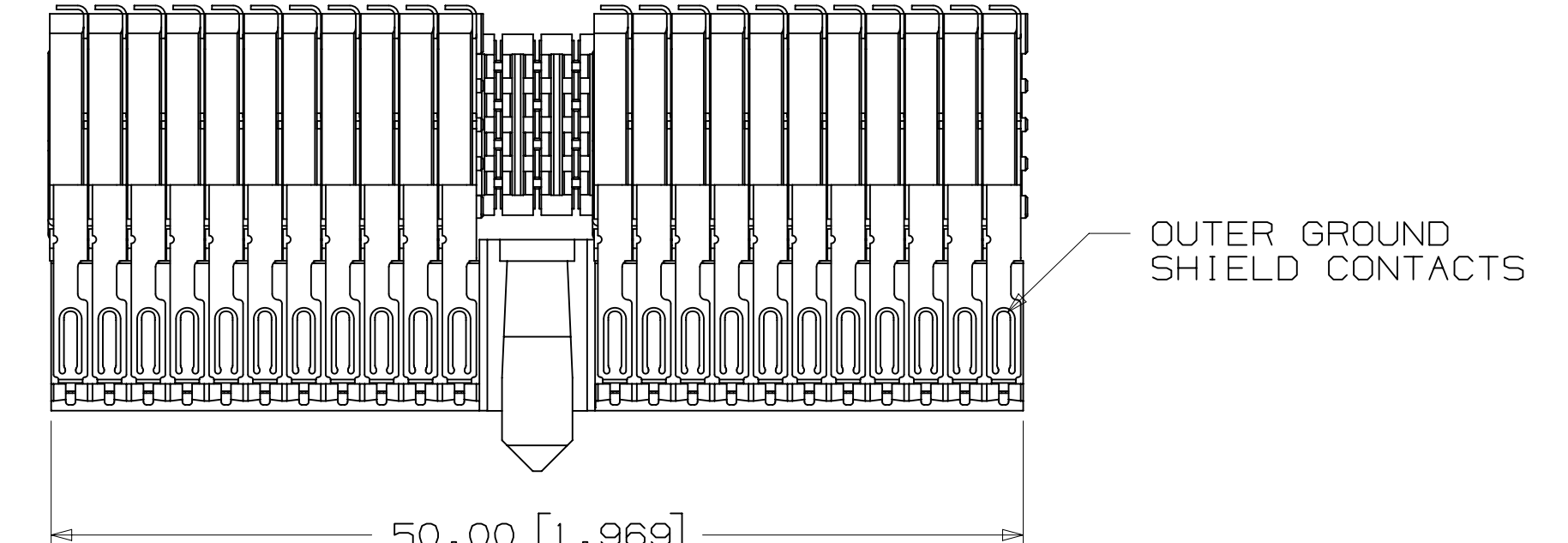
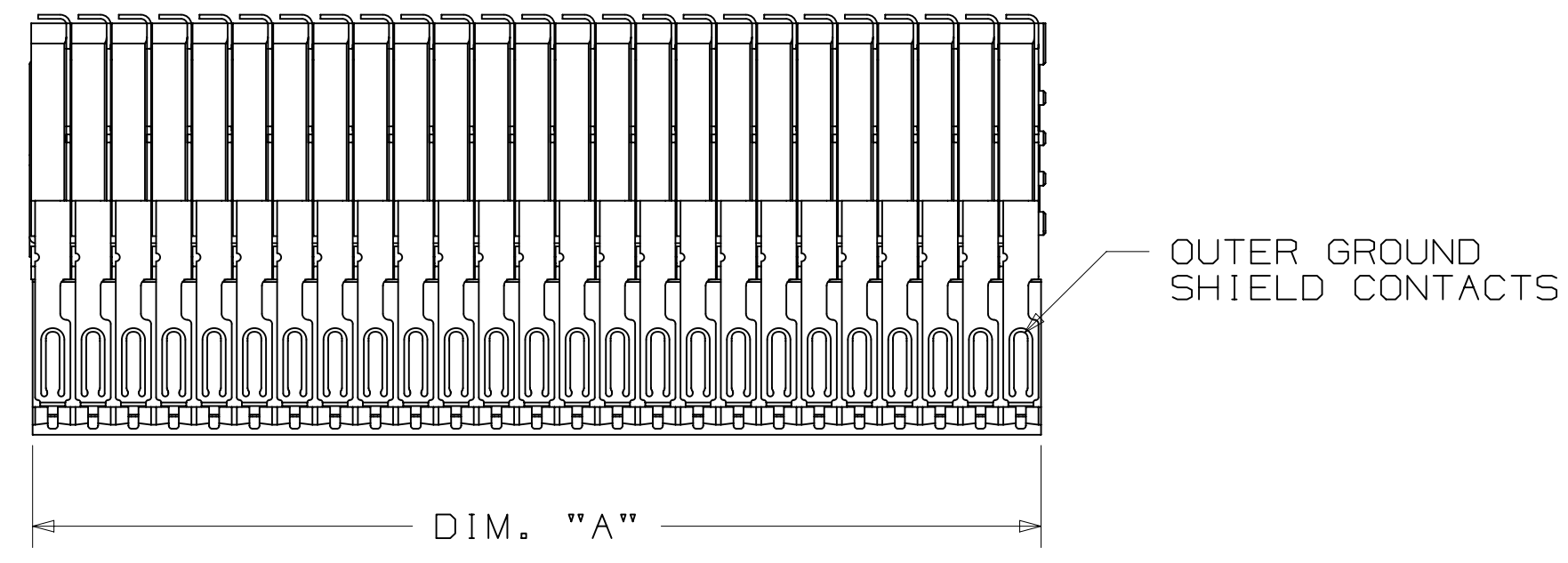


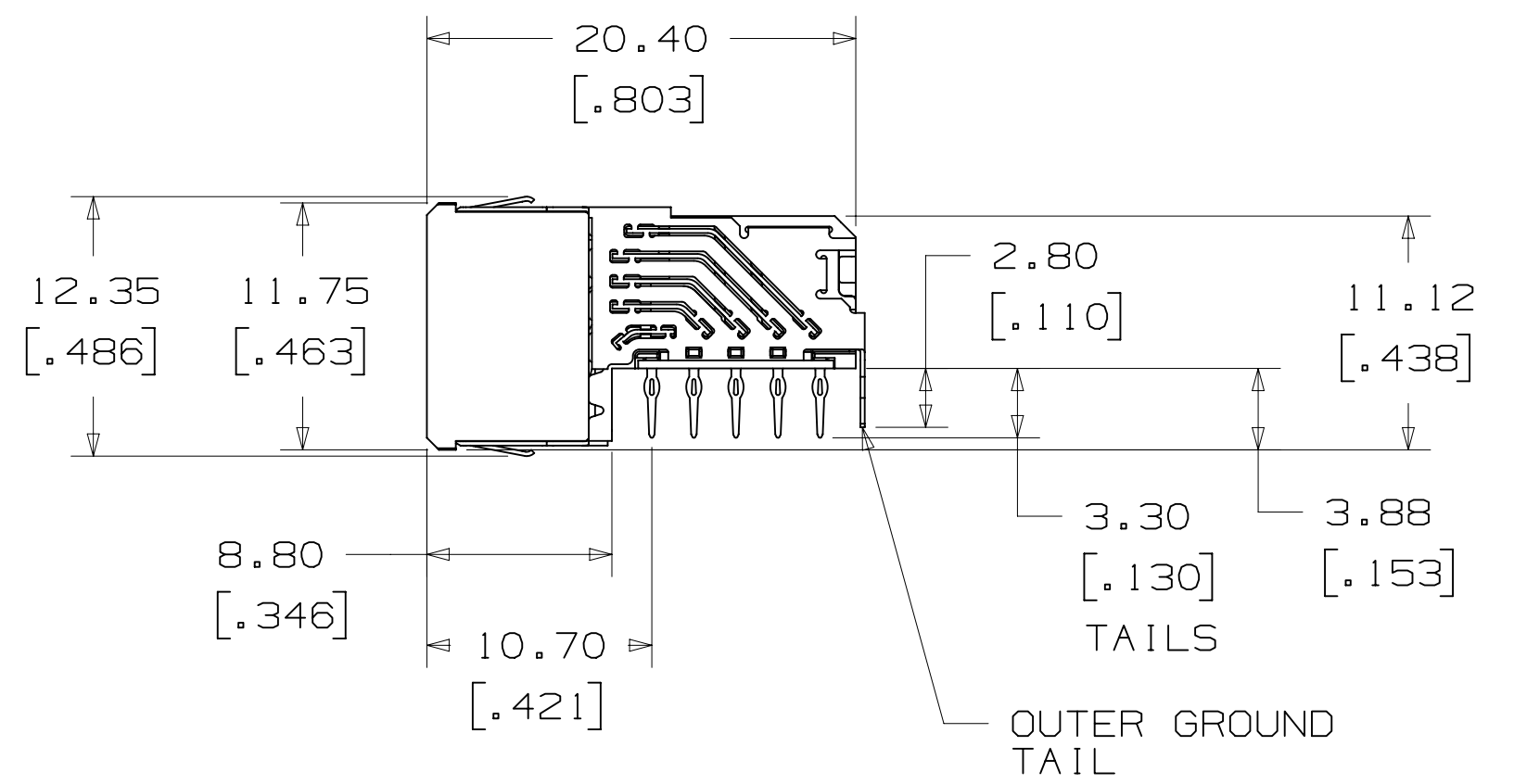
3M™ ULTRA HARD METRIC (UHM) PRESS-FIT SOCKET CONNECTORS, 5-ROW
FOR 2MM HARD METRIC APPLICATIONS



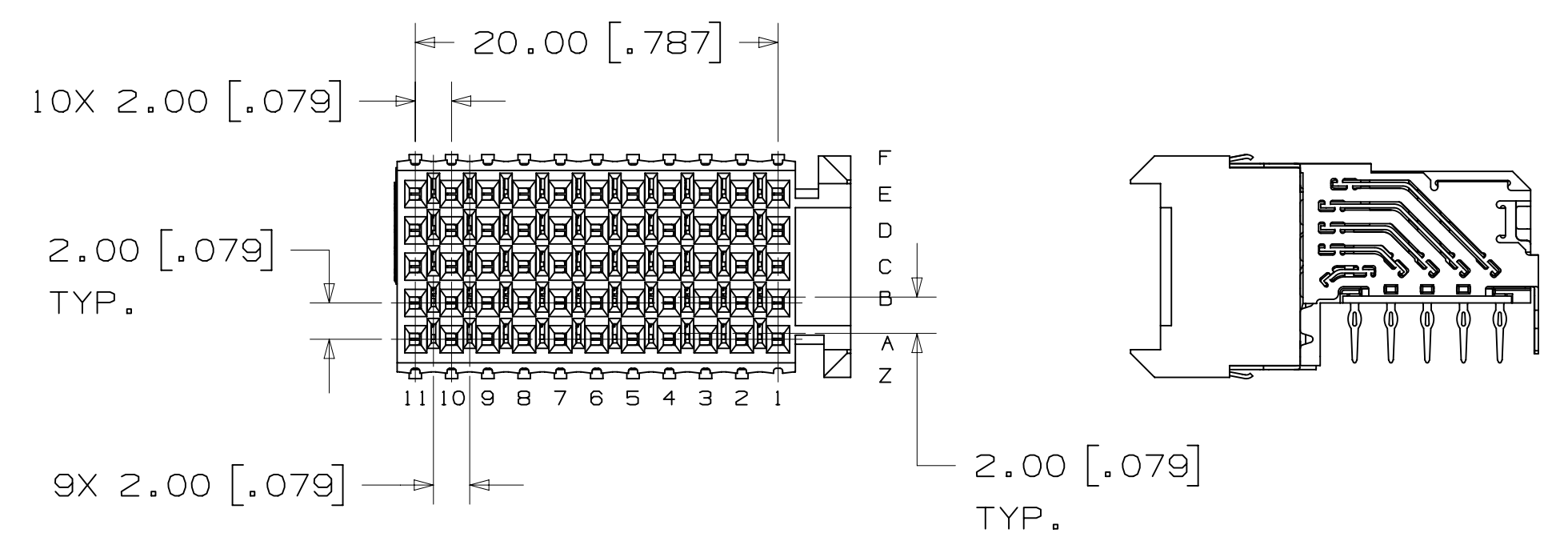
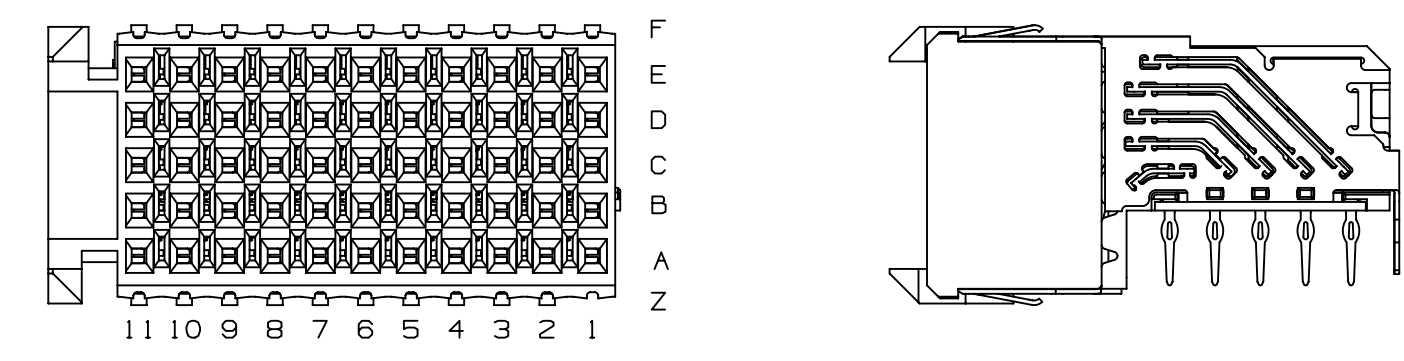
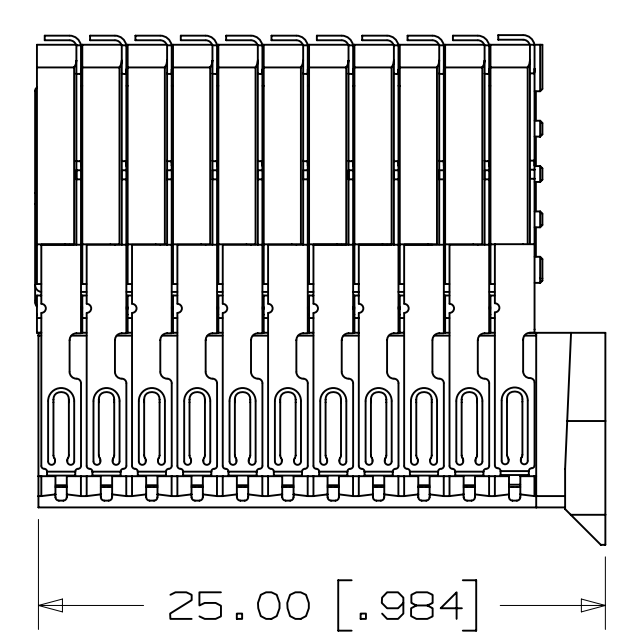
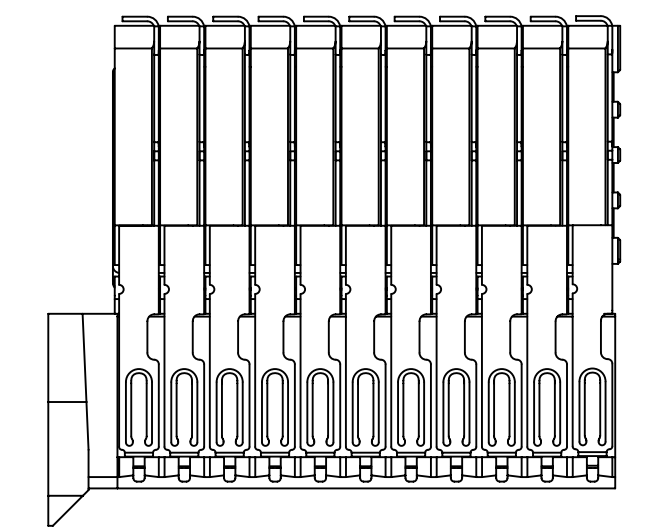
SIGNAL CONTACT QTY.	DIM. "A"	DIM. "B"
055	22.00 [.866]	20.00 [.787]
095	38.00 [1.496]	36.00 [1.417]
110	44.00 [1.732]	42.00 [1.654]
125	50.00 [1.969]	48.00 [1.890]

UHM-S055BX-5AP1-XXXXX
UHM-S095BX-5AP1-XXXXX
UHM-S110BX-5AP1-XXXXX
UHM-S125BX-5AP1-XXXXX

UHM-S110AX-5AP1-XXXXX



TYPICAL SIDE VIEW DIMENSIONS FOR THE SOCKETS ON THIS DRAWING



UHM-S055CLX-5AP1-XXXXX

UHM-S055CRX-5AP1-XXXXX

DESIGN REFERENCE	NEXT ASSEMBLY	REV	ECO	ISSUE DATE AND DESCRIPTION	DRFT	CHKD
		CASTIGLIONE		MAY 23, 2012		
DIVISION CODE		DIVISION CODE		DATE		
Interconnect Solutions		ISD		DATE		
DO NOT SCALE DRAWING	SCALE 3/1	TOLERANCES EXCEPT AS NOTED		DATE		
THIRD ANGLE PROJECTION		INCHES		DATE		
INTERPRET PER ASME Y14.5 - 2009		MILLIMETERS		DATE		
MAX SURFACE ROUGHNESS		0		DATE		
SURFACES		0 ± .3		DATE		
MARKED ONLY		.00 ± .13		DATE		
		.000 ±		DATE		
		ANGLES		DATE		

B	58359	DEC 04, 2014	JNC	TS
REMOVE MKRT FEATURES & WITHSTANDING VOLTAGE WAS 750				
A	41080	MAY 24, 2012	JNC	TS
PRODUCTION RELEASE				

© 3M COPYRIGHT 2012
This document and the information it contains are 3M property and may not be reproduced or further distributed without 3M permission, or used or disclosed other than for 3M authorized purposes. All rights reserved.

3M Center St. Paul, MN 55144

TITLE: UHM PRESS-FIT SOCKET, 5-ROW, CONNECTORS

CAGE NUMBER: D78-5100-2533-7

SIZE: B

DRAWING NO. 78-5100-2533-7

REV. B

MODEL: SHT 2 OF 3

78-5100-2533-7
DRAWING NUMBER
REV. B
12/4/2014 2:00 PM UTC-06:00
Imaged: B.1 12/4/2014 2:00 PM UTC-06:00

