

Han 200A crimp module, male

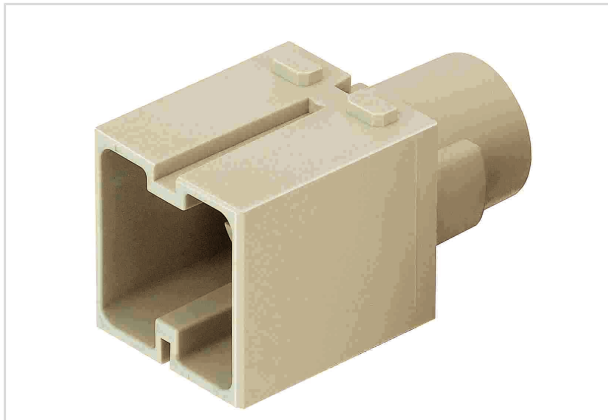


Image is for illustration purposes only. Please refer to product description.

Part number	09 14 001 3001
Specification	Han 200A crimp module, male
HARTING eCatalogue	https://b2b.harting.com/09140013001

Identification

Category	Modules
Series	Han-Modular®
Type of module	Han® 200 A module

Version

Termination method	Crimp termination
Gender	Male
Number of contacts	1
Details	Please order crimp contacts separately.

Technical characteristics

Conductor cross-section	25 ... 70 mm ²
Rated current	200 A
Rated voltage	1,000 V
Rated impulse voltage	8 kV
Pollution degree	3
Rated voltage acc. to UL	600 V
Insulation resistance	>10 ¹⁰ Ω
Limiting temperature	-40 ... +125 °C
Mating cycles	≥500

Material properties

Material (insert)	Polycarbonate (PC)
-------------------	--------------------



Pushing Performance

Material properties

Colour (insert)	RAL 7032 (pebble grey)
Material flammability class acc. to UL 94	V-0
RoHS	compliant
ELV status	compliant
China RoHS	e
REACH Annex XVII substances	Not contained
REACH ANNEX XIV substances	Not contained
REACH SVHC substances	Not contained
California Proposition 65 substances	Not contained

Specifications and approvals

Specifications	EN 60664-1 IEC 61984
Approvals	DNV GL
UL / CSA	UL 1977 ECBT2.E235076 UL 2237 PVVA2.E318390 CSA-C22.2 No. 182.3 PVVA8.E318390

Commercial data

Packaging size	1
Net weight	18.9 g
Country of origin	Germany
European customs tariff number	85389099
eCl@ss	27440217 Module for industrial connectors (power/signals)