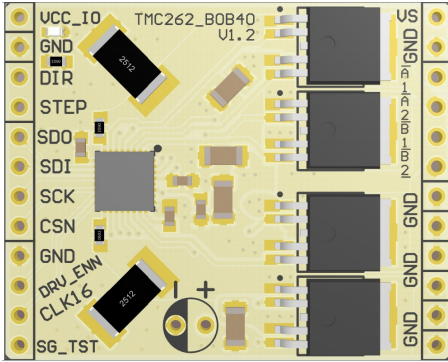


TMC262 40V BOB Description

Document Revision V1.10 • 2021-Feb-01

Module Top View



Features and additional Resources

- TMC262-LA stepper predriver & 40V power stage
- Supply voltage 9-36V (40V limit with the onboard FETs)
- $I_{phase,RMS}$ up to 2.8A
- Config via SPI, control via step/direction
- >24V use with optional lowESR ELCO, ca. 150uF
- Board width 1.5", board height 1.2"
- 2x12 pin 0.1" header rows for pins/connectors
- Link to [additional information and IC data sheet](#)
- Link to [evaluation kit](#)

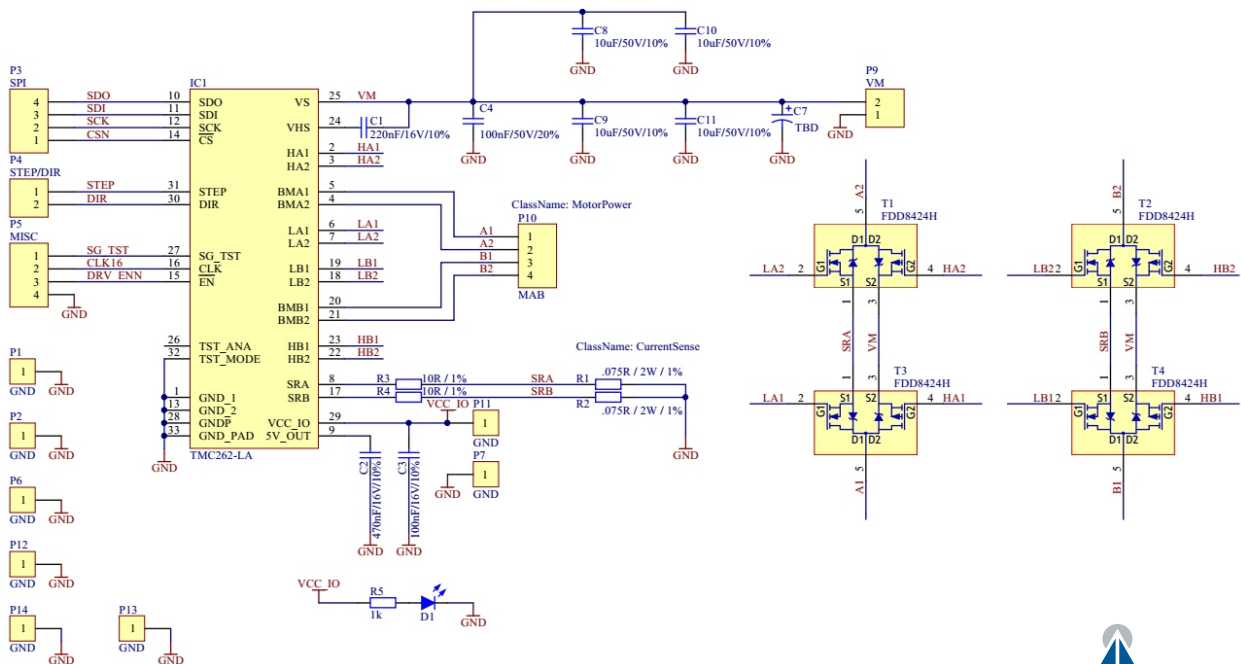
Pin List

| Left | Signal | Right | Signal |
|------|--------------------------------------|-------|------------|
| 1 | VCC_IO (3.3V or 5V) | 13 | VS (9-36V) |
| 2 | GND | 14 | GND |
| 3 | DIR | 15 | A1 |
| 4 | STEP | 16 | A2 |
| 5 | SDO (data out) | 17 | B1 |
| 6 | SDI (data in) | 18 | B2 |
| 7 | SCK (up to 6MHz with external CLK) | 19 | GND |
| 8 | CSN (active low) | 20 | GND |
| 9 | GND | 21 | GND |
| 10 | DRV_ENN (active low) | 22 | GND |
| 11 | CLK16 (pull to GND for internal CLK) | 23 | GND |
| 12 | SG_TST (see datasheet) | 24 | GND |

Bill of Materials

| Pcs. | MPN | Value | Footprint | Description |
|------|--------------------|-----------------|-------------------|----------------------|
| 1 | MC0603B224K160CT | 220nF,16V,10% | 0603 | Cap, Multicomp |
| 1 | MC0603X474K160CT | 470nF,16V,10% | 0603 | Cap, Multicomp |
| 1 | MC0603B104K160CT | 100nF,16V,10% | 0603 | Cap, Multicomp |
| 1 | MC0603F104M500CT | 100nF,50V,20% | 0603 | Cap, Multicomp |
| 4 | GRM31CC8YA106KA12L | 10uF,35V,10% | 1206 | Cap, Murata |
| 1 | LTST-C191TBKT-5A | 20mA,2.8V,465nm | 0603 | LED, Lite-On |
| 1 | TMC262-LA | TMC262-LA | QFN32,5x5,0,5 | PreDriver, TRINAMIC |
| 2 | TLR3A20WR075FTDG | 0.075R,2W,1% | 2512 | Res, TE Connectivity |
| 2 | MCWR06X10R0FTL | 10R,1% | 0603 | Res, Multicomp |
| 1 | MC0063W060311K | 1k | 0603 | Res, Multicomp |
| 4 | FDD8424H | FDD8424H | SOT114P991X239-6N | FET,Fairchild Semi |

BOB Schematics



©2021 TRINAMIC Motion Control GmbH & Co. KG, Hamburg, Germany
 Download newest version at: www.trinamic.com

