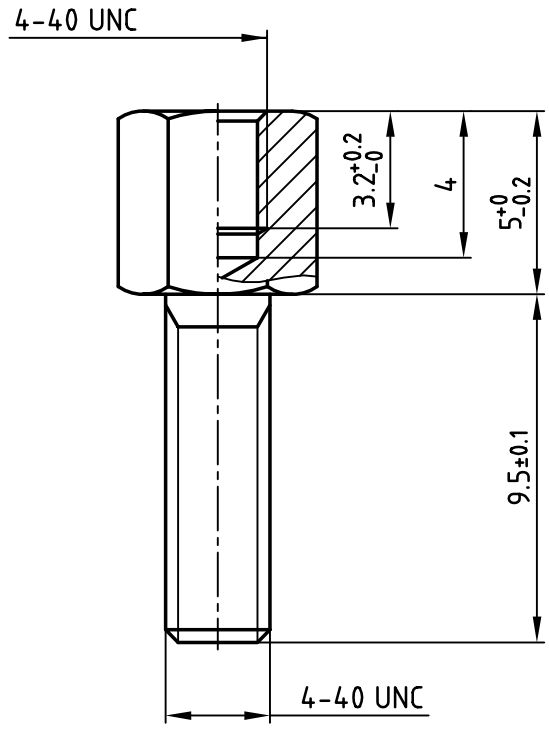


used for:



Part-No.
160X10269X-S5
160X00699A

- Notes:**
1. Part is splint and burrfree
 2. Threaded core dimension 4-40 UNC: 2.257 ± 0.1
 3. Test equipment measurement: 4-40 UNC-2B (thread inner)
4-40 UNC-2A (thread outer)

THIS DRAWING MAY NOT BE COPIED OR REPRODUCED IN ANY WAY, AND MAY NOT BE PASSED ON TO A THIRD PARTY WITHOUT WRITTEN PERMISSION.
 OWNERSHIP AND COPYRIGHT OF CONEC GmbH
 DO NOT ALTER CAD DRAWING BY HAND

			tolerance ISO 2768-m		scale: 5:1
			2002	date	name
			drawn	03.07.	Schmidt
			appd.	03.07.	Mickenbecker
			norm		
			d-old		
rev.	description	date			

material: STAINLESS STEEL		title: HEX BOLT 4-40 UNC / 4-40 UNC 14.5 mm long
scale: 5:1		
dwg no: CAD/ 2000		DIN-A 4
product no: 740FEL0A		sh: 1/1
SEE TABLE		