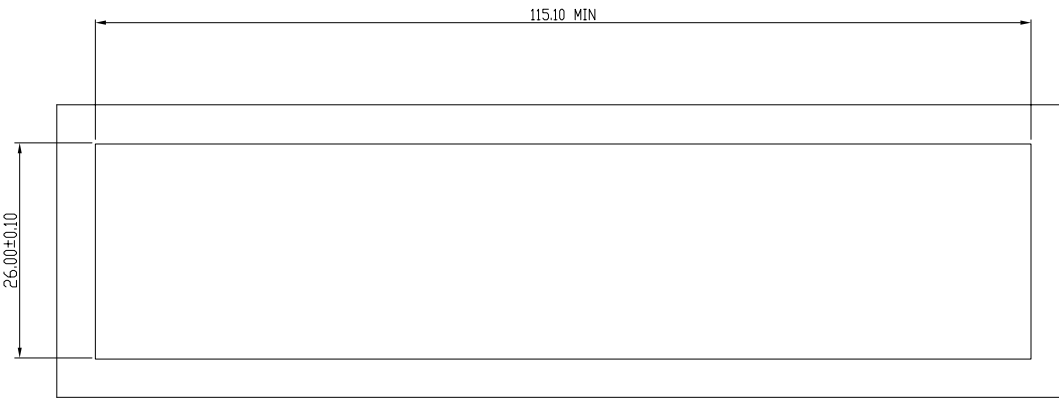


1. FULL RADIUS TYP. ON END OF PINS TO ASSIST ENTRY INTO PCB HOLES.
2. FREE OF BURRS AND OVERHANGS.

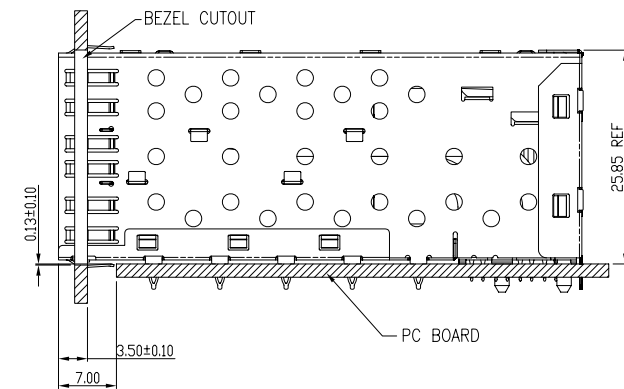
| | | | | |
|-------------|-------------------------|--------|------------------------|---------|
| Qty Per: | TRAY | CARTON | | |
| | 3 | 18 | | |
| PART NUMBER | STATEMENT | | | |
| SFP0-3000-L | INNER/OUTER LIGHT PIPES | | | |
| | INNER LIGHT PIPES | | | |
| | OUTER LIGHT PIPES | | | |
| No. | DESCRIPTION | Q'ty | MATERIAL | PLATING |
| 01 | SFP CAGE (Non-Logo) | 1 | COPPER ALLOY | |
| 02 | CONNECTOR | 8 | HIGH TEMP/COPPER ALLOY | GOLD |
| 03 | LIGHT PIPES | 8 | POLYCARBONITE | |

| | | | | | | |
|------------------------|----------------------------|-----------------------------|--|-------------------------------|------------------|--------------------------|
| DETACHED LISTS | MM (INCH) | RoHS Compliant | | Pulse A TECHNITROL COMPANY | | |
| | TOLERANCES EXCEPT AS NOTED | TITLE | | | | W/LIGHT PIPES |
| | MM | SFP 2 by 8 CAGE+CONNECTOR_P | | | | |
| | ANGLES ± 0.5 | DFTD Jack | | | | DRAWING NO. CSFP0-3000-L |
| THIRD ANGLE PROJECTION | DATE 1/05/2010 | SCALE : 1 | | DO NOT SCALE DRAWING | SHEET 1 OF 4 | |
| | | | | | SIZE REV A3 0 | |

8 | 7 | 6 | 5 | 4 | 3 | 2 | 1



BEZEL CUT-OUT CENTER SPACING DETAIL
BEZEL THICKNESS:0.8-2.6



8

7

6

5

4

3

2

1

A

B

C

D

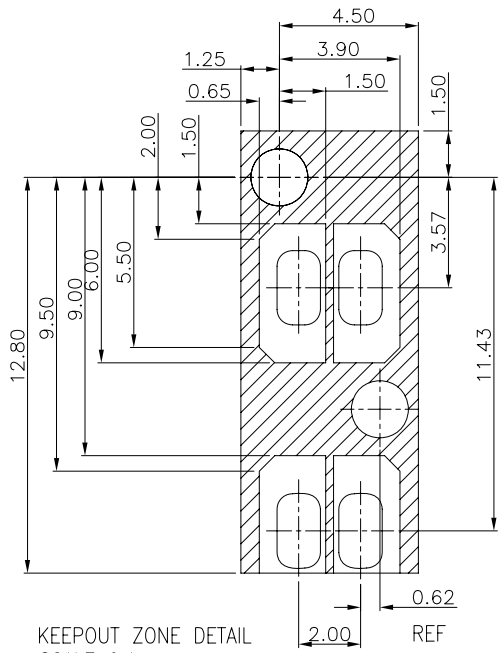
E

F

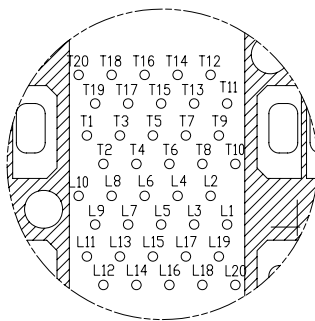
G

H

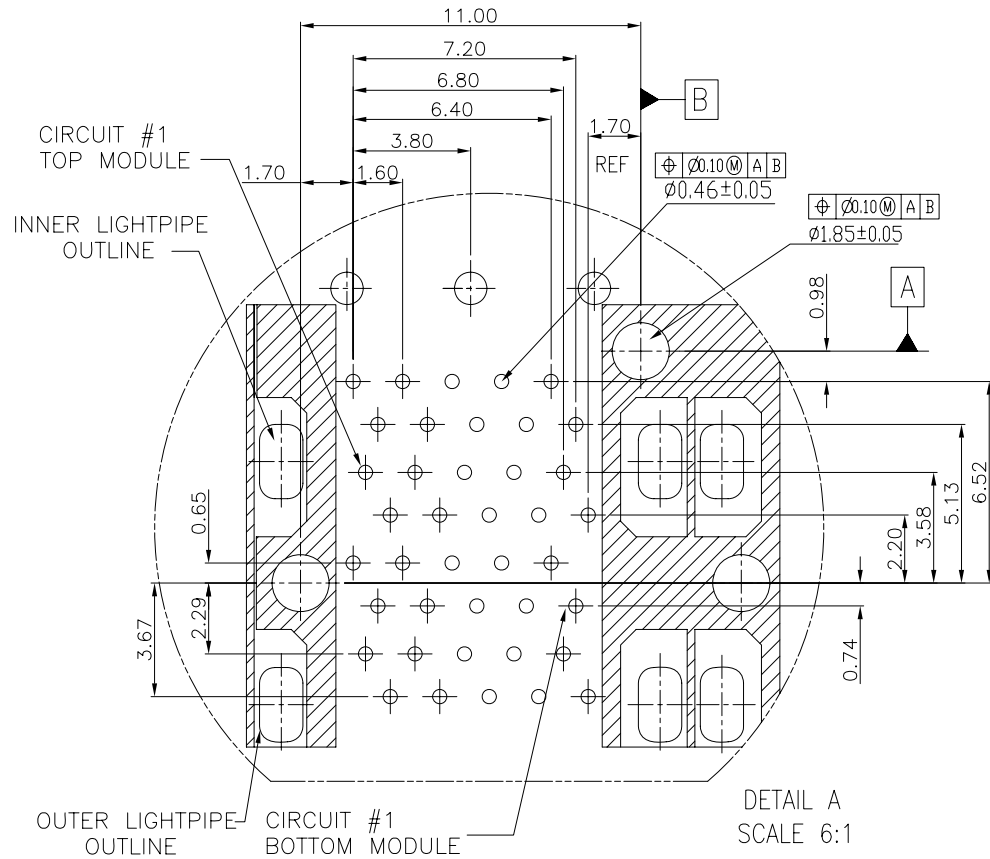
| | | | | | | |
|----------------------------|----------------------------|--|---|--------------|--|---|
| DETACHED LISTS | MM (INCH) | | RoHS Compliant | | | |
| | TOLERANCES EXCEPT AS NOTED | | TITLE SFP 2 by 8 CAGE+CONNECTOR_P W/LIGHT PIPES | | | |
| | MM | | | | | |
| | .0 ± 0.25 | ± | | | | |
| .00 ± 0.20 | ± | DFTD Jack DATE 1/05/2010 SCALE : 2:1 | | | | |
| .000 ± 0.10 | ± | | | | | DRAWING NO. CSFP0-3000-L /PART NO. SFP0-3000-L |
| ANGLES ± 0.5 | | DO NOT SCALE DRAWING | | SHEET 2 OF 4 | | |
| THIRD ANGLE PROJECTION | | | | | | |



KEEP-OUT ZONE DETAIL
SCALE 6:1



CONNECTOR PIN-OUT
COMPONENT SIDE OF BOARD



DETAIL A
SCALE 6:1

| | | | | | |
|--------------------------------------|--------------|---|---|--------------------------------------|----------|
| MM (INCH) | | RoHS Compliant | | | |
| TOLERANCES EXCEPT AS NOTED | | | | | |
| DETACHED LISTS | MM | | | | |
| | .0 ± 0.25 | | ± | | |
| | .00 ± 0.20 | | ± | | |
| | .000 ± 0.10 | | ± | | |
| | ANGLES ± 0.5 | | | | |
| THIRD ANGLE PROJECTION | | RoHS Compliant | | Pulse A TECHNITROL COMPANY | |
| TITLE SFP 2 by 8 CAGE+CONNECTOR_P | | | | W/LIGHT PIPES | |
| DFTD Jack DATE 1/05/2010 | | DRAWING NO. CSFP0-3000-L /PART NO. SFPO-3000-L | | SIZE A3 | REV 0 |
| SCALE : 2:1 | | | | DO NOT SCALE DRAWING | |
| | | | | SHEET 4 | OF 4 |