

# 127×127×38 mm



San Ace 127 9E type   

## General Specifications

- Material ..... Frame: Aluminum, Impeller: Plastic (Flammability: UL 94V-0)
- Expected life ..... See the table below. (L10 life: 90% survival rate for continuous operation in free air at 60°C, rated voltage)  
Expected life at 40°C is for reference only.
- Motor protection function ..... Locked rotor burnout protection, Reverse polarity protection  
For details, please refer to p. 599.
- Dielectric strength ..... 50/60 Hz, 500 VAC, for 1 minute (between lead wire conductors and frame)
- Insulation resistance ..... 10 MΩ or more with a 500 VDC megger (between lead wire conductors and frame)
- Sound pressure level (SPL) ..... At 1 m away from the air inlet
- Storage temperature ..... -30 to +70°C (Non-condensing)
- Lead wire ..... ⊕Red ⊖Black or Blue  Sensor Yellow
- Mass ..... 400 g

## Specifications

The models listed below **have pulse sensors.**

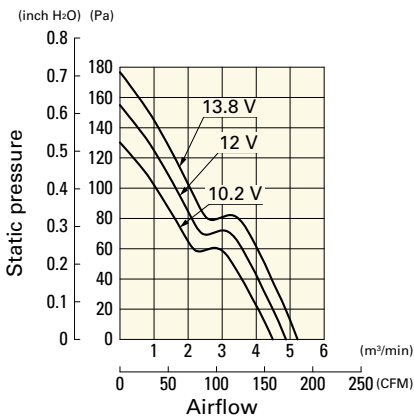
Model no.	Rated voltage [V]	Operating voltage range [V]	Rated current [A]	Rated input [W]	Rated speed [min <sup>-1</sup> ]	Max. airflow [m <sup>3</sup> /min] [CFM]	Max. static pressure [Pa] [inchH <sub>2</sub> O]	SPL [dB (A)]	Operating temperature [°C]	Expected life [h]
<b>109E1312A101</b>	12	10.2 to 13.8	1.4	16.8	3850	4.81 170	155 0.622	52	-20 to +70	60000/60°C (90000/40°C)
<b>109E1312S101</b>			1.2	14.4	3450	4.37 154	125 0.502	49		
<b>109E1324G101</b>	24	20.4 to 27.6	1.1	26.4	4550	5.66 200	216 0.867	57	-20 to +60	40000/60°C (70000/40°C)
<b>109E1324A101</b>			0.7	16.8	3850	4.81 170	155 0.622	52		
<b>109E1324S101</b>			0.53	12.7	3450	4.37 154	125 0.502	49		
<b>109E1348G101</b>	48	40.8 to 55.2	0.54	25.9	4550	5.66 200	216 0.867	57	-20 to +60	40000/60°C (70000/40°C)
<b>109E1348A101</b>			0.36	17.3	3850	4.81 170	155 0.622	52		
<b>109E1348S101</b>			0.28	13.4	3450	4.37 154	125 0.502	49		

Note: Sensor and control options are available for selection. Refer to the table on p. 620.

## Airflow - Static Pressure Characteristics

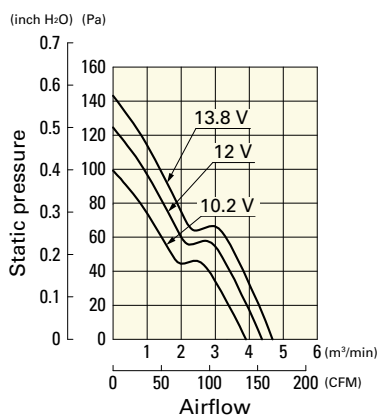
**109E1312A101** With pulse sensor

Operating voltage range



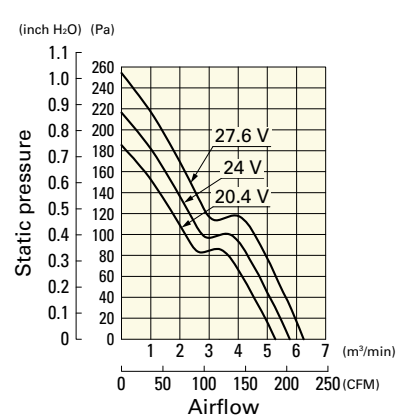
**109E1312S101** With pulse sensor

Operating voltage range



**109E1324G101** With pulse sensor

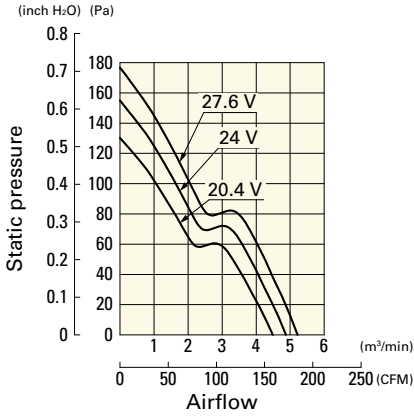
Operating voltage range



**Airflow - Static Pressure Characteristics**

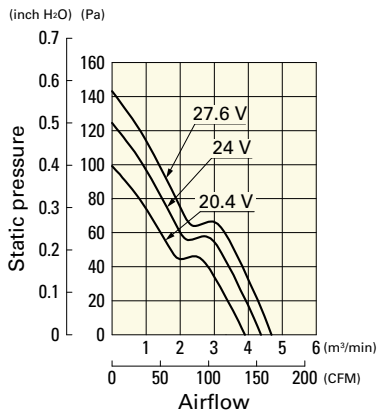
**109E1324A101** With pulse sensor

Operating voltage range



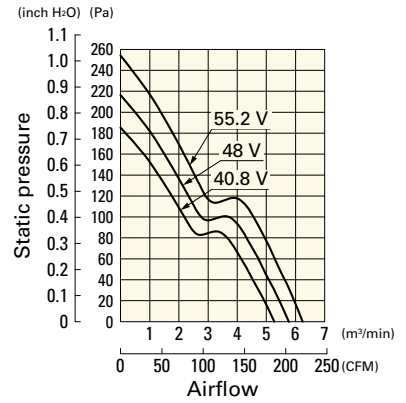
**109E1324S101** With pulse sensor

Operating voltage range



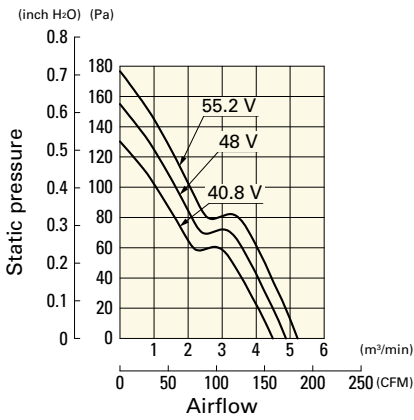
**109E1348G101** With pulse sensor

Operating voltage range



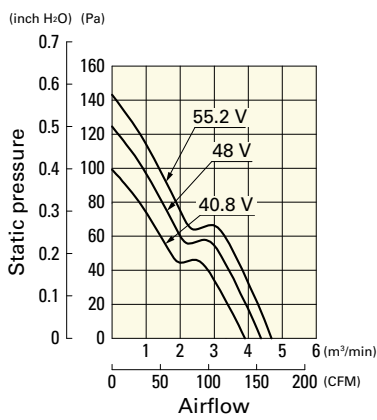
**109E1348A101** With pulse sensor

Operating voltage range

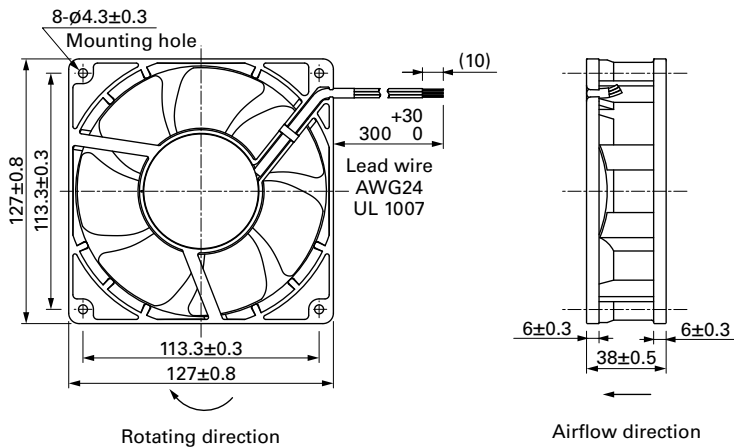


**109E1348S101** With pulse sensor

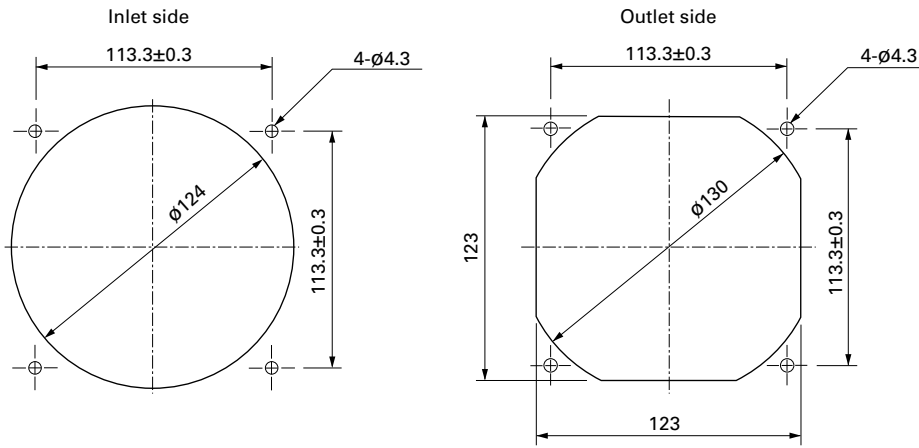
Operating voltage range



**Dimensions (unit: mm)**



## Reference Dimensions of Mounting Holes and Vent Opening (unit: mm)



## Options

Finger guards

page: p. 585

Model no.: 109-722, 109-722H, 109-723