

DC Fan

# Ø 172x147x25 mm

**San Ace 172 9E** type   

Sidecut type



## General Specifications

- Material ..... Frame: Aluminum, Impeller: Plastic (Flammability: UL 94V-1)
- Expected life ..... See the table below. (L10 life: 90% survival rate for continuous operation in free air at 60°C, rated voltage)  
Expected life at 40°C is for reference only.
- Motor protection function ..... Locked rotor burnout protection, Reverse polarity protection  
For details, please refer to p. 599.
- Dielectric strength ..... 50/60 Hz, 500 VAC, for 1 minute (between lead wire conductors and frame)
- Insulation resistance ..... 10 MΩ or more with a 500 VDC megger (between lead wire conductors and frame)
- Sound pressure level (SPL) ..... At 1 m away from the air inlet
- Storage temperature ..... -30 to +70°C (Non-condensing)
- Lead wire ..... ⊕Red ⊖Black or Blue  Sensor Yellow
- Mass ..... 500 g

## Specifications

The models listed below **have pulse sensors**.

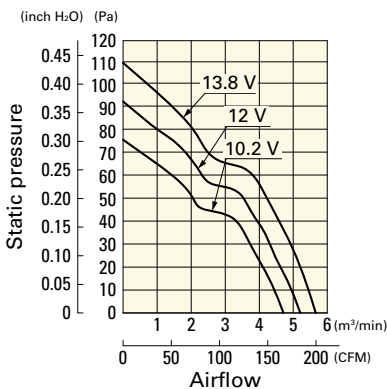
Model no.	Rated voltage [V]	Operating voltage range [V]	Rated current [A]	Rated input [W]	Rated speed [min <sup>-1</sup> ]	Max. airflow [m <sup>3</sup> /min] [CFM]	Max. static pressure [Pa] [inchH <sub>2</sub> O]	SPL [dB (A)]	Operating temperature [°C]	Expected life [h]
<b>109E4712M401</b>	12	10.2 to 13.8	1.3	15.6	2800	5.2 183	92 0.369	51	-20 to +60	40000/60°C (70000/40°C)
<b>109E4712L401</b>			1.0	12.0	2500	4.6 162	73 0.293	48		
<b>109E4724H401</b>	24	20.4 to 27.6	1.0	24.0	3400	6.4 226	135 0.542	57		
<b>109E4724F401</b>			0.79	19.0	3100	5.8 204	112 0.45	54		
<b>109E4724M401</b>			0.58	13.9	2800	5.2 183	92 0.369	51		
<b>109E4724L401</b>			0.44	10.6	2500	4.6 162	73 0.293	48		
<b>109E4748S401</b>	48	40.8 to 55.2	0.62	29.8	3650	6.8 240	156 0.627	58		
<b>109E4748H401</b>			0.52	25.0	3400	6.4 226	135 0.542	57		
<b>109E4748F401</b>			0.4	19.2	3100	5.8 204	112 0.45	54		
<b>109E4748M401</b>			0.32	15.4	2800	5.2 183	92 0.369	51		
<b>109E4748L401</b>			0.25	12.0	2500	4.6 162	73 0.293	48		

Note: Sensor and control options are available for selection. Refer to the table on p. 620.

## Airflow - Static Pressure Characteristics

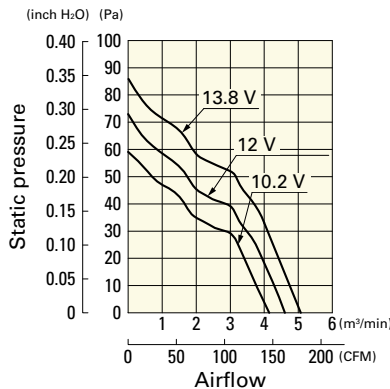
**109E4712M401** With pulse sensor

Operating voltage range



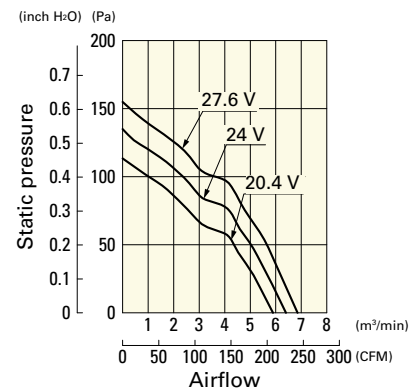
**109E4712L401** With pulse sensor

Operating voltage range



**109E4724H401** With pulse sensor

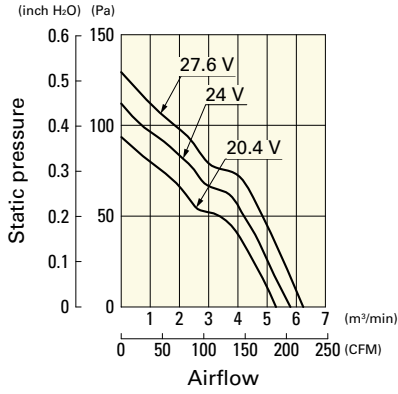
Operating voltage range



## Airflow - Static Pressure Characteristics

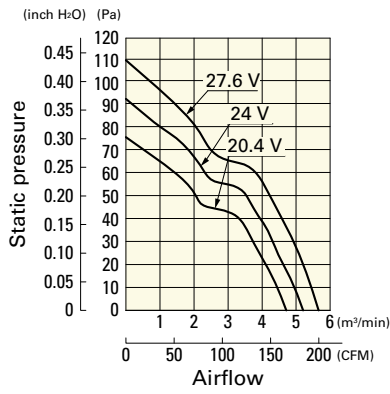
**109E4724F401** With pulse sensor

Operating voltage range



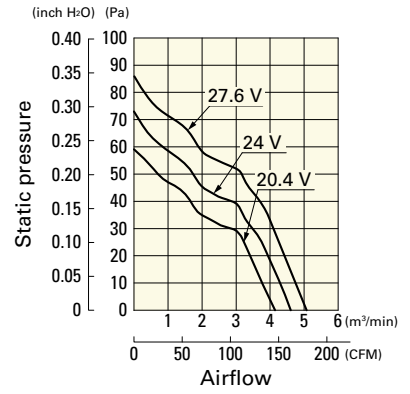
**109E4724M401** With pulse sensor

Operating voltage range



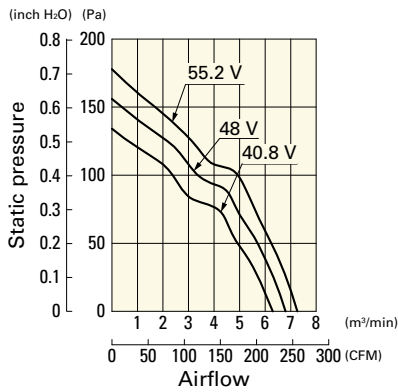
**109E4724L401** With pulse sensor

Operating voltage range



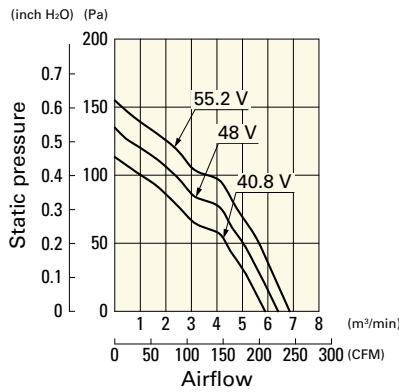
**109E4748S401** With pulse sensor

Operating voltage range



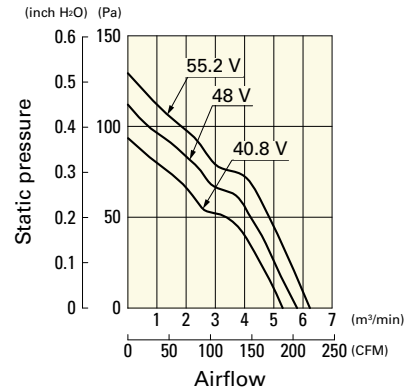
**109E4748M401** With pulse sensor

Operating voltage range



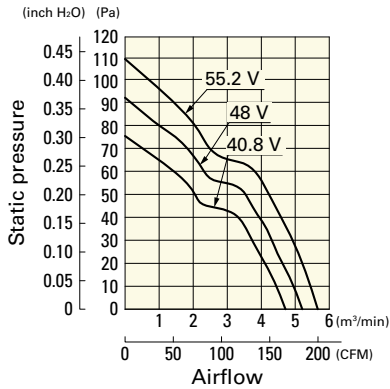
**109E4748F401** With pulse sensor

Operating voltage range



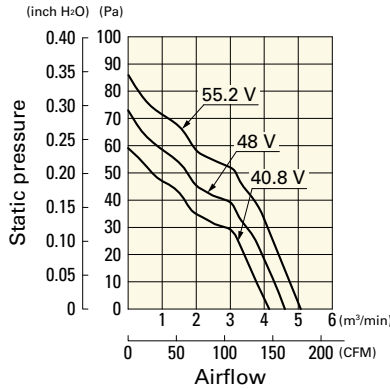
**109E4748M401** With pulse sensor

Operating voltage range

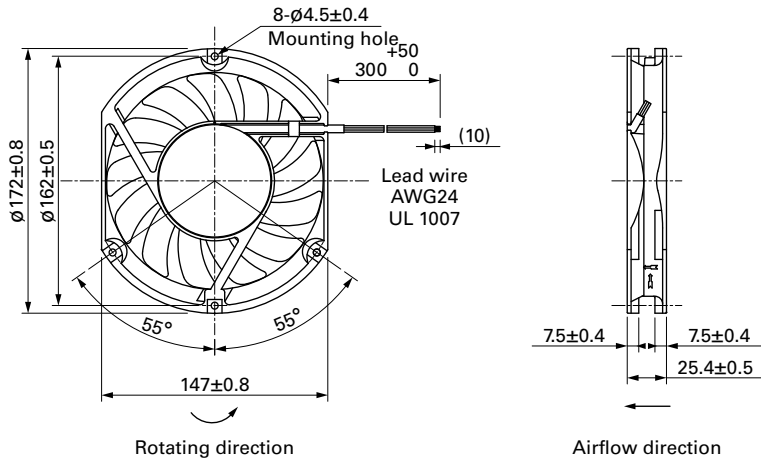


**109E4748L401** With pulse sensor

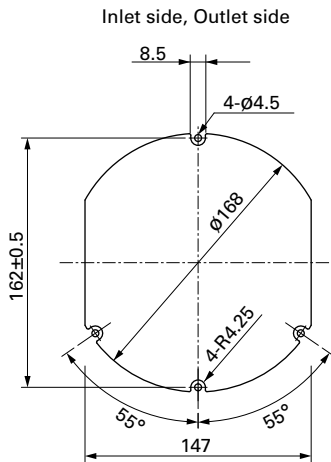
Operating voltage range



## Dimensions (unit: mm)



## Reference Dimensions of Mounting Holes and Vent Opening (unit: mm)



## Options

Finger guards

page: p. 586

Model no.: 109-319E, 109-319H, 109-320