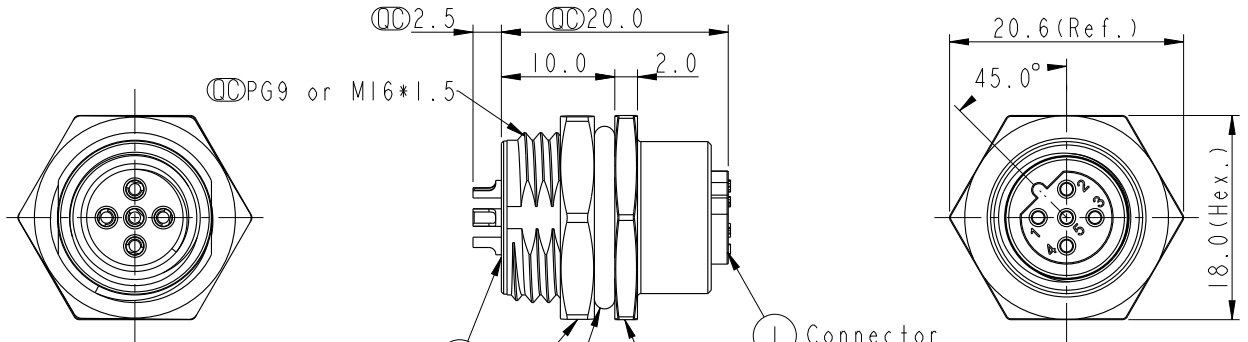
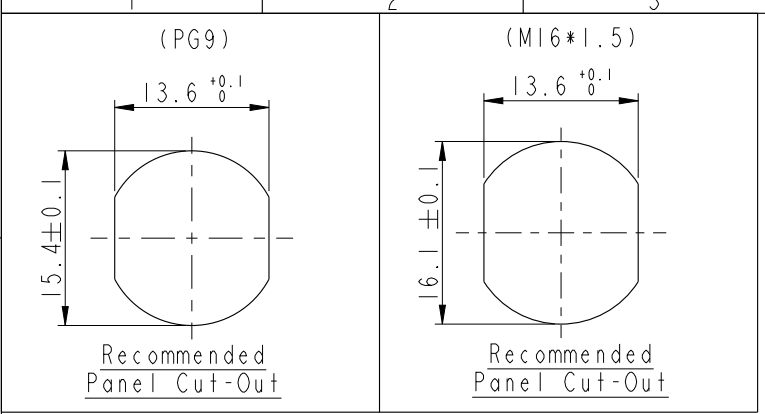


THIS DOCUMENT IS SUBJECT TO CHANGE WITHOUT NOTICE. IT IS CONFIDENTIAL AND A PROPERTY OF Amphenol LTW. DISCLOSURE TO THIRD PARTY HAS TO BE AUTHORIZED BY Amphenol LTW.

REV.	ECN NO.	DATE	SIGN	DESCRIPTION
B	LEN1580031~032	2015/07/25	Yulong_wang	Change to Share Drawing.
C	LEN1690054~055	2016/09/05	Yulong_wang	Add 3, 4 Pin & IP69K.

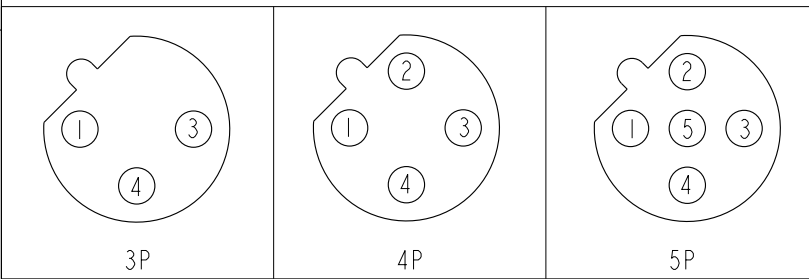


M 12B - XX P F F S - S H 8 XXX

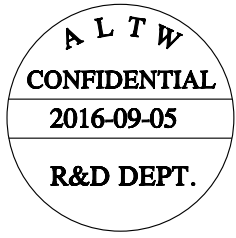
12B: B-Code  
 03: 3Pin  
 04: 4Pin  
 05: 5Pin  $\triangle$

P: Panel (板端)  
 F: Female Connector (母座)  
 F: Female Pin (母Pin)

001: PG9  
 002: M16\*1.5  
 8: IP68/69K (防水等級68/69K)  $\triangle$   
 H: Rear Fasten (后鎖式/Enclosure Front Mount)  
 S: Screw (螺紋式)  
 S: Solder Type (焊接式)



Pin Assignment Front View



Note:

- \*  $\text{\textcircled{C}}$  Important Dimension.
- $\triangle$  \* Waterproof Rate: IP68, IP69K.
- \* Housing: Nylon+GF, Black.
- \* Female Pin: Copper Alloy, Gold Plated.
- \* Shield: Zinc Alloy, Nickel Plated.
- \* Screw Nut: Zinc Alloy, Nickel Plated.
- \* Panel O-Ring: Viton, Black.
- \* Housing O-Ring: Viton, Green.
- $\triangle$  \* Rated Voltage: 3 & 4Pin 250V dc. or ac. 5Pin 60V dc. or ac.
- \* Rated Current: 4A
- \* Operating Temperature: -40~+105°C
- \* For Panel Thickness Max 4.5mm.
- \* Recommended Nut Torque: 4-6 Kgf.cm.



UNIT: mm		TITLE	M12 B-Code Female Conn. Solder Rear Type		
TOLERANCE		SCALE	SIZE	SHEET	OF
.X ±0.25		2:1	A4	1	1
.XX ±0.1		REV.	WC-REV.	$\text{\textcircled{C}}$ : Inspection item	
.XXX ±0.05		C	A.5		
ANGLES ±1°					

**Amphenol LTW**  
 安費諾亮泰企業股份有限公司

ITEM NO.	DRAWN BY	DATE
	Yulong_wang	2016-09-05
DWG NO.	CHECKED BY	DATE
M12B-XXPFFS-SH8XXX	Jinhai	2016-09-05
CUSTOMER	APPROVED BY	DATE
ALTW	Jerry	2016-09-05