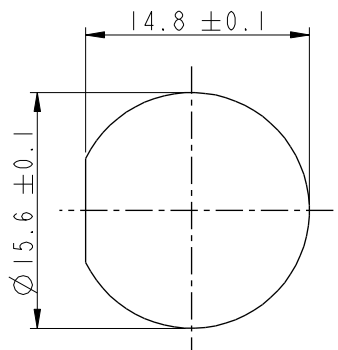
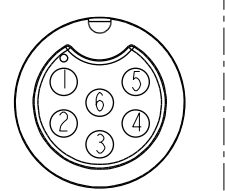
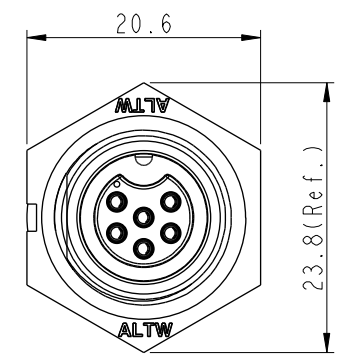
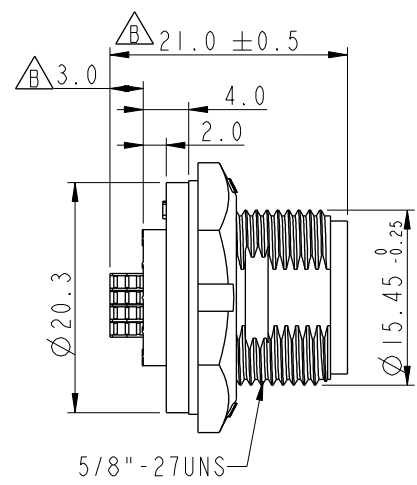
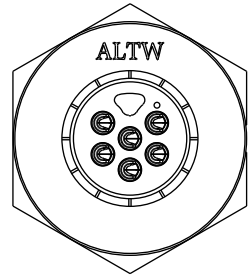


THIS DOCUMENT IS SUBJECT TO CHANGE WITHOUT NOTICE. IT IS CONFIDENTIAL AND A PROPERTY OF AMPHENOL LTW. DISCLOSURE TO THIRD PARTY HAS TO BE AUTHORIZED BY AMPHENOL LTW.

REV.	ECN NO.	DATE	SIGN	DESCRIPTION
B	LEN1680775-79	2016/08/17	Jinhai	Change Dimensions
C	CI90346	2019/03/05	Vicky	Change Note



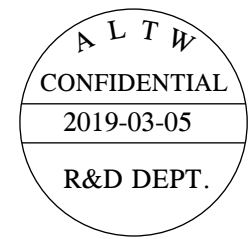
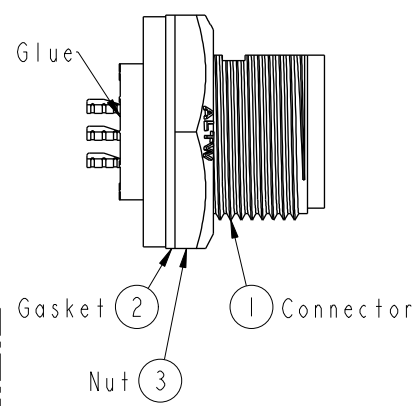
Recommended Panel Cut-Out



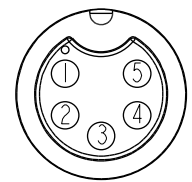
6 Pin Pin Assignments Front View

ABD-XXPMFS-SC7001
 02: 2Pin
 :
 :
 06: 6Pin

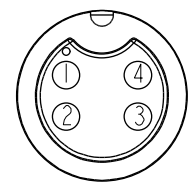
With Liquid Glue



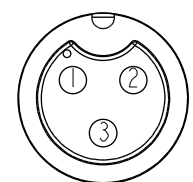
- Note:**
- * ⌀ Important Dimension To Check.
 - * Waterproof Rate: IP67, Unmated.
 - * Housing: Thermoplastic, Black.
 - * Pin: Copper Alloy, Gold Plated.
 - * Gasket: Rubber, Gray.
 - * Nut: Thermoplastic, Black.
 - * Use with waterproof cap or dust cap
Maximum Panel Thickness: 3.3mm
 - * Use without waterproof cap or dust cap
Maximum Panel Thickness: 4.5mm
 - * Gasket and Nut are packed separately in PE bags. (Gasket/Nut不組裝，散裝出貨)



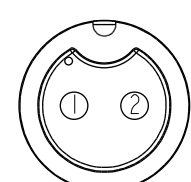
5 Pin



4 Pin



3 Pin



2 Pin

Pin Assignments Front View

UNIT: mm			TITLE STANDARD PANEL SCREW M CONN F PIN		
TOLERANCE	.X ±0.25	.XX ±0.1	SCALE 2:1	SIZE A4	SHEET 1 OF 1
ANGLES	.XXX ±0.05	±1°	REV. C	WC-REV. A.2	⌀ : Inspection item

Amphenol LTW
 安費諾亮泰企業股份有限公司

ITEM NO	DRAWN BY	DATE
DWG NO ABD-XXPMFS-SC7001	Vicky	2019-03-05
CUSTOMER	CHECKED BY	DATE
ALTW	Rita	2019-03-05
	APPROVED BY	DATE
	Max	2019-03-05