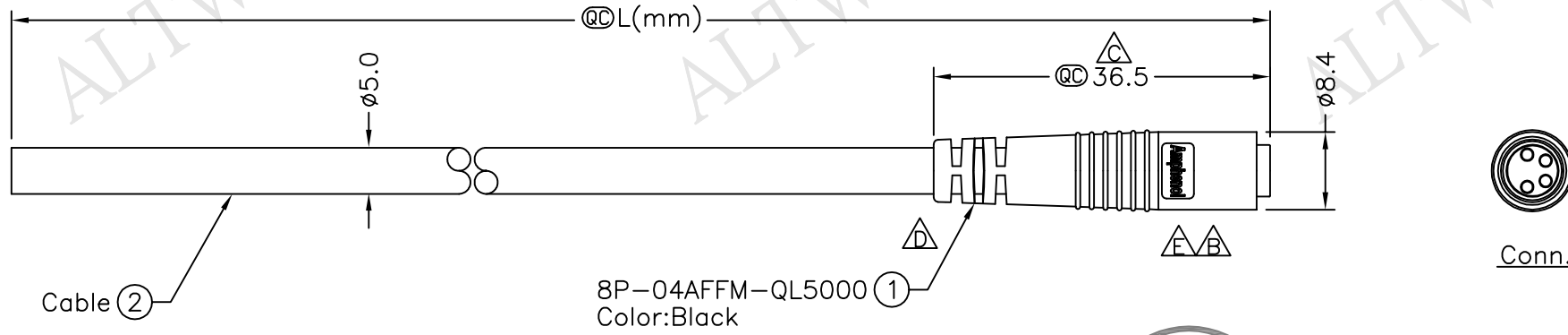
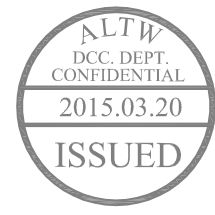


REV.	ECN NO.	DATE	SIGN	DESCRIPTION
C	LEN-920508~512	2009/02/19	Vicky	Update the drawing.
D	LEN1160225~229	2011/06/22	Jiang Jun Hua	Change the view
E	LEN1530302~306	2015/02/11	Ruru	Change Logo



Cable ②

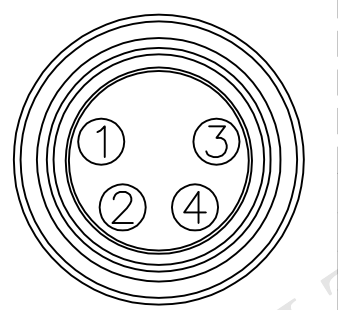
8P-04AFFM-QL5000 ①
Color:Black



8P-04AFFM-QL5AXX
 XX:01~99Meters
 01:01Meter
 02:02Meters
 :
 :
 99:99Meters
 Cable Length(L):01~99Meters



- Notes:
- * ① Important Dimension.
 - * Waterproof Rate: IP65.
 - * Connector: PU, Black
 - * Female Pin: Copper Alloy, Gold Plated.
 - * Cable: UL2464 22AWG*4C+Talcum, PVC Jacket, UV Resistant, OD=5.0mm, Black
 - * Cable Length Tolerance: 01M:±40mm
 02M~05M:±60mm
 06M~10M:±100mm
 11M~30M:±200mm
 31M~99M:±500mm



Pin Assignments
Front View

4	Black	黑
3	Blue	藍
2	White	白
1	Brown	棕
Conn.	Wire Color	
	Pin Out	

UNIT:mm	
TOLERANCE	±0.5 mm

TITLE	M8 Conn	
	Cable Quick 4P F Conn F Pin	
SCALE	Free	SHEET 1 OF 1
REV.	E	SIZE A4
		①:Inspection Item

Amphenol LTW
安費諾亮泰企業股份有限公司

ITEM NO	
DWG NO	8P-04AFFM-QL5AXX
CUSTOMER	ALTW

DRAWN BY	Ruru
CHECKED BY	Rita
APPROVED BY	Lion

DATE	2015/02/11
DATE	2015/02/11
DATE	2015/02/11

THIS DOCUMENT IS SUBJECT TO CHANGE WITHOUT NOTICE. IT IS CONFIDENTIAL AND A PROPERTY OF Amphenol LTW. DISCLOSURE TO THIRD PARTY HAS TO BE AUTHORIZED BY Amphenol LTW.