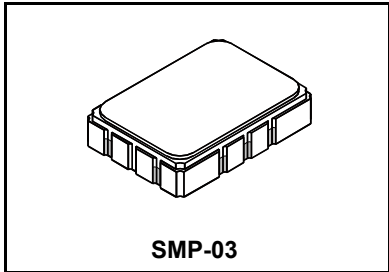


- *Designed for SDARS IF Receiver*
- *Low Insertion Loss*
- *5.0 X 7.0 mm Surface-Mount Case*
- *Differential or Single Ended Input and Output*
- *Complies with Directive 2002/95/EC (RoHS)*
- *Moisture Sensitivity Level: 1*
- *AEC-Q200 Qualified*

RoHS
Compliant

SF2039B

72.540 MHz
SAW Filter



Absolute Maximum Ratings

Rating	Value	Units
Maximum Incident Power in Passband	+10	dBm
Max. DC voltage between any 2 terminals	30	VDC
Storage Temperature Range	-40 to +85	°C
Max Soldering Profile	265°C for 10 s	

Electrical Characteristics

Characteristic	Sym	Notes	Min	Typ	Max	Units	
Nominal Center Frequency	f_C			72.540		MHz	
Passband	Insertion Loss	IL		10.5	12.5	dB	
		1dB Passband	BW_1	3.7	4.0	MHz	
		15dB Bandwidth	BW_{15}		6.5	6.7	MHz
		30dB Bandwidth	BW_{30}		7.5	7.7	MHz
Amplitude Ripple over $f_c \pm 1.85$ MHz				0.5	1.3	dB _{P-P}	
Group Delay Variation over $f_c \pm 1.85$ MHz		GDV		60	150	ns _{P-P}	
Rejection	50 to 66.48 MHz		40	47		dB	
		66.48 to 68.08 MHz	38	43			
		77.30 to 78.60 MHz	38	42			
		78.60 to 86.50 MHz	40	44			
		86.50 to 91.50 MHz	45	50			
	91.50 to 100.00 MHz		45	55			
Operating Temperature Range	T_A		-40		+85	°C	
Frequency Temperature Coefficient	FTC			-18		ppm/°C	
Differential Input			175 ohms				
Differential Output			1000 ohms				
Case Style			SMP-03 7 x 5 mm Nominal Footprint				
Lid Symbolization (YY=year, WW=week, S=shift)			RFM, SF2039B, YYWWS				

Electrical Connections

Connection	Terminals
Port 1 Hot	10
Port 1 Ground Return	1
Port 2 Hot	5
Port 2 Ground Return	6
Case Ground	All Others



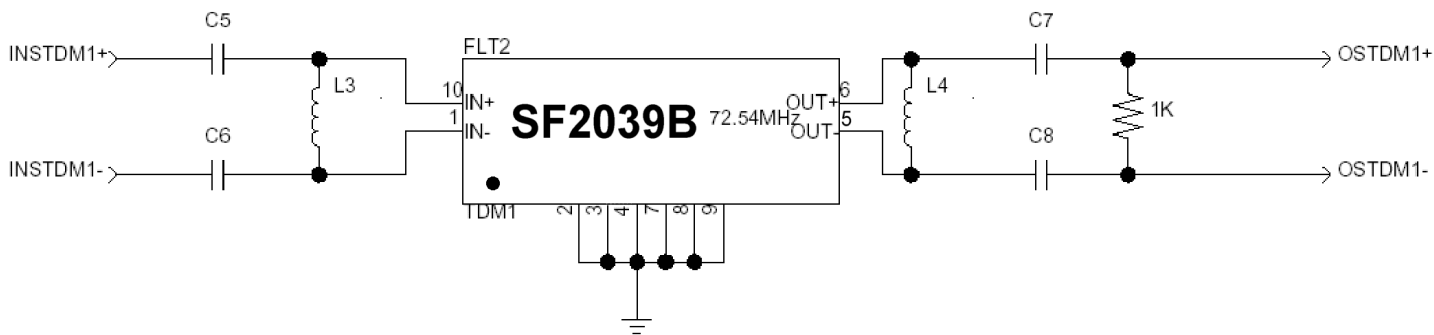
CAUTION: Electrostatic Sensitive Device. Observe precautions for handling.

NOTES:

1. The design, manufacturing process, and specifications of this device are subject to change.
2. US or International patents may apply.
3. RoHS compliant from the first date of manufacture.

Matching Circuit and Matching Component Values Used in G3 Sirius Radios

(Refer to Sirius Radio G3 Chipset Application Note, Doc. #RX000104-B, Sec. 4.2.3)

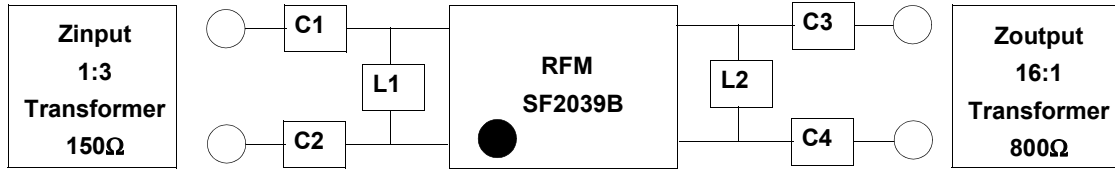


TDM1 Narrowband SAW Matching Circuit

TDM1 Narrowband SAW Matching Values

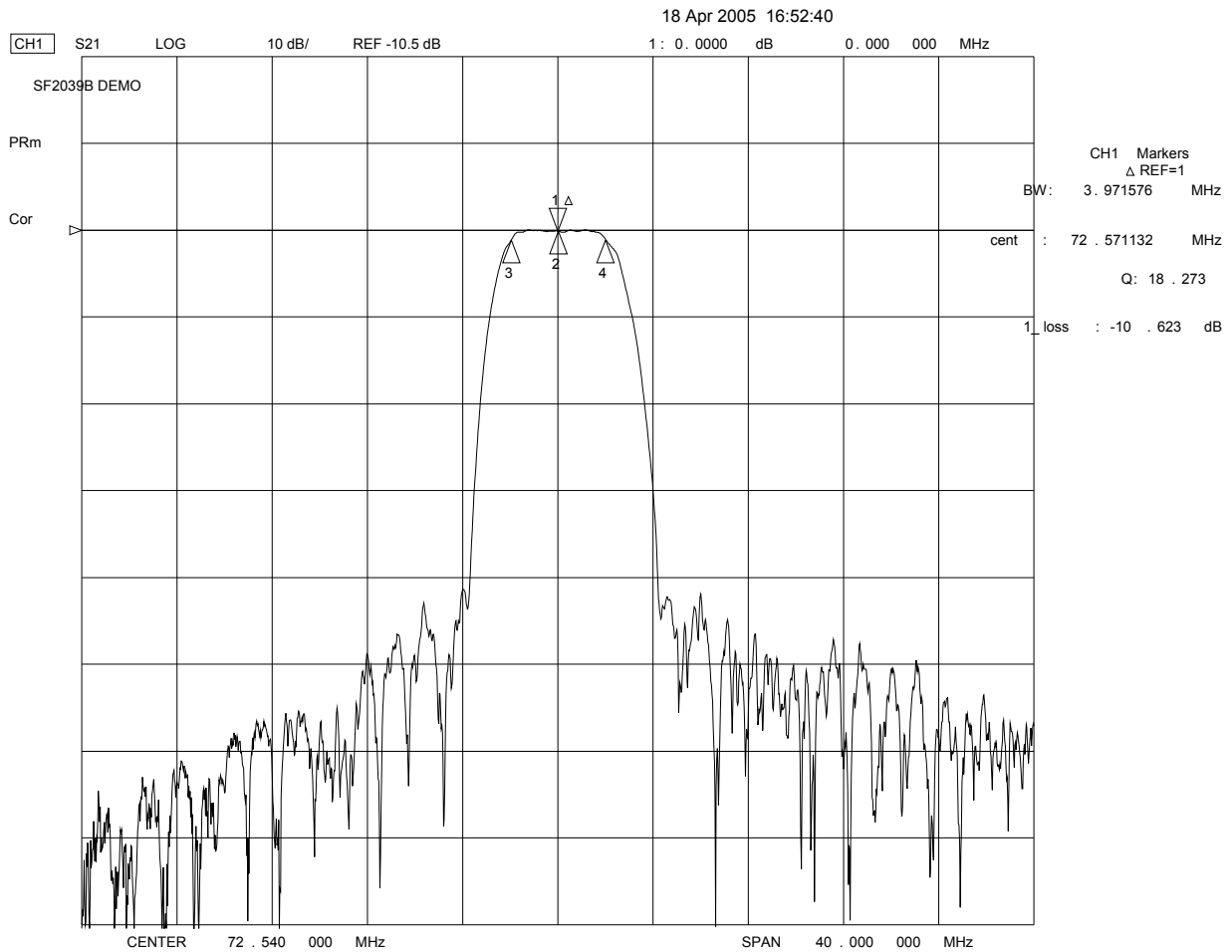
Reference Designator	Value
C5	10 pF
C6	10 pF
L3	330 nH
L4	560 nH
C7	100 pF
C8	100 pF

Matching Circuit and Matching Component Values Used on Filter Demo Board

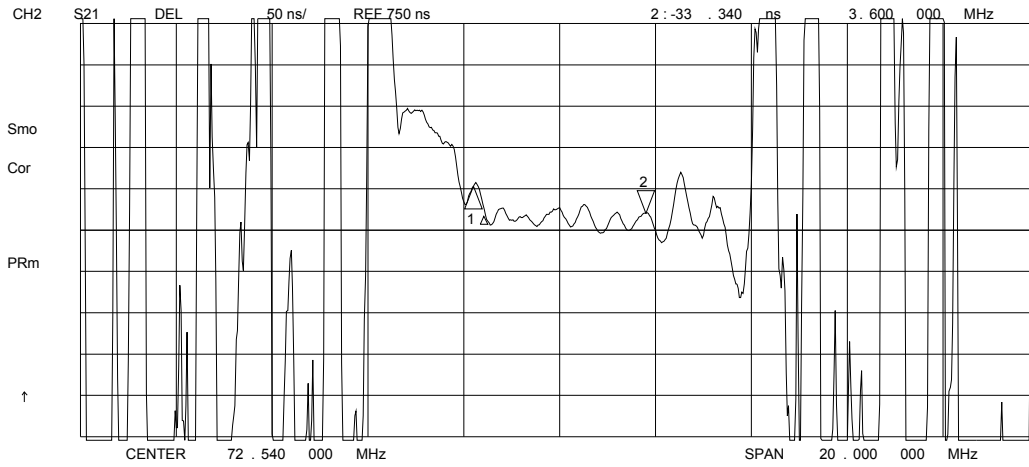
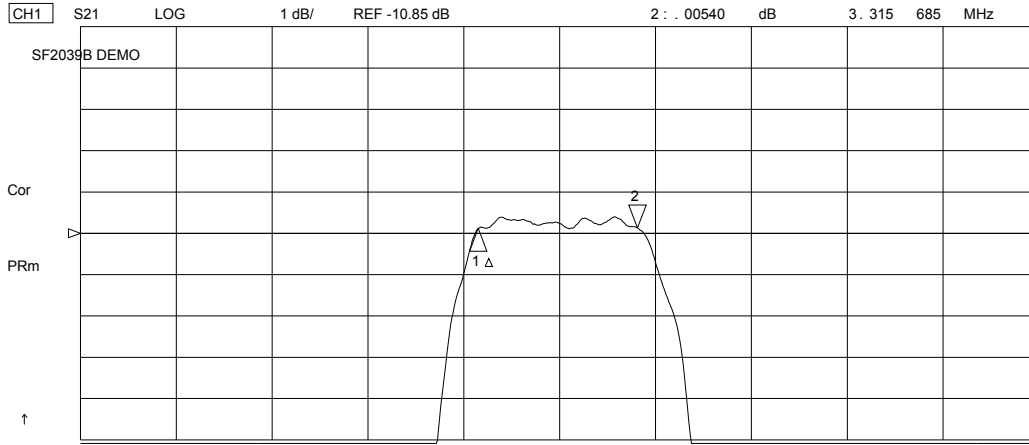


SF2039B
72.540 MHz

C1 = 10pF
C2 = 10pF
L1 = 330nH
L2 = 390nH
C3 = 18pF
C4 = 18pF



18 Apr 2005 16:59:10



18 Apr 2005 17:02:37

CH1 S11 1 UFS

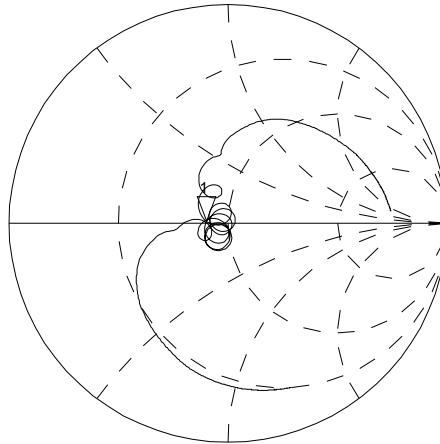
1: 41.178 Ω 0.9043 Ω 1.9840 nH 72.540 000 MHz

SF2039B DEMO

Cor

PRm

↑



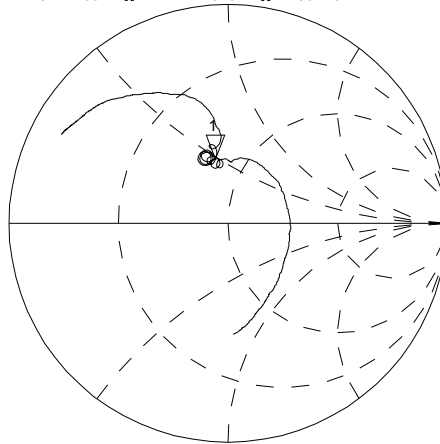
CH2 S22 1 UFS

1: 37.799 Ω 24.313 Ω 53.342 nH 72.540 000 MHz

Cor

PRm

↑



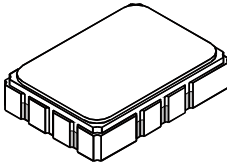
CENTER 72.540 000 MHz

SPAN 20.000 000 MHz

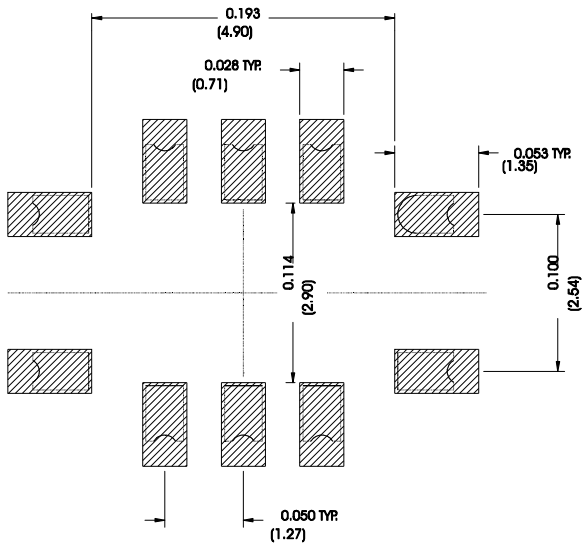
SMP-03 Case

10-Terminal Ceramic Surface-Mount Case

7 x 5 mm Nominal Footprint



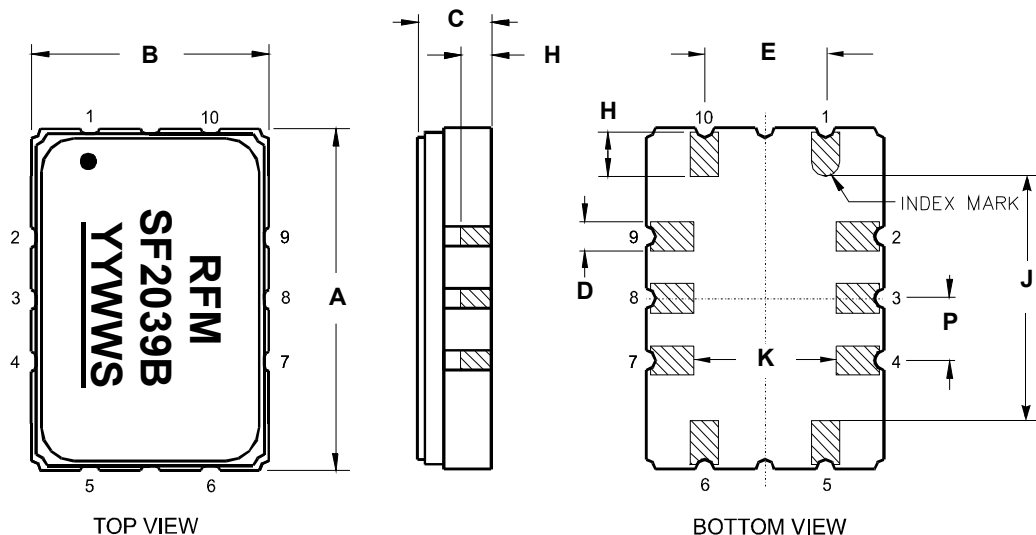
Recommended PCB Footprint



Case Dimensions						
Dimension	mm			Inches		
	Min	Nom	Max	Min	Nom	Max
A	6.80	7.00	7.20	0.268	0.276	0.283
B	4.80	5.00	5.20	0.189	0.197	0.205
C		1.65	2.00		0.065	0.079
D	.47	0.60	.73	0.019	0.024	0.029
E	2.41	2.54	2.67	0.095	0.100	0.105
H	0.87	1.0	1.13	0.034	0.039	0.044
J	4.87	5.00	5.13	0.192	0.197	0.202
K	2.87	3.00	3.13	0.113	0.118	0.123
P	1.14	1.27	1.40	0.045	0.050	0.055

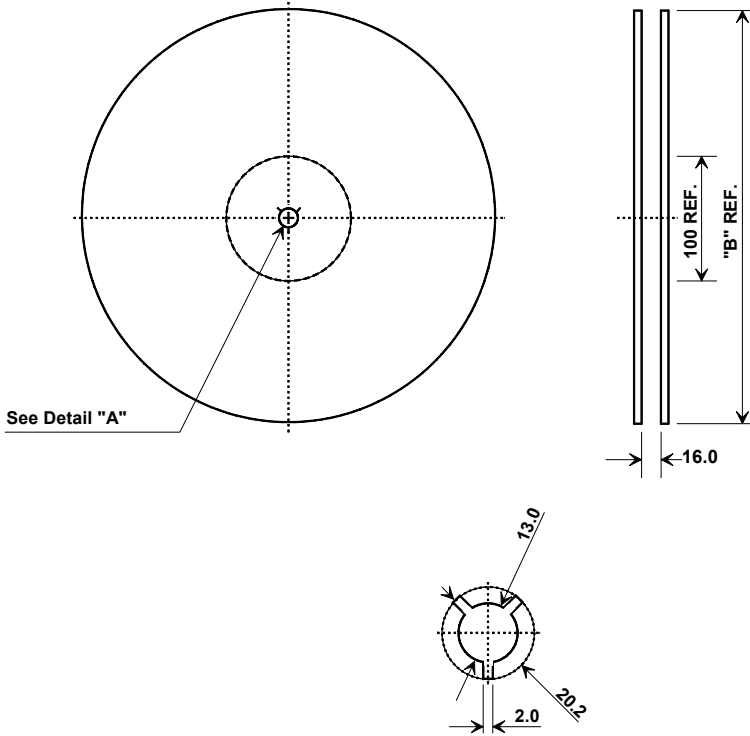
Materials	
Solder Pad Termination	Au plating 30 - 60 ulnches (76.2-152 uM) over 80-200 ulnches (203-508 uM) Ni.
Lid	Fe-Ni-Co Alloy Electroless Nickel Plate (8-11% Phosphorus) 100-200 ulnches Thick
Body	Al ₂ O ₃ Ceramic

Electrical Connections		
Connection		Terminals
Port 1	Input or Return	10
	Return or Input	1
Port 2	Output or Return	5
	Return or Output	6
Ground		All others
Single Ended Operation		Return is ground
Differential Operation		Return is hot



Tape and Reel Specifications

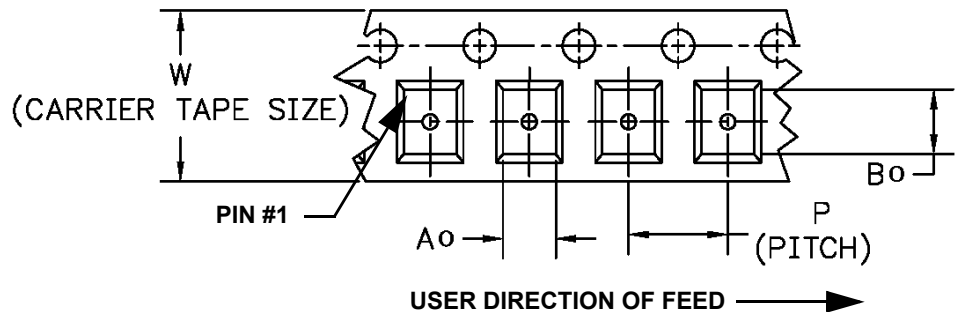
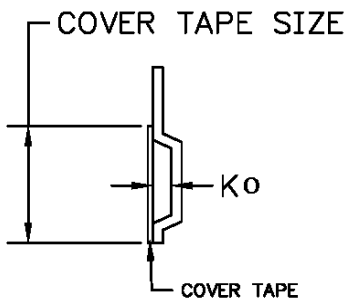
Tape and Reel Standard per ANSI/EIA-481



"B"		Quantity Per Reel
Inches	millimeters	
7	178	500
13	330	2000

COMPONENT ORIENTATION and DIMENSIONS

Carrier Tape Dimensions	
Ao	5.5 mm
Bo	7.5 mm
Ko	2.0 mm
Pitch	8.0 mm
W	16.0 mm



Recommended Reflow Profile

1. Preheating shall be fixed at 150~180°C for 60~90 seconds.
2. Ascending time to preheating temperature 150°C shall be 30 seconds min.
3. Heating shall be fixed at 220°C for 50~80 seconds and at 260°C+0/-5°C peak (10 seconds).
4. Time: 5 times maximum.

