

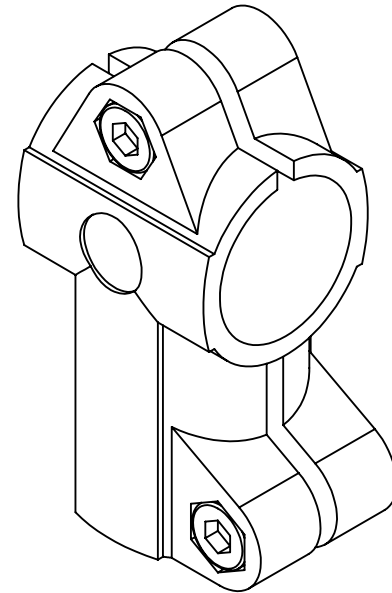
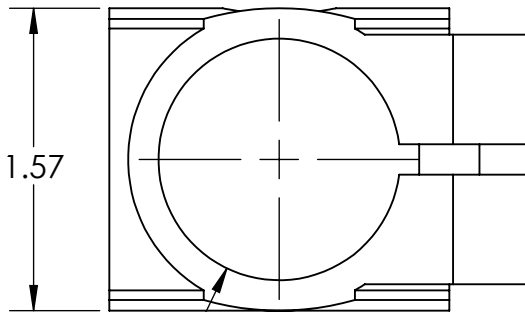
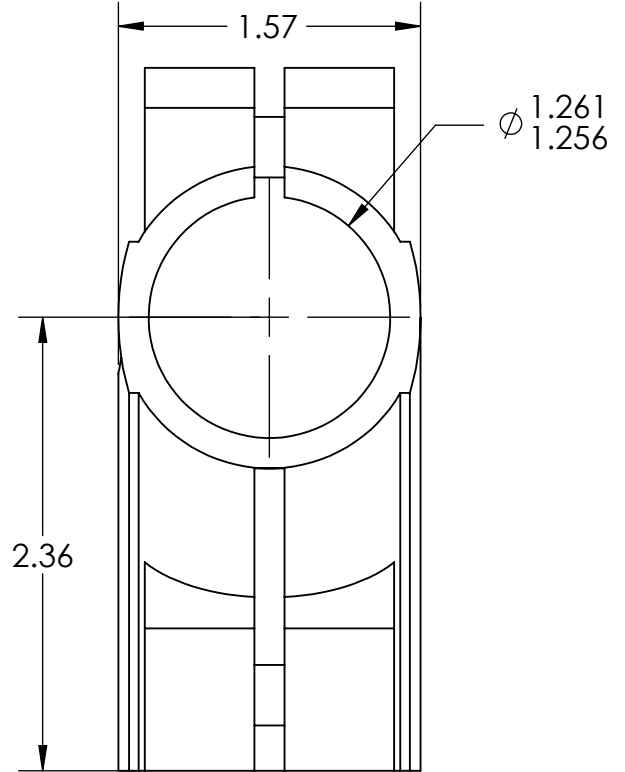
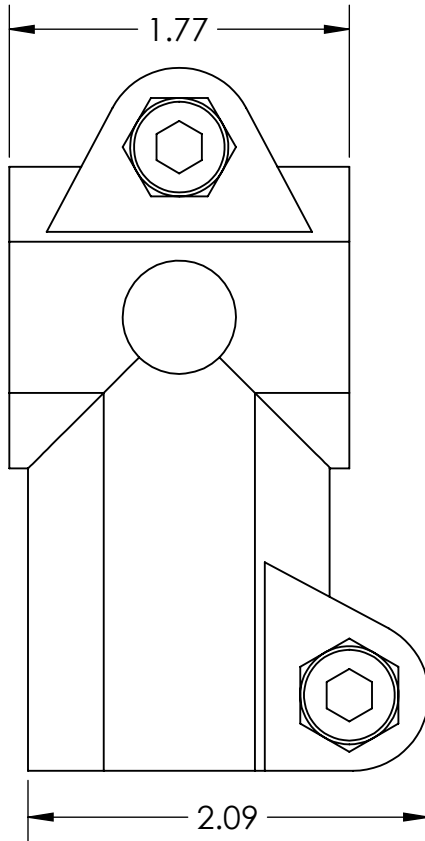
REVISION HISTORY-- ALL SHEETS ARE THE SAME REVISION STATUS

REV	DESCRIPTION	DATE	APPROVED
-----	-------------	------	----------

REV A

SH 1 of 1

DWG NO RAA.1212 113000009200

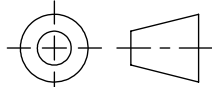


CONFIDENTIAL

© 2016 Phoenix Mecano Inc. This drawing is the property of Phoenix Mecano Inc. and embodies confidential information, trade secret information, and/or know-how which is the property of Phoenix Mecano Inc. By accepting this drawing, the recipient agrees not to provide, or otherwise make available, the drawing, or any information or know-how embodied therein, to any third party without prior written authorization.

UNLESS OTHERWISE SPECIFIED
DIM ARE IN INCHES
TOLERANCE:
ANGLE $\pm .5^\circ$
1 PL $\pm .030$
2 PL $\pm .010$
3 PL $\pm .005$
INTERPRET DIM AND TOL PER
ASME Y14.5M-1994

THIRD ANGLE PROJECTION



DRAWN **Chi Pong**

APPROVED

APPROVED

TITLE

RK Clamp Catalog Drawing

Phoenix Mecano Inc.
7330 Executive Way
Frederick, MD 21704
(301) 696-9411 voice
(301) 696-9494 fax



SIZE A	CAGE CODE 1L9R7	DWG NO RAA.1212 113000009200	REV A
SCALE NTS	DATE 7/14/2016	SHEET 1 of 1	