

RK Monitor Mounting

Industry grade with universal
or VESA interface



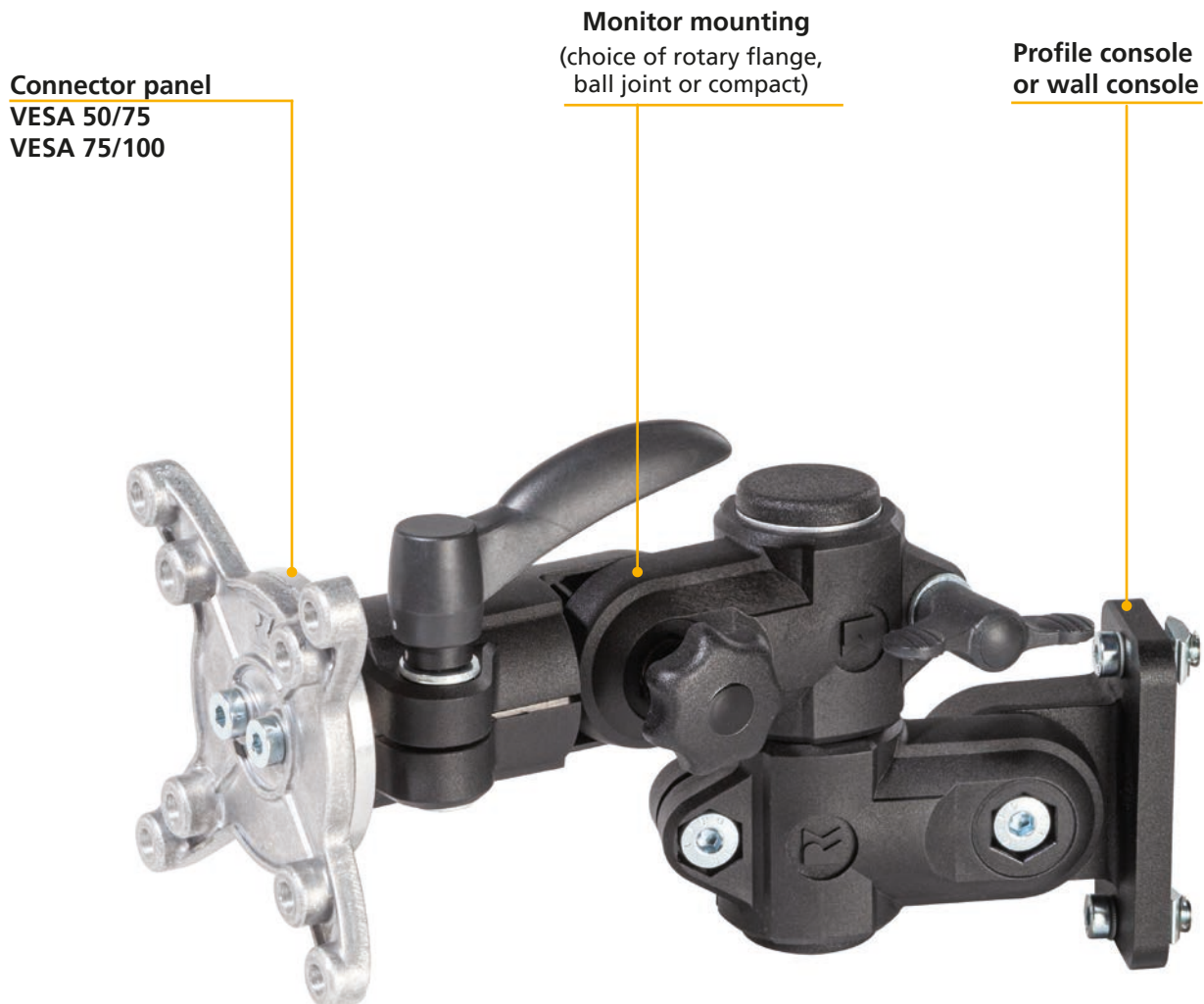
RK Monitor Mounting

All purpose mounting for monitors, touch panels and operating units

This mounting for monitors, touch panels and other operating units is flexible, offers many degrees of freedom and thus can be used universally. Due to compatibility to RK Connecting Technology as well to the RK Profile System most different connections are realizable.

Ideal range of applications:

- ✓ General industrial applications
- ✓ Plants and machines
- ✓ Control centers
- ✓ Ergonomic work stations



Features

- Choice of user-specific or VESA-standard monitor connection
- High-strength materials guarantee a long-term load-bearing capacity of up to 25 kg, for reliable processes
- Highly ergonomic thanks to personalised height adjustment
- Optimum adjustment of the field of vision thanks to side-turning
- rotary flange and ball joint:
 - vibration-proof locking in 15° increments
- compact: fixing principle with half shells (suitable for retrofitting and extensions) reducing bushes available (round or square 20, 25, 30mm)
- Connects to aluminium profile, and thus also to the machine frame using slot stones
- Universal mounting holes facilitate simple wall mounting

Table of contents

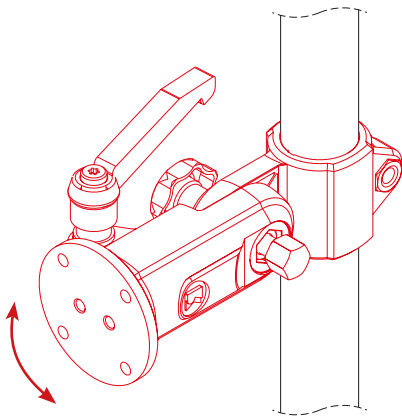
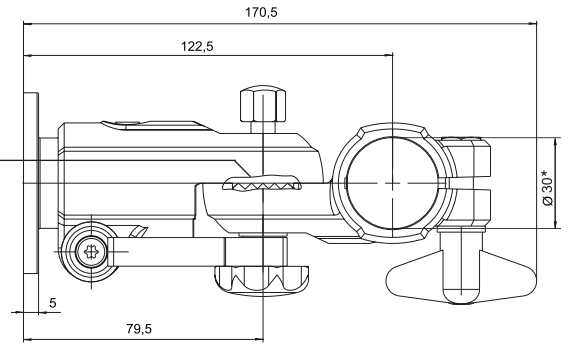
| | |
|---------------------|----------------------------------------------------------------------------------------------------------------------------------------------------------------------------------------------------------------------------------------------------------------------------------------------------------------------------------------------------------------------------------------------------------------------------------------------------------------------------------------------------------------------------------|
| Versions | <ul style="list-style-type: none"> ■ Rotary flange monitor mounting S. 4 ■ Ball joint monitor mounting S. 4 ■ Monitor mounting compact..... S. 5 |
| Fixing | <ul style="list-style-type: none"> ■ Wall console S. 6 ■ Profile console..... S. 6 ■ Support arm single..... S. 7 ■ Support arm double S. 8 ■ Support arm double height adjustable. S. 9 ■ Support arm telescope..... S.10 ■ Support arm telescope height adjustable. ... S. 12 |
| Modules | <ul style="list-style-type: none"> ■ Monitor floor stand adjustable S. 14 |
| Accessories | <ul style="list-style-type: none"> ■ Adaptor plate VESA 50/75 S. 18 ■ Adaptor plate VESA 75/100 S. 18 ■ Keyboard tray S. 19 ■ Tablet holder S. 20 ■ Smartphone holder S. 21 ■ Lockable steering roller S.22 ■ Vario-Quick holding block S. 22 ■ Reducing bushes S. 23 ■ Reducing inserts S. 23 ■ Clamping lever S. 24 ■ Cable straps with velcro..... S. 24 |
| Applications | <ul style="list-style-type: none"> ■ Monitor Mounting S. 24 |

RK Monitor Mounting / Versions

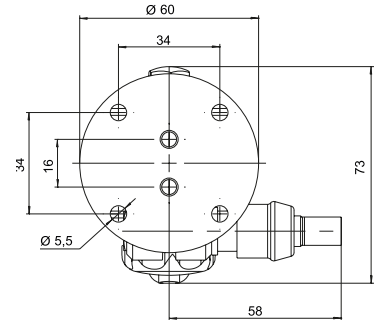
Rotary flange monitor mounting



Locking in 15° - steps



90°



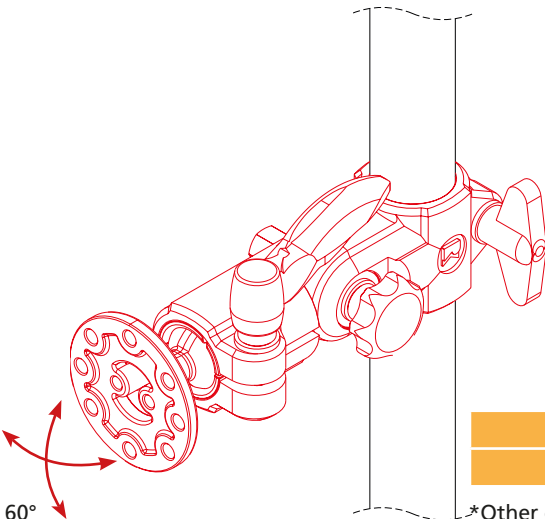
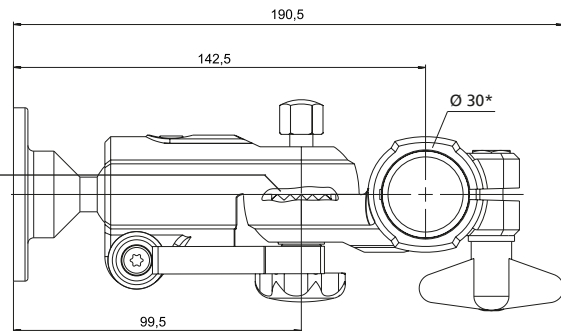
| Code No. | Weight | max. load |
|--------------|--------|-----------|
| 193000030C11 | 370 g | 25 kg |

*Other cross-sections by reducing bushes (see page Seite 23)

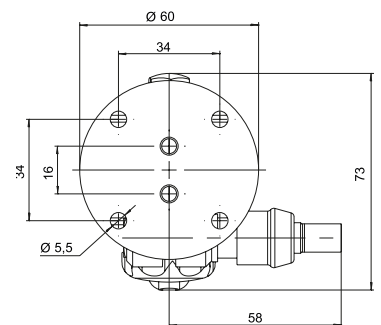
Ball joint monitor mounting



Locking in 15° - steps



60°

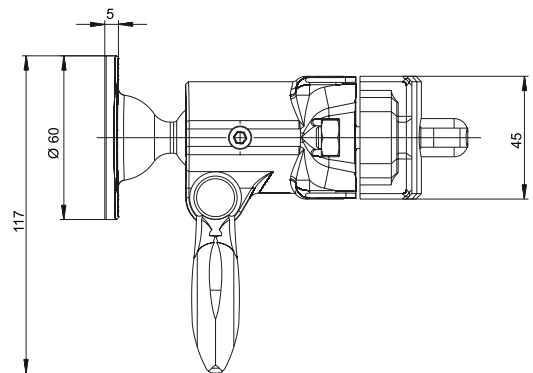
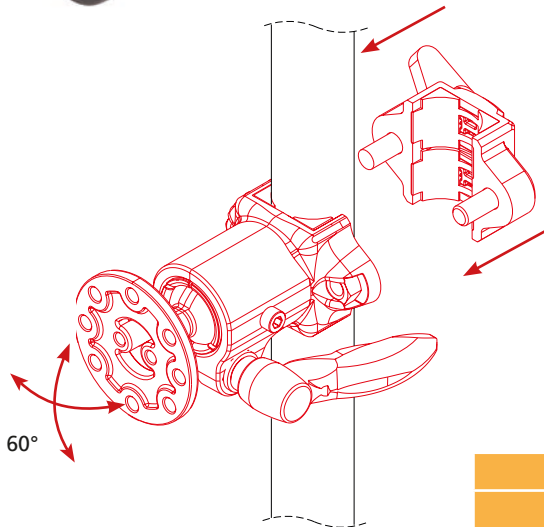
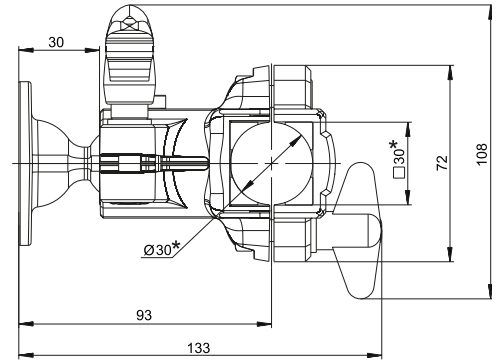
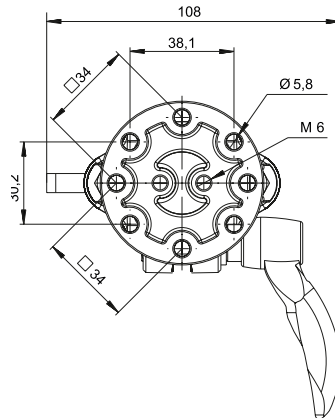


| Code No. | Weight | max. load |
|--------------|--------|-----------|
| 193000042C11 | 342 g | 10 kg |

*Other cross-sections by reducing bushes (see page Seite 23)



Monitor mounting compact



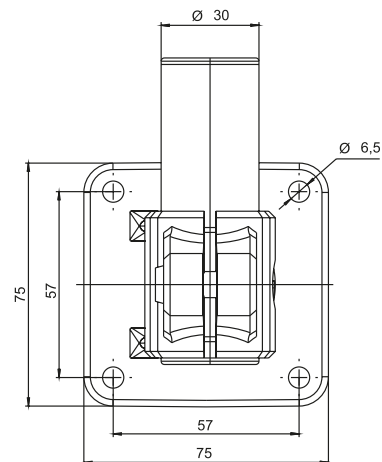
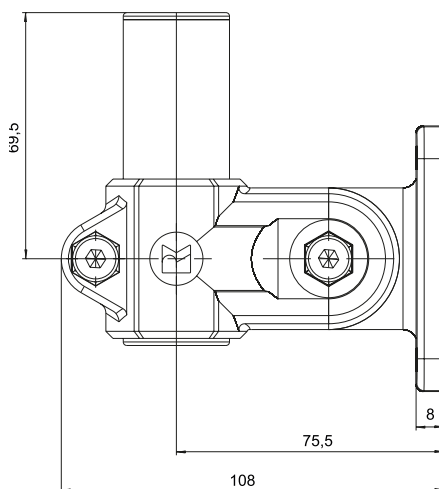
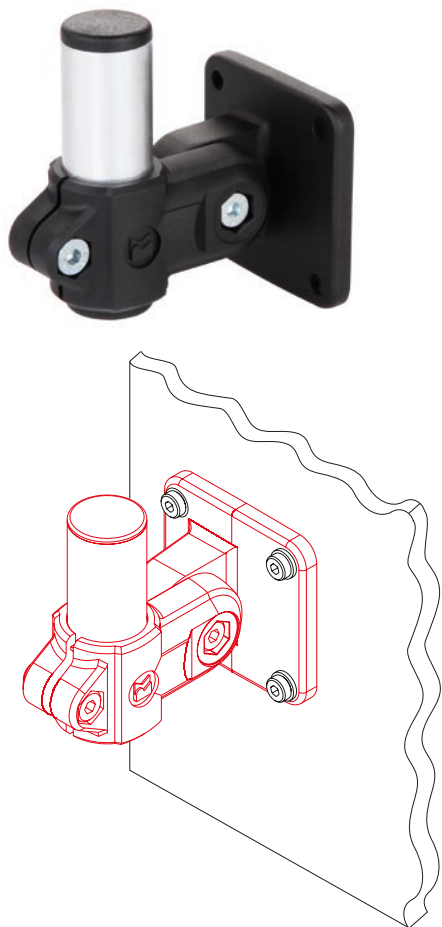
| Code No. | Weight | max. load |
|--------------|--------|-----------|
| 193000052C11 | 290 g | 10 kg |

*Other cross-sections by reducing inserts (see pageSeite 23)



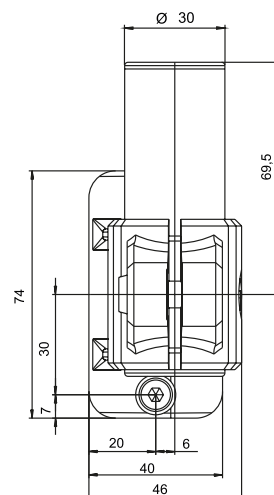
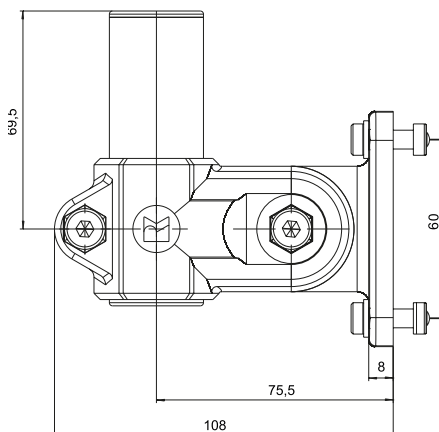
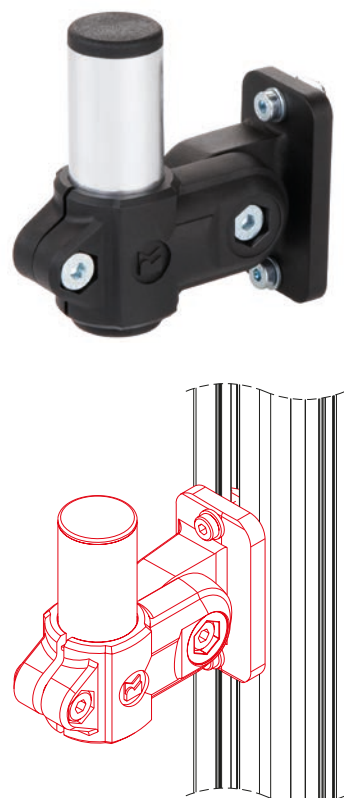
RK Monitor Mounting / Fixing

Wall console



| Code No. | Weight |
|--------------|--------|
| 193000358C66 | 306 g |

Profile console



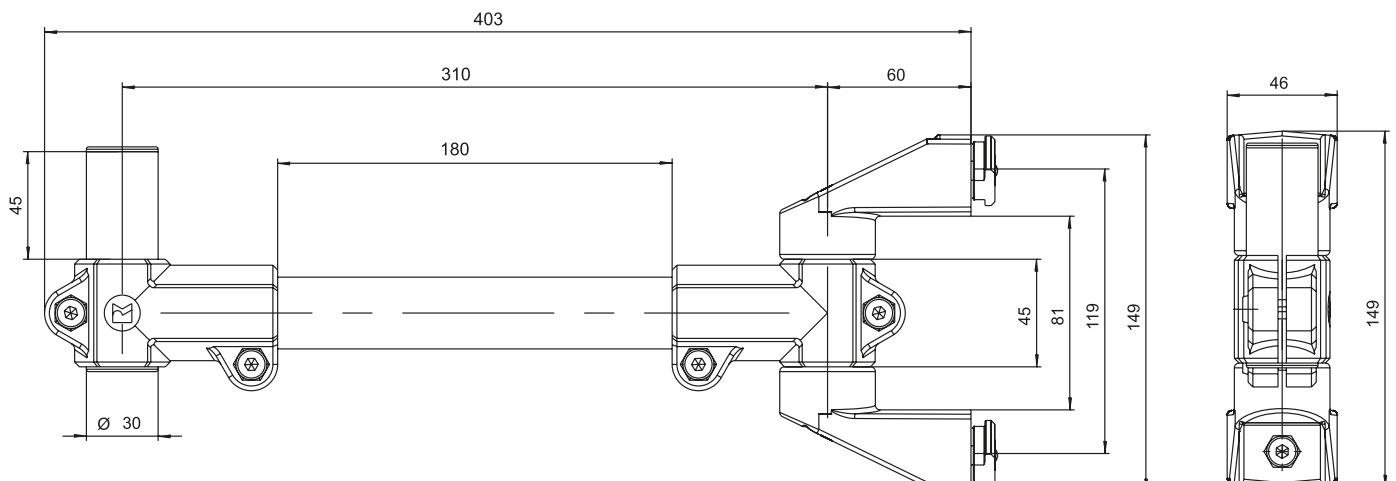
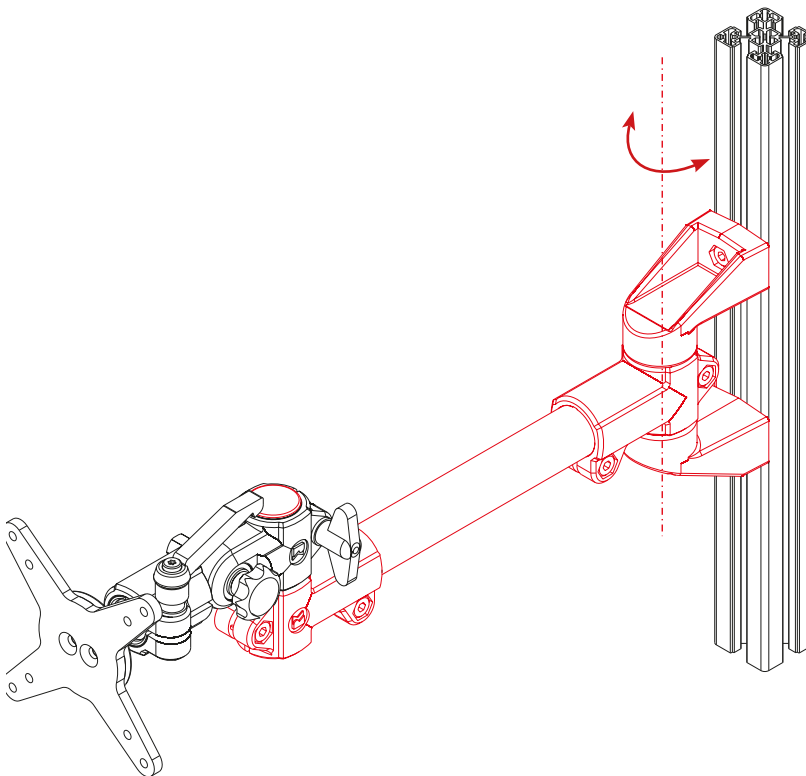
Includes:
Complete with fixing set for
slot geometry 40

| Code No. | Weight |
|--------------|--------|
| 193000298C66 | 270 g |



Support arm single

Includes:
Complete with fixing set for
slot geometry 40



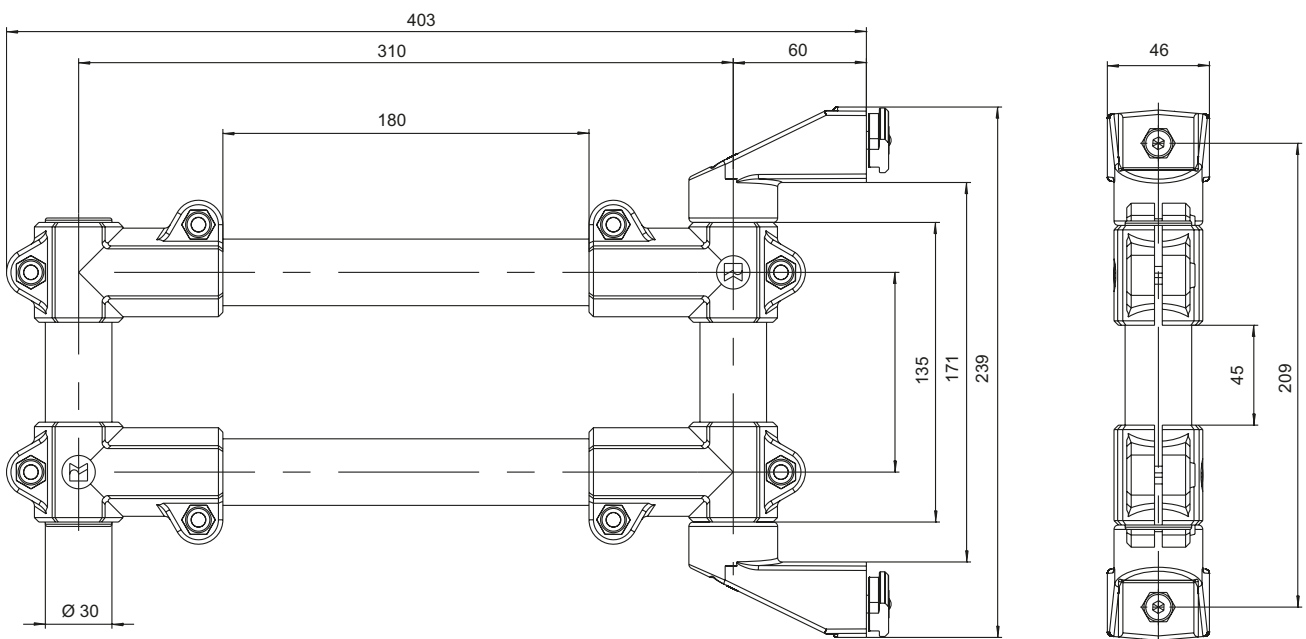
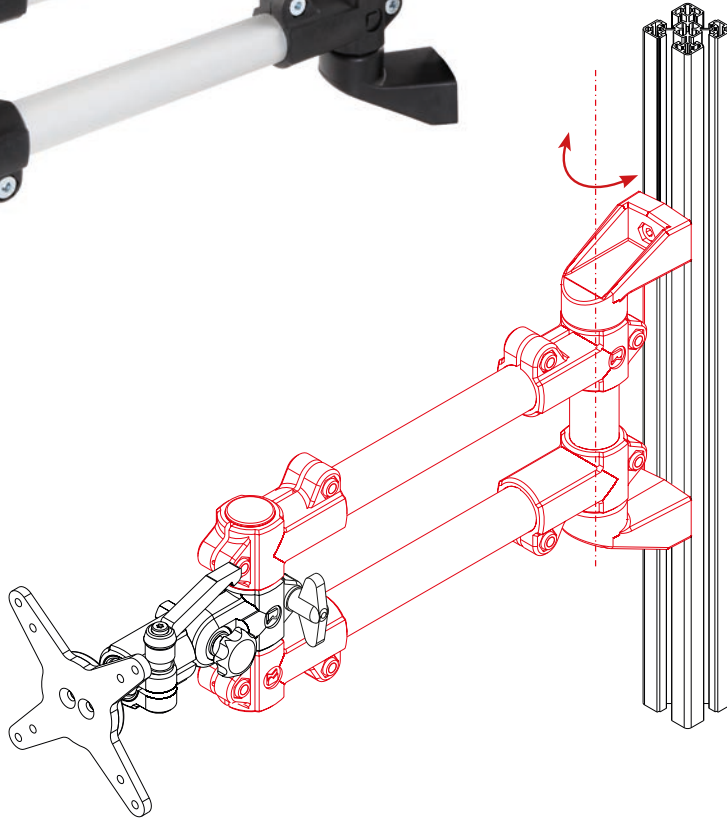
| Code No. | Weight | max. load |
|--------------|--------|-----------|
| 193000018C66 | 610 g | 10 kg |

RK Monitor Mounting / Fixing

Support arm double

Includes:

Complete with fixing set for slot geometry 40

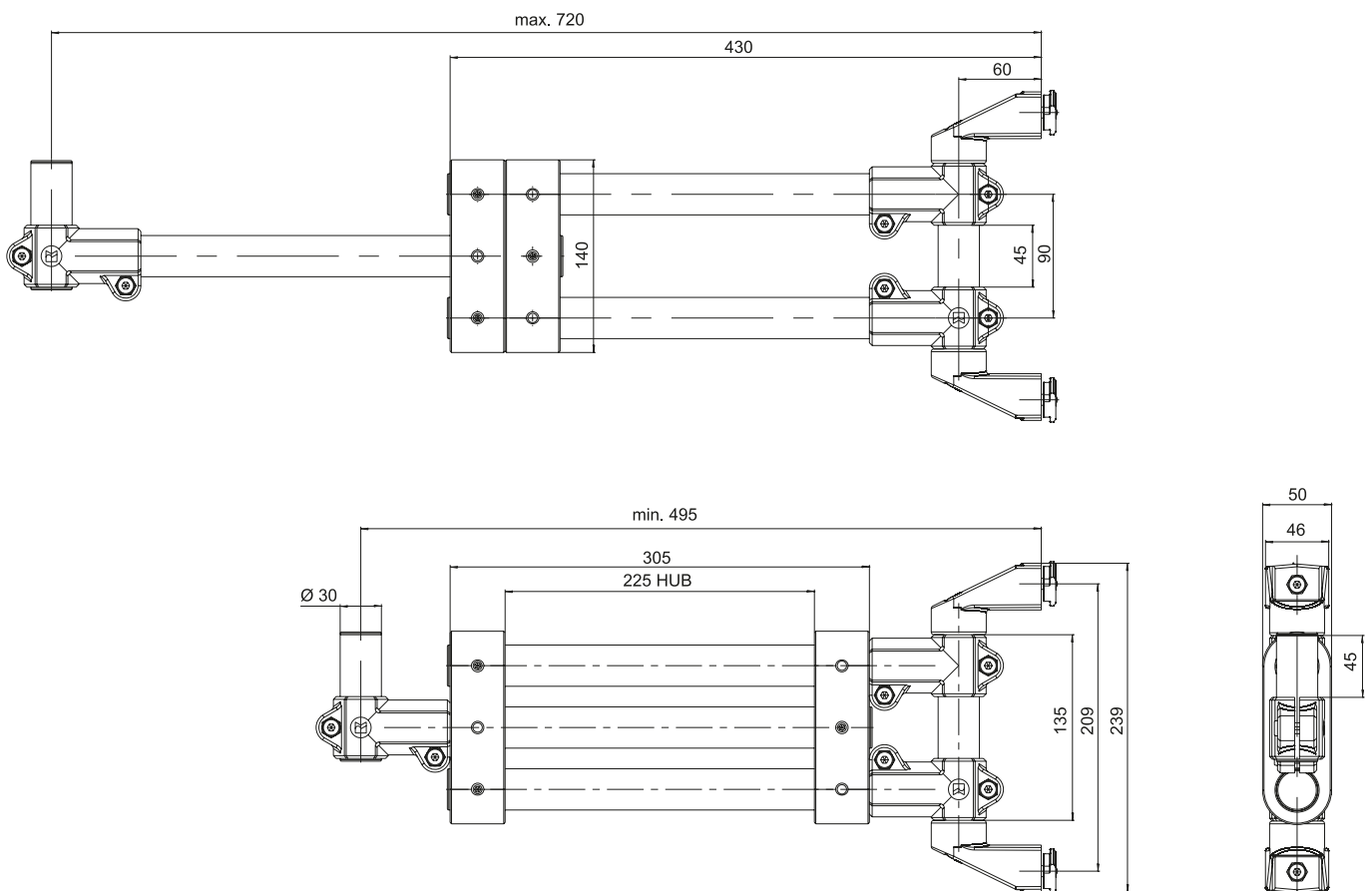
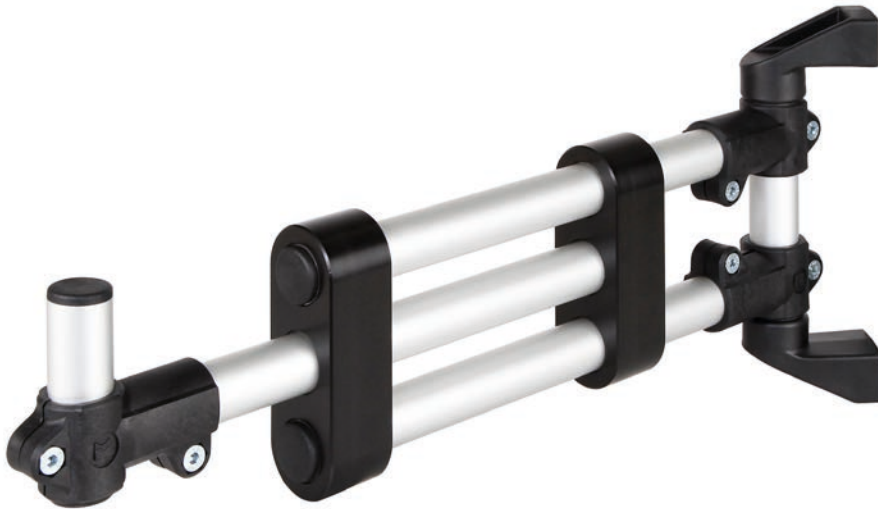


| Code No. | Weight | max. load |
|--------------|--------|-----------|
| 193000028C66 | 1030 g | 25 kg |

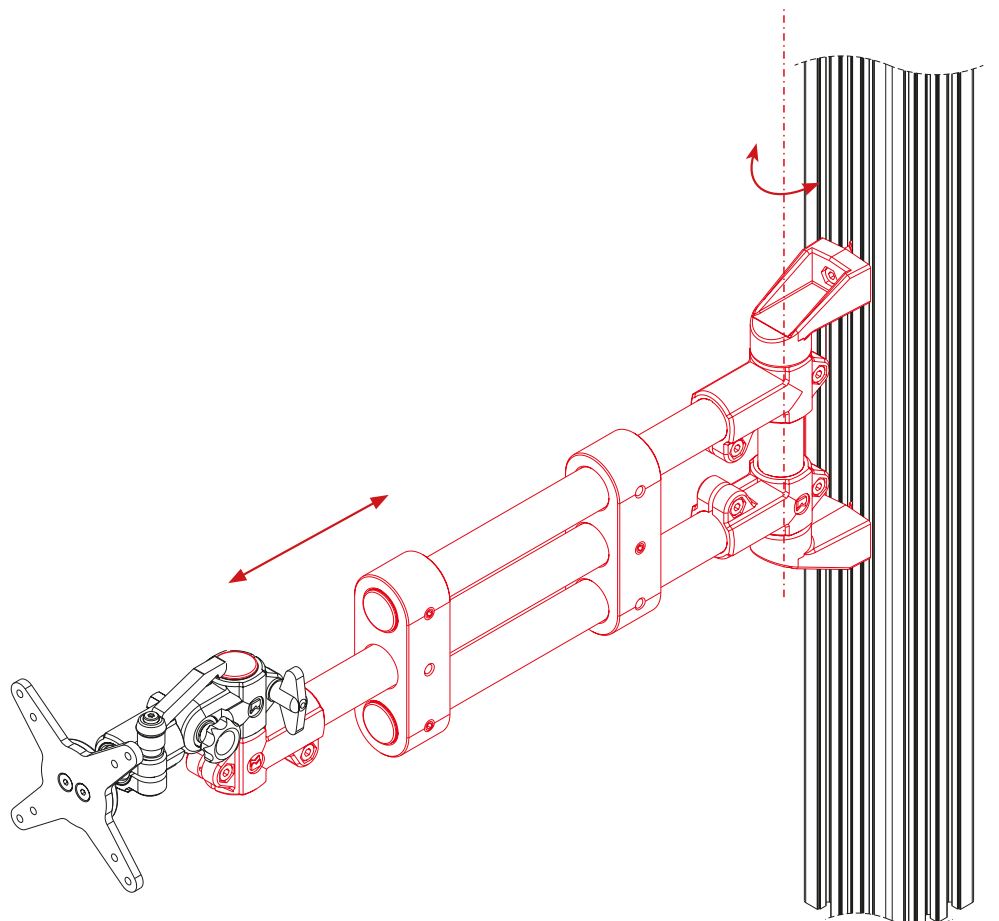
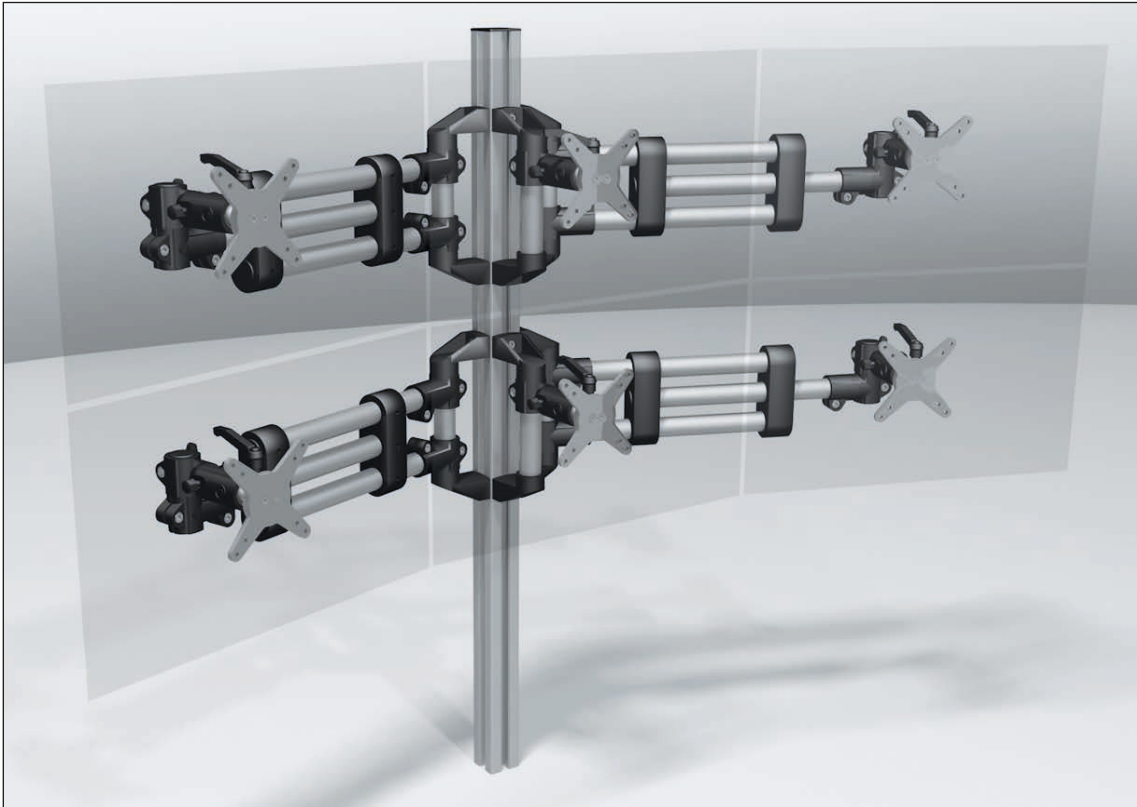
RK Monitor Mounting / Fixing

Support arm telescope

Includes:
Complete with fixing set for
slot geometry 40



| Code No. | Weight | max. load |
|--------------|--------|-----------|
| 193000048C66 | 1610 g | 5 kg |



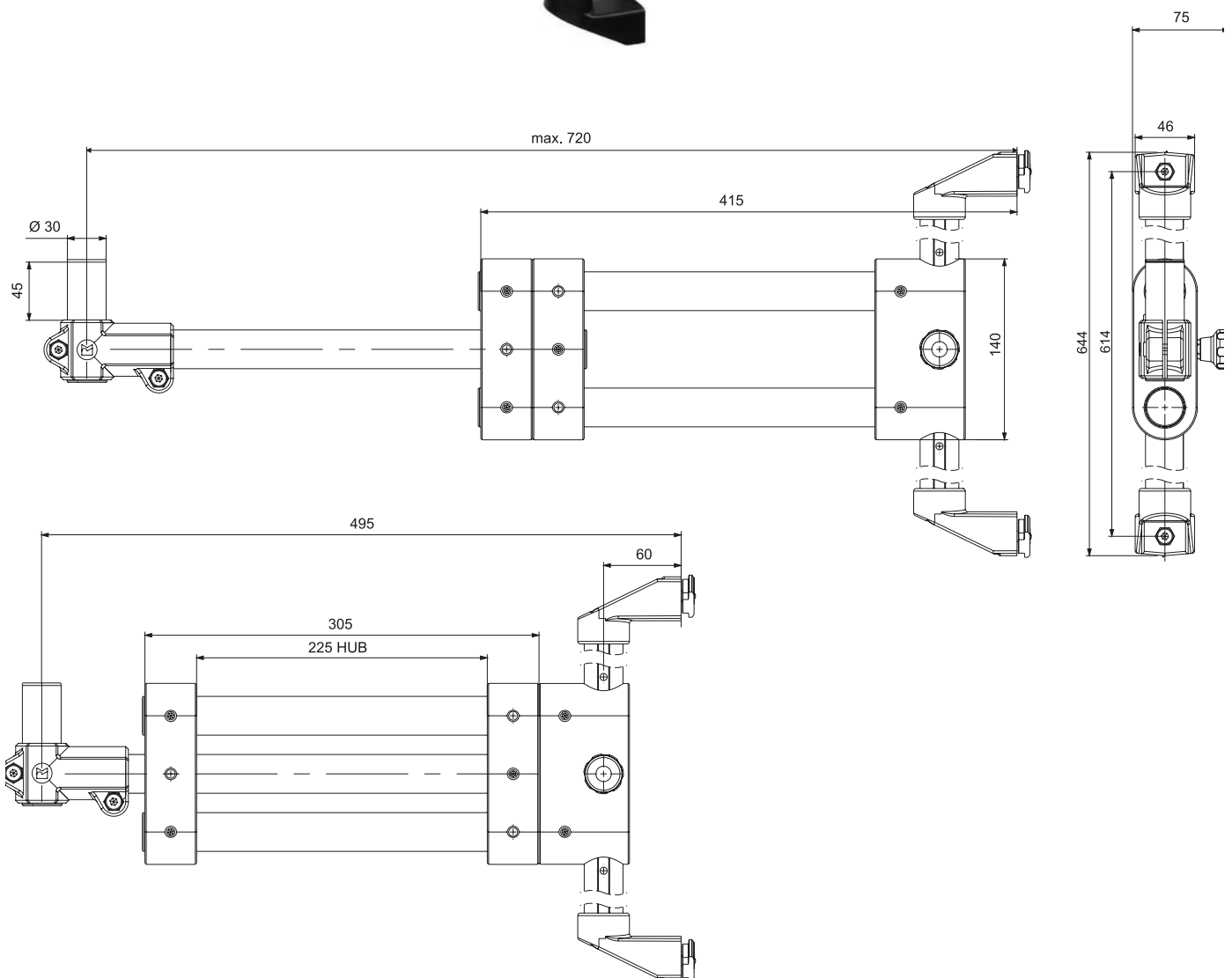
RK Monitor Mounting / Fixing

Support arm telescope
height adjustable

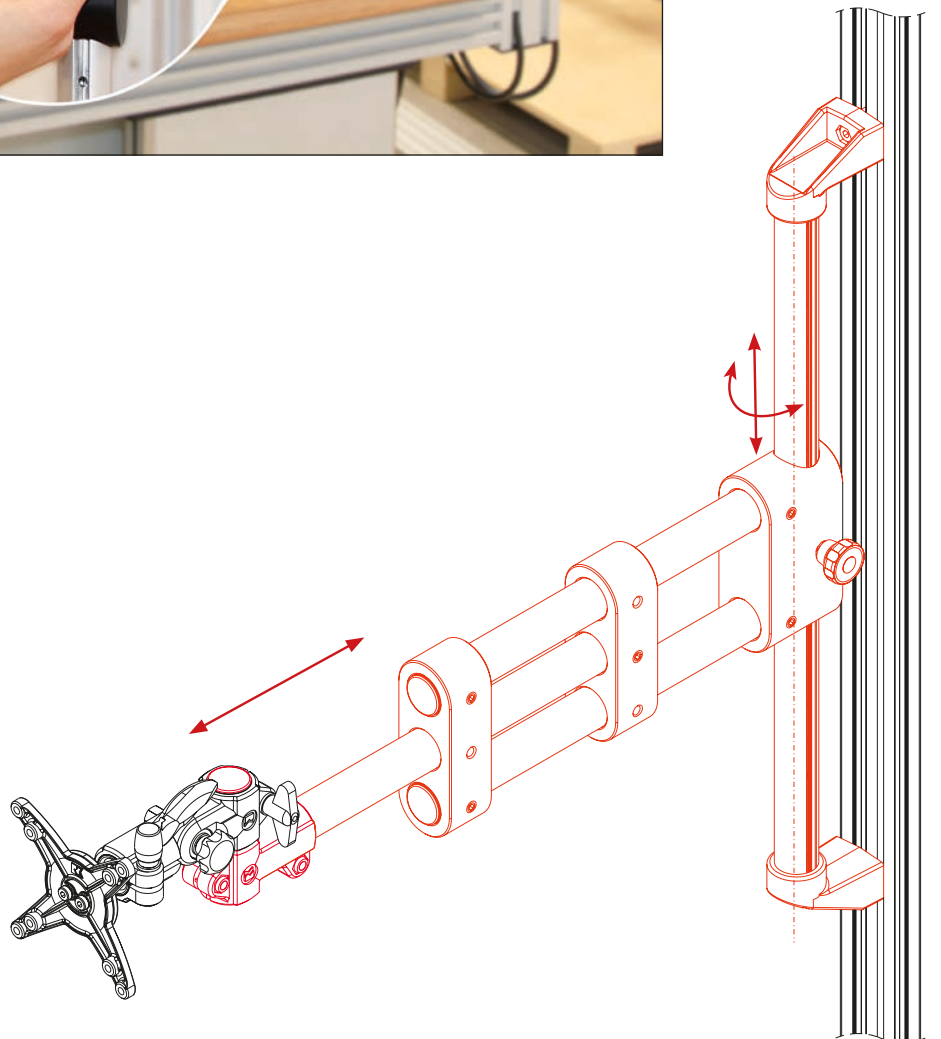
Includes:
Complete with fixing set for
slot geometry 40

Features:

- Travel 400mm max. (30 mm steps)
- Toolless manual adjustment
- Safe locking by a spring-loaded stop bolt



| Code No. | Weight | max. load |
|-------------|--------|-----------|
| 19300058C66 | 2640 g | 5 kg |



RK Monitor Mounting / Modules

Monitor floor stand adjustable

Delivery includes:

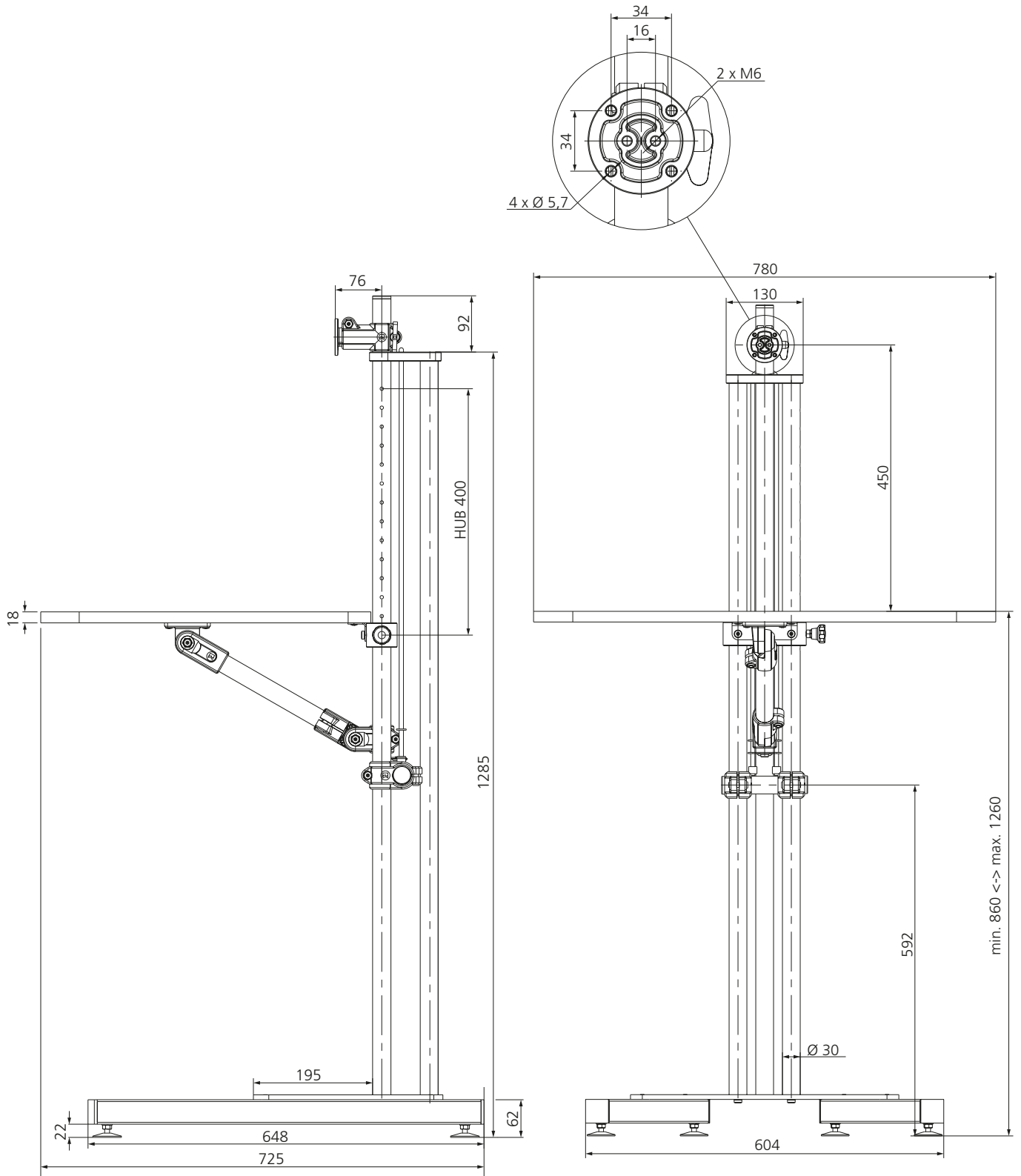
- pre-assembled kit

Features:

- Travel 400mm max. (31mm steps)
- Manual adjustment without tools of the work surface with tie rod support

- Safe locking of the height adjustment by spring-loaded locking bolt
- Stable construction with adjustable feet, optionally with swivel castors (page 21)
- Coated working surface (0,30m²)
- Integrated cable channel
- Mounting for monitor pre-assembled, optionally combinable with all RK monitor mountings

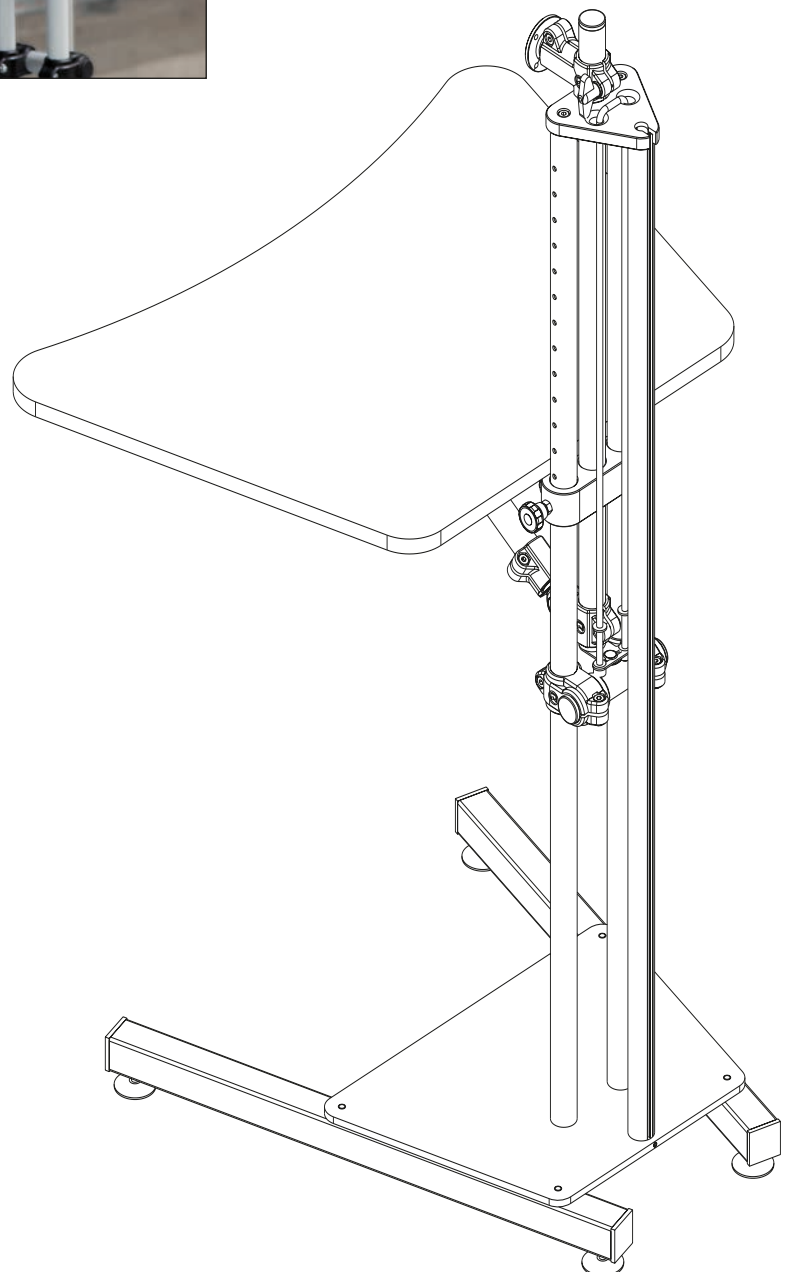




| Code No. | Weight |
|--------------|---------|
| 193000078C66 | 22.2 kg |

RK Monitor Mounting / Modules

Monitor floor stand adjustable





Height adjustment for monitors



Cable guide



Height adjustment
table top (locking bolt)



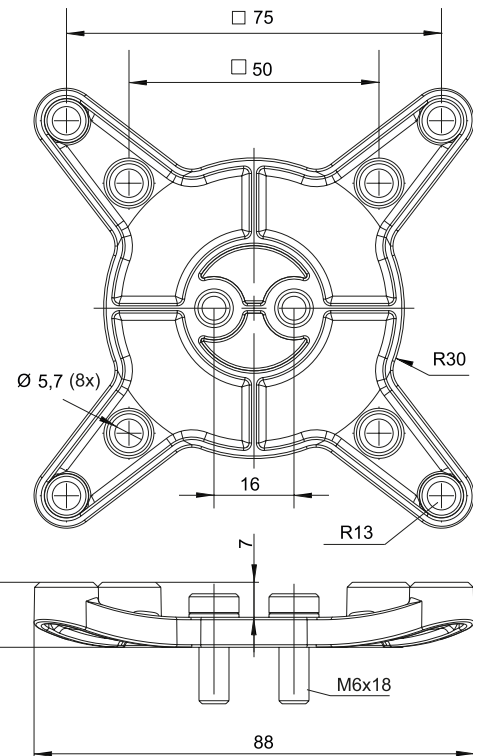
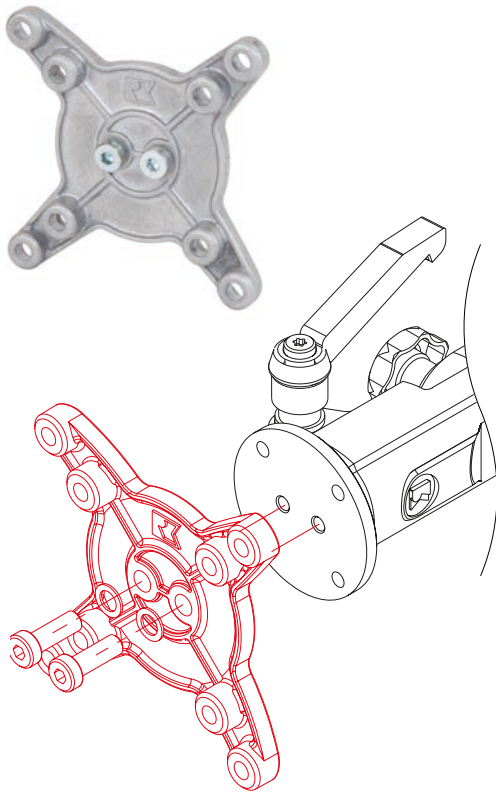
Optional: Lockable swivel castor (page 21)



Tie rod

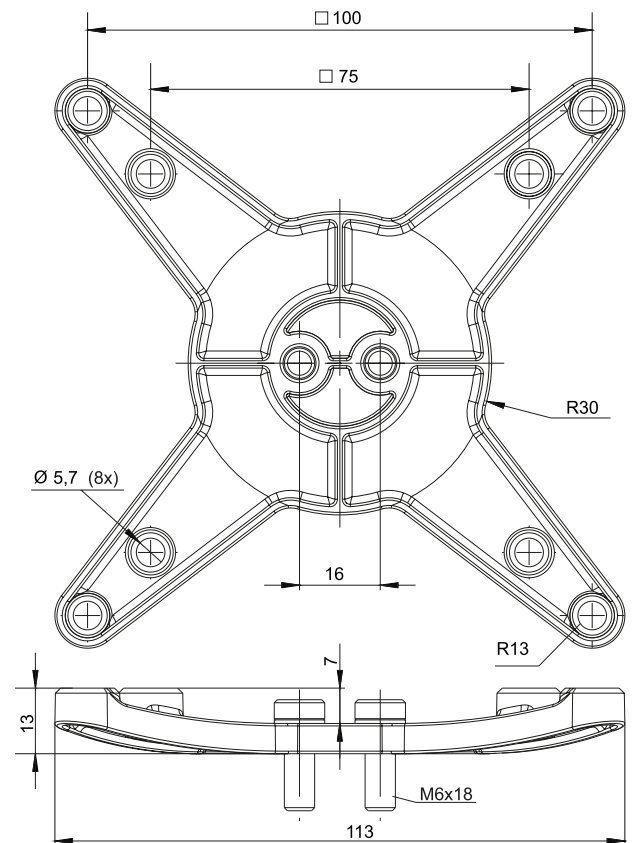
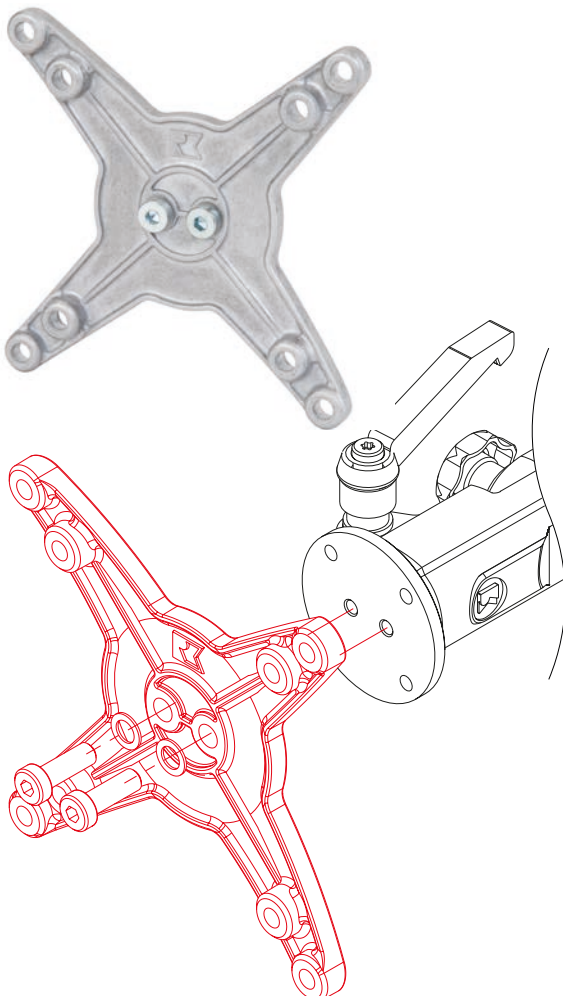
RK Monitor Mounting / Accessories

Adaptor plate VESA 50/75



| Code No. | Weight |
|----------|--------|
| 94372 | 67 g |

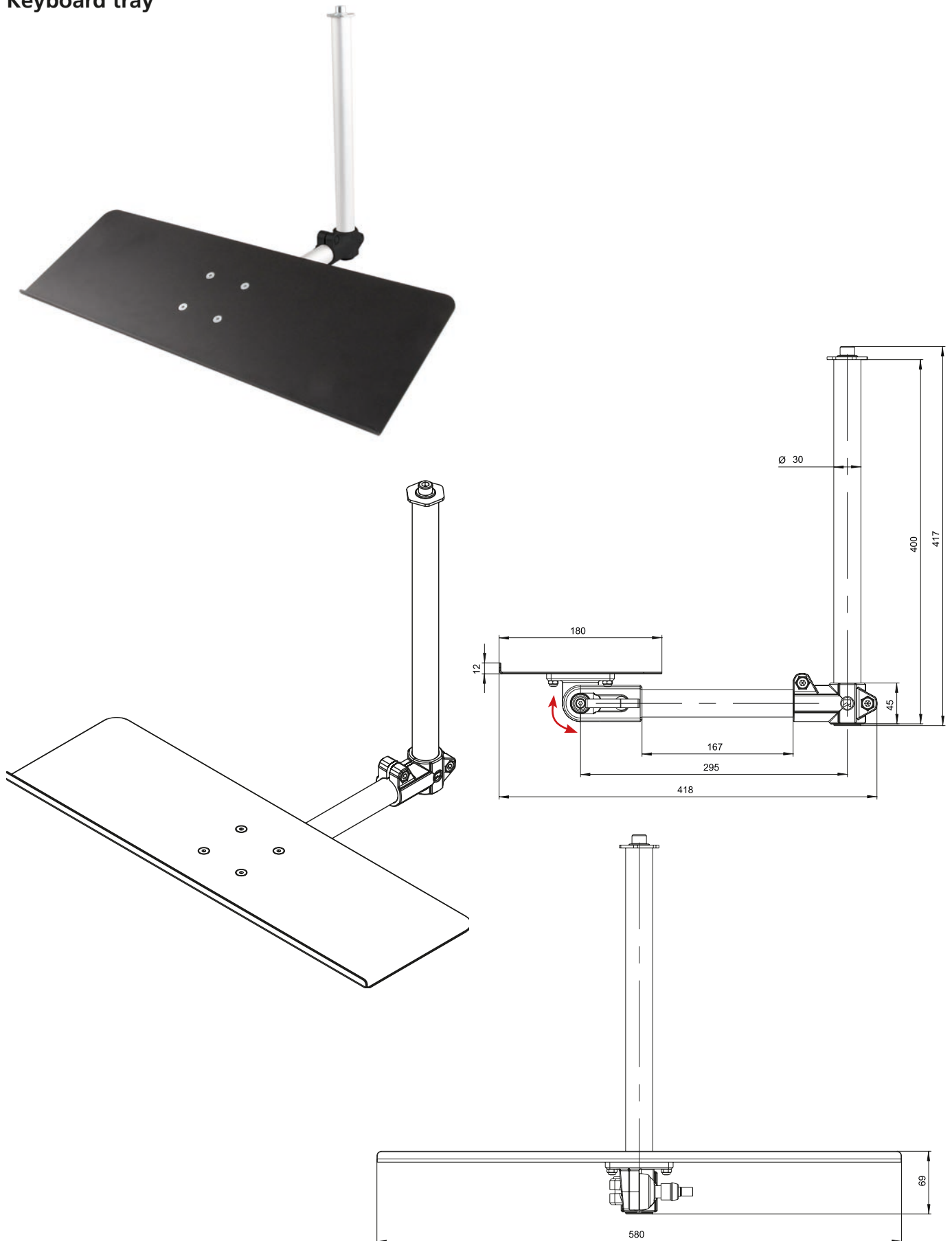
Adaptor plate VESA 75/100



| Code No. | Weight |
|----------|--------|
| 94371 | 80 g |



Keyboard tray



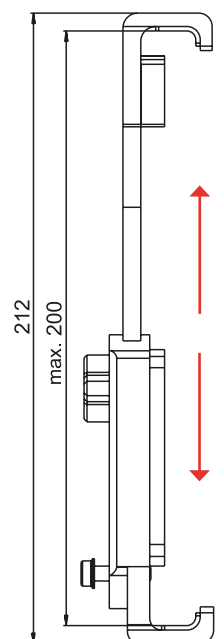
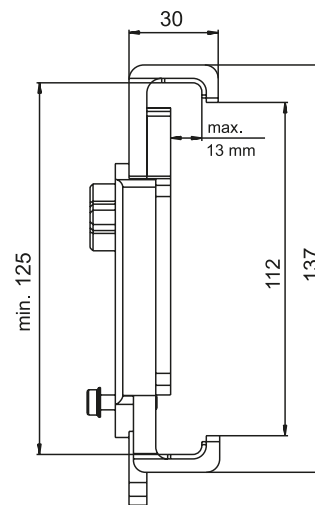
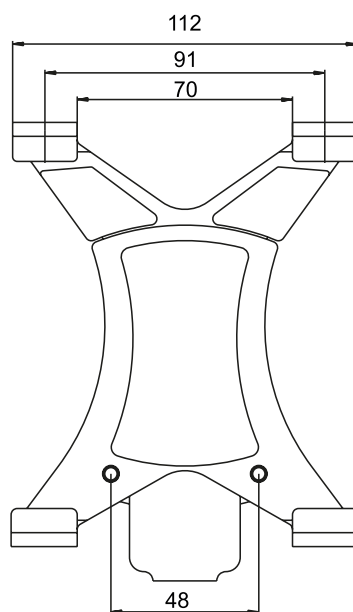
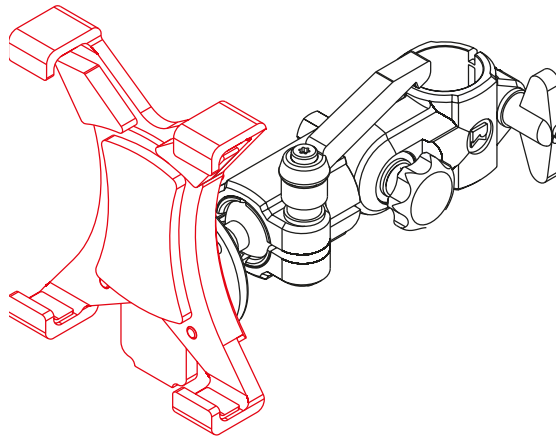
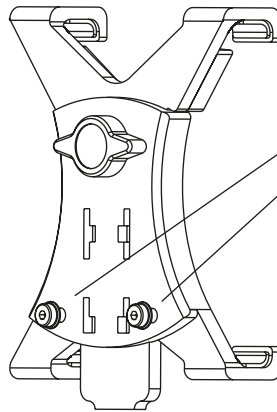
Designed for Support arm double and Support arm double height adjustable

| Code No. | Weight |
|--------------|--------|
| 193000038C66 | 2500 g |

RK Monitor Mounting / Accessories

Tablet holder

Delivery includes: fixing set for RK monitor mounting

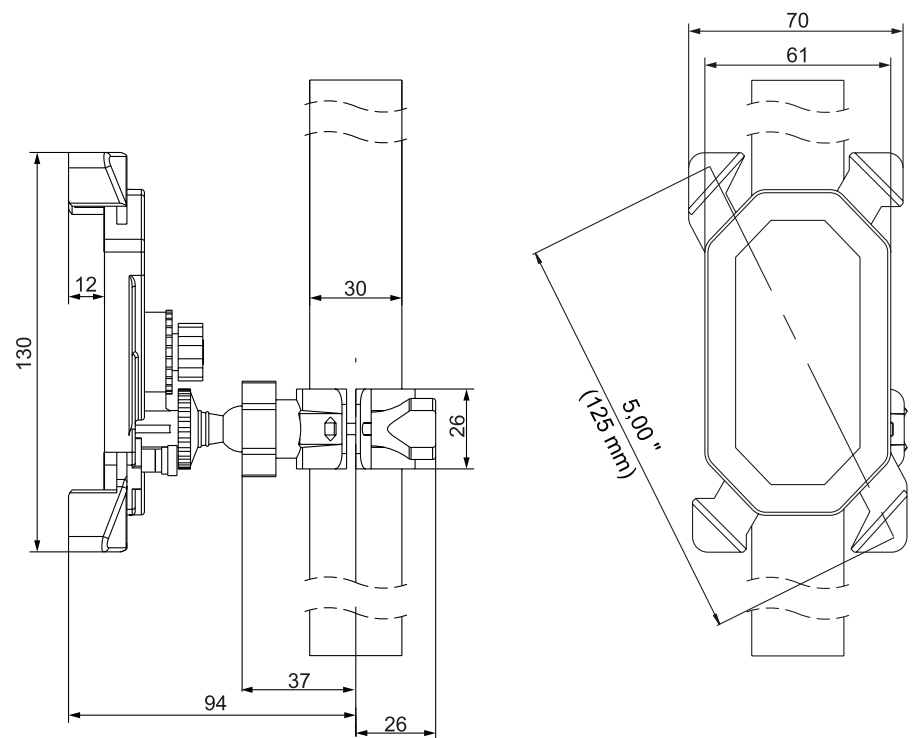
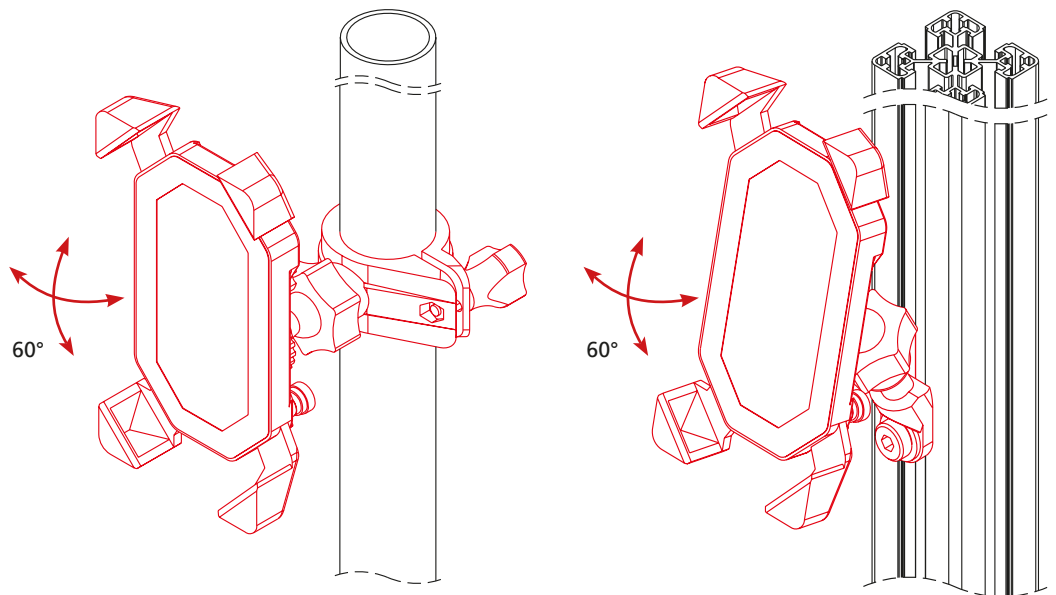


| Code No. | adjustment range |
|--------------|------------------|
| 193000052C66 | 125 mm - 200 mm |



Smartphone holder

Delivery includes:
including fastening 30 mm round tube and fastening
to RK Rose+Krieger Profile system (40 mm groove geometry)

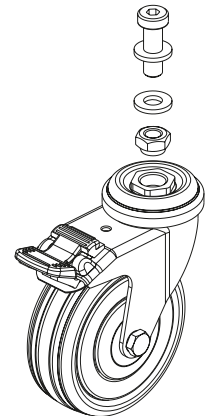
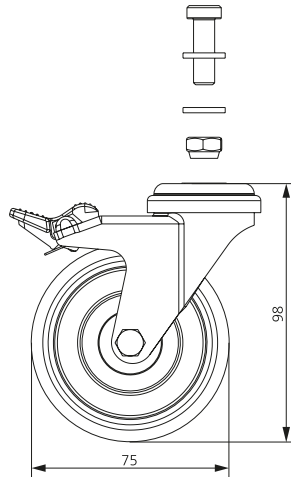


| Code No. | adjustment range |
|--------------|-----------------------------------------|
| 193000038C69 | from 125 (5 inch) to 185 (7.25 inch) mm |

RK Monitor Mounting / Accessories

Lockable swivel castor

Material: galvanized steel
Includes: fixing set for
 Monitor floor stand adjustable

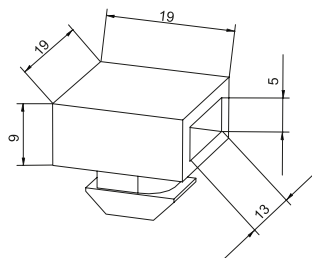


| Code No. | Weight |
|----------|--------|
| 90503 | 340 g |

Vario-Quick holding block K/KK

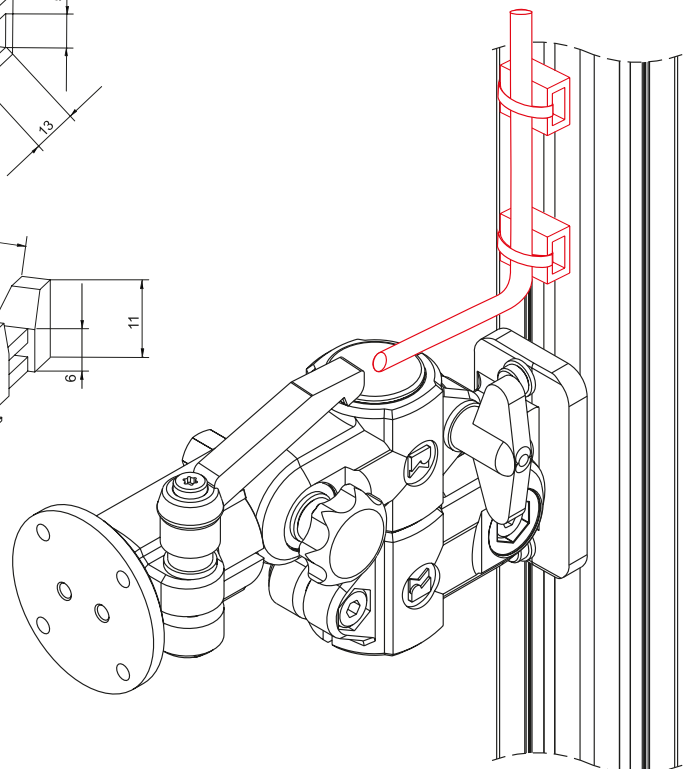
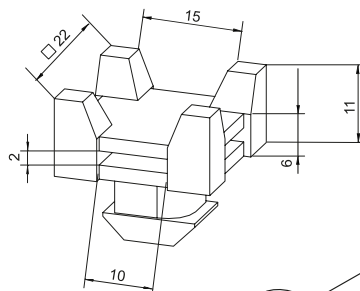
- For fixing cables and hoses
- It is possible to insert it into the profile slot retrospectively

Version K



Material: Black plastic

Version KK

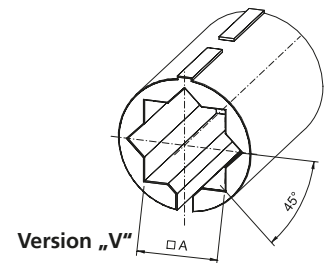
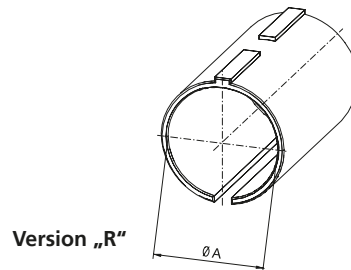
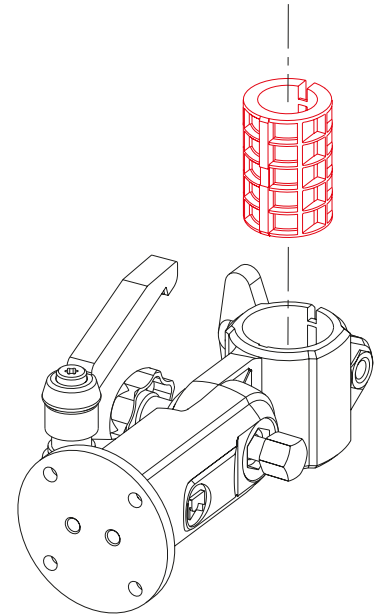


| Code No. | Version | lot sizes | Suitable for |
|----------|------------------|--------------------|-------------------|
| 40181251 | Holding block K | 5, 10, 15... piece | 40 slot geometry* |
| 40181271 | Holding block KK | 5, 10, 15... piece | 40 slot geometry* |

* Slot geometry RK Profile Technology

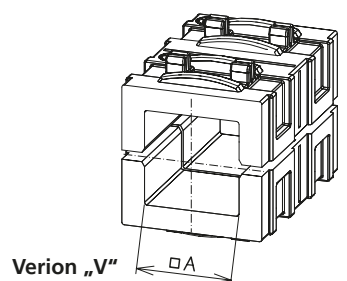
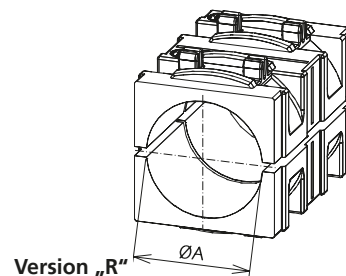
Order instruction:

- Purchase only in lot sizes and a multiple of that, see product table below

Reducing bushes for monitor mounting


[mm]

| Code No. | Version | lot sizes | A + 0,1 |
|----------|---------|--------------------|---------|
| 96204AC | R20 | 5, 10, 15... piece | 20,25 |
| 96206AC | R25 | 5, 10, 15... piece | 25,25 |
| 96208AC | V20 | 5, 10, 15... piece | 20,25 |

Reducing inserts for monitor mounting


[mm]

| Code No. | Version | lot sizes | A |
|----------|---------|------------------|-------|
| 963000AC | R20 | 5, 10, 15... pcs | 20,25 |
| 963002AC | R25 | 5, 10, 15... pcs | 25,25 |
| 963004AC | R30 | 5, 10, 15... pcs | 30,25 |
| 963001AC | V20 | 5, 10, 15... pcs | 20,50 |
| 963003AC | V25 | 5, 10, 15... pcs | 25,50 |

RK Monitor Mounting / Accessories

Clamping lever

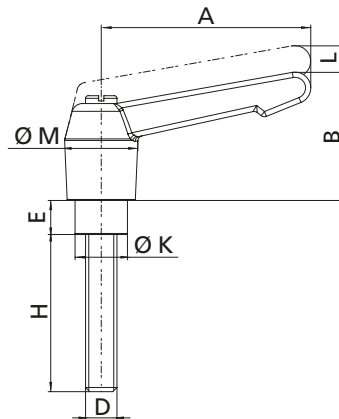
- The clamping lever enables the re-adjustment of the clamping element. This can be done by easy exchange of the cylinder screw.

- By lifting the grip, the free movement of the serration toothing enables the clamping lever to swing into the desired position. The grip moves into its original position when released.

Material: Grip made of polyamide black, screws -stainless steel



(Symbolische Darstellung)



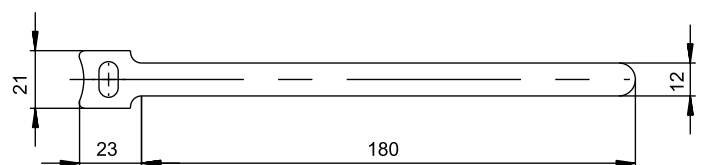
[mm]

| Code No. | Type | A | B | D | E | H | K | L | M |
|----------|-------|----|----|----|----|----|----|---|------|
| 902381 | 20-30 | 65 | 35 | M8 | 14 | 25 | 13 | 4 | 19,5 |

Order instruction:

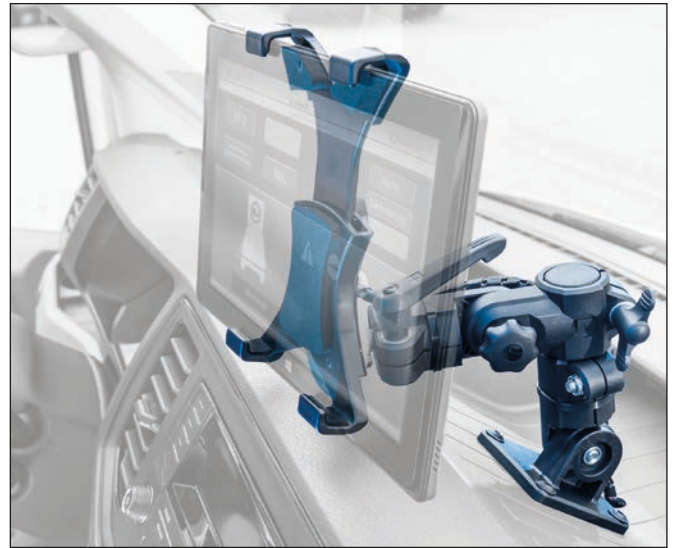
- Purchase only in pack quantities, see catalogue

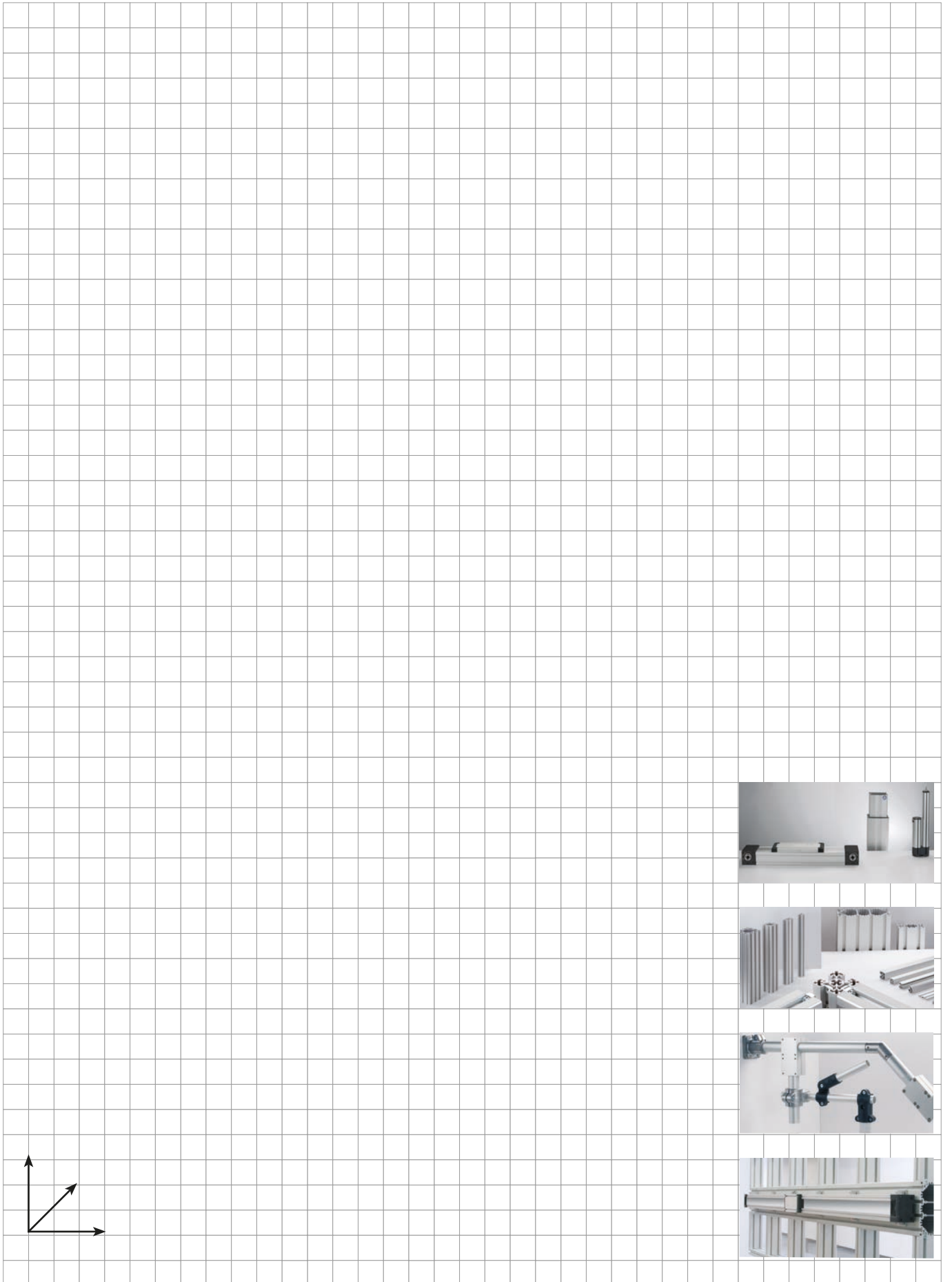
Cable straps with velcro



| Code No. | Scale of pack quantities |
|----------|--------------------------|
| 91815 | 5, 10, 15... piece |

Applications







RK ROSE+KRIEGER

A Phoenix Mecano Company

RK Rose+Krieger GmbH
Connecting and positioning systems
Potsdamer Straße 9
32423 Minden, Germany
Telefon +49 571 93 35-0
Telefax +49 571 93 35-119
info@rk-online.de
www.rk-rose-krieger.com



Brochure PDF file
to download

EN 1.000 Flyeralarm MAR 10 10 15 0005 08/2020 Printed in Germany