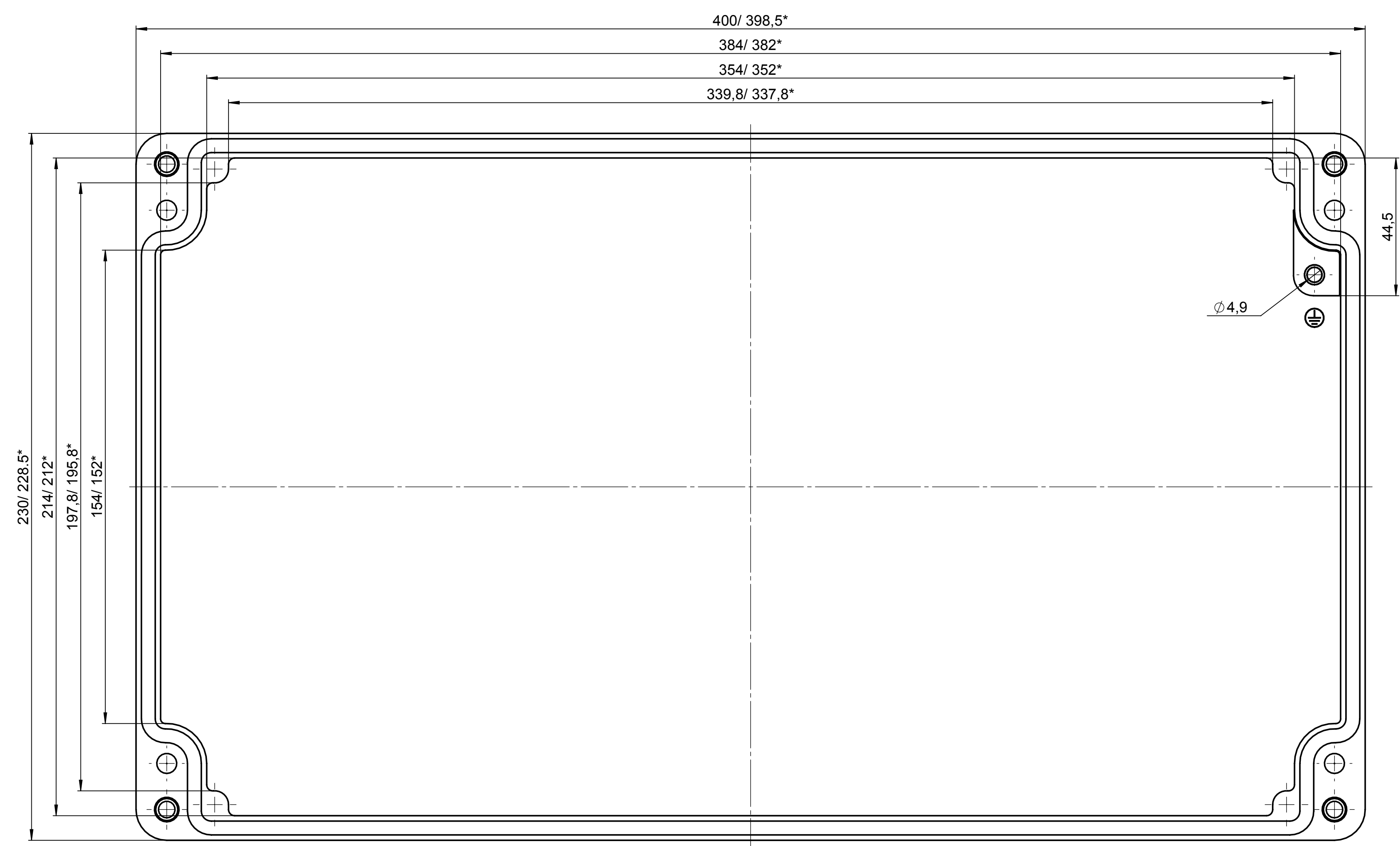
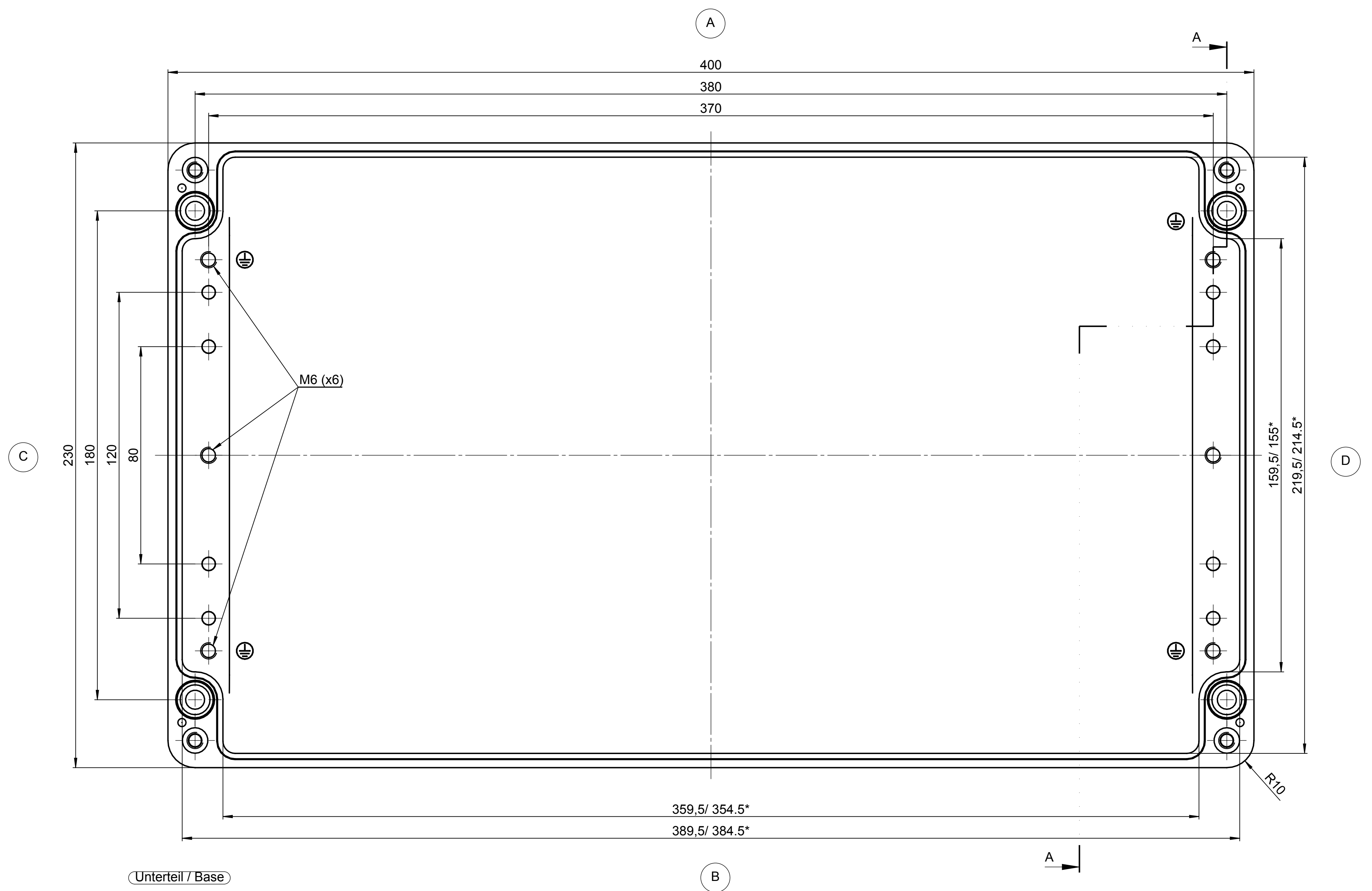


All rights reserved. No copies or reproductions are permitted without the written consent of ROSE Systemtechnik GmbH. The drawing is the property of ROSE Systemtechnik GmbH and is to be used only for the purpose intended. Any other use is prohibited.

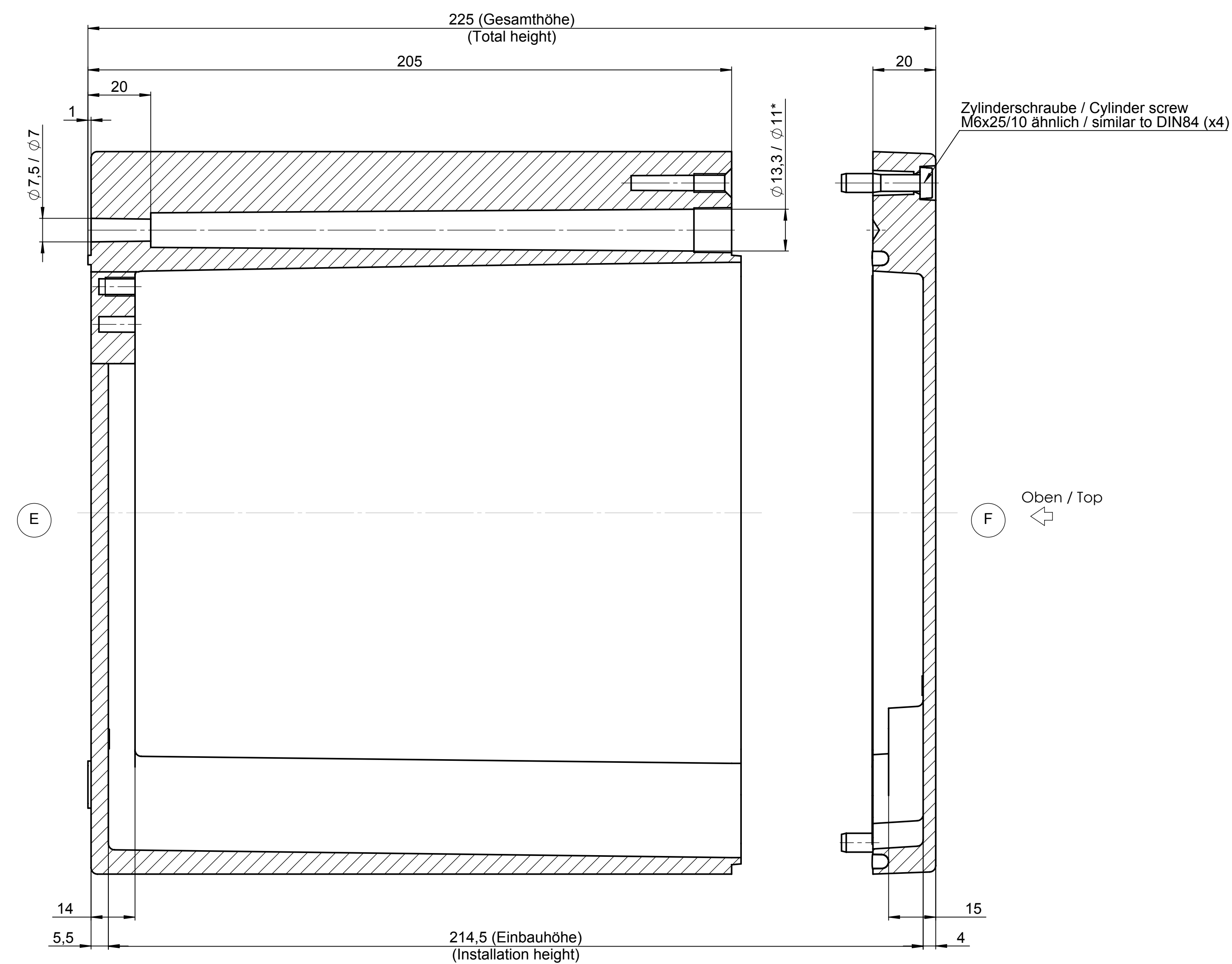


Deckel / Lid

* = Mass durch Formkonizität nach unten verringert.
 Freimass - Toleranz nach GTA 14/5 - DIN 1688
 * = Dimensions reduced in the lower part by mould incline
 General tolerances according to GTA 14/5 - DIN 1688



Unterteil / Base



Oben / Top

Index		Änderung/Modification		Datum/Date		Name		Projekt-Nr./project-no.	
ROSE		Systemtechnik GmbH		10.11.16		D.Mack		32457	
Scale		1:1		30.11.16		J.Pla		DIN 1688-GTA 13/5	
Benennung/Description		Aluminium Gehäuse		Aluminium enclosure		KAT01.234023		Gewicht/weight 7.97kg	
Material		Alu		Alu		Alu		Material	