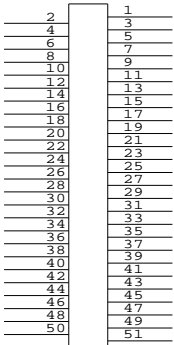


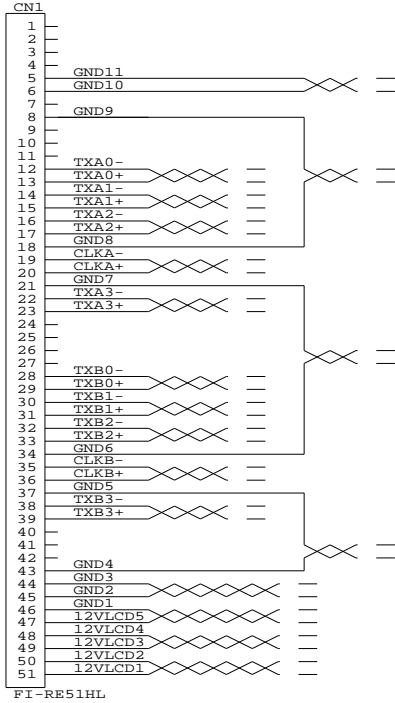
CONNECTION DIAGRAM:

IMPORTANT NOTE:

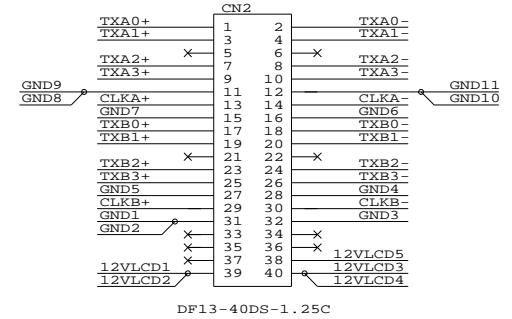


EVEN PIN USE
CRIMP TERMINAL
FI-RC3-1A-1E

ODD PIN USE
CRIMP TERMINAL
FI-RC3-1B-1E

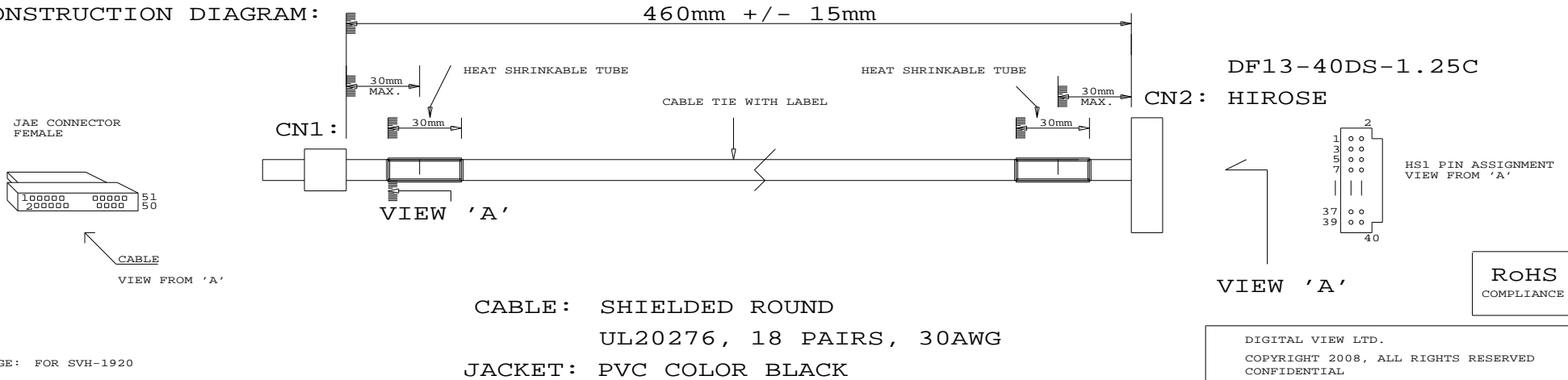


TOLERANCE:
+15mm
-15mm



CONTROLLER SIDE

CONSTRUCTION DIAGRAM:



USAGE: FOR SVH-1920

P/N 426497000-3

LVDS ROUND TWISTED PAIR CABLE: FOR SHARP LK460D3LZ18

DIGITAL VIEW LTD. COPYRIGHT 2008, ALL RIGHTS RESERVED CONFIDENTIAL DRAWN BY: VICTOR NG		
Title ROUND PAIRED CABLE: SHARP LK460D3LZ18		
Size	Document Number	REV
B	(...\DV\DV_CABLE\C6497000.SCH)	00
Date:	April 25, 2008	Sheet 1 of 1