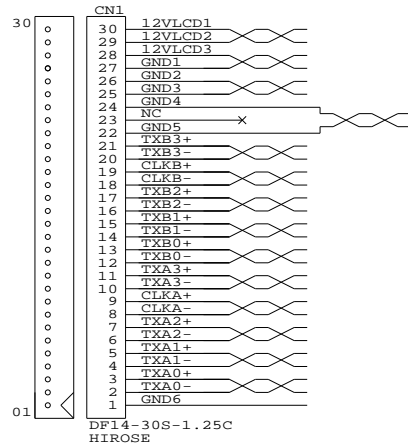
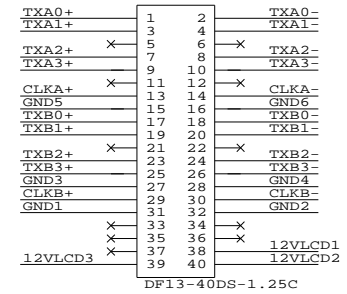


CONNECTION DIAGRAM:

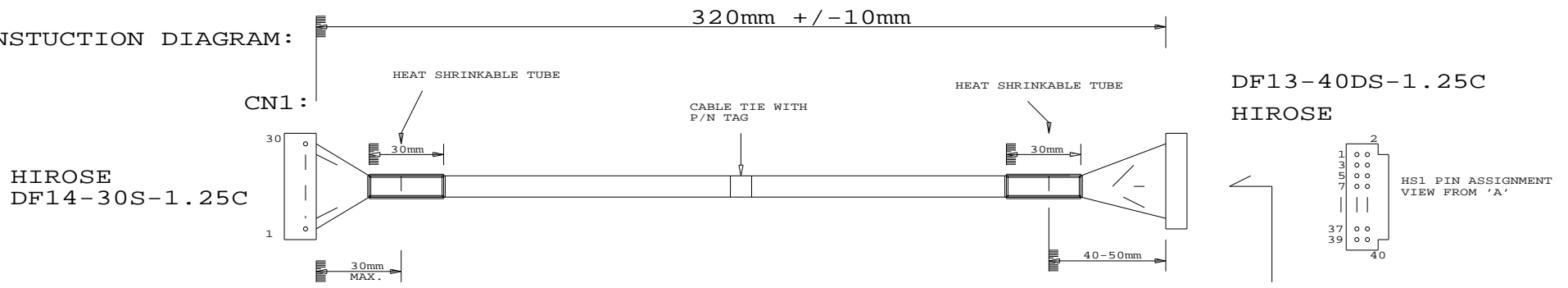


PANEL SIDE



TOLERANCE:
+10mm
-10mm

CONSTRUCTION DIAGRAM:



CABLE: SHIELDED ROUND
UL20276, 14 PAIRS, 30AWG, PVC COLOR BLACK

RoHS
COMPLIANCE

P/N 426496720-3
LVDS CABLE: IBM ITSX98E, 320mm

DIGITAL VIEW LTD. COPYRIGHT 2008, ALL RIGHTS RESERVED CONFIDENTIAL DRAWN BY: VICTOR NG		
Title	LVDS CABLE: IBM ITSX98E	
Size	Document Number	REV
B	(...\DV\DV_CABLE\C6496720.SCH)	00
Date:	September 1, 2008	Sheet 1 of 1