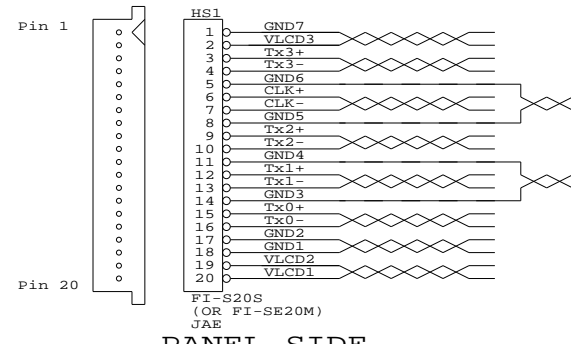
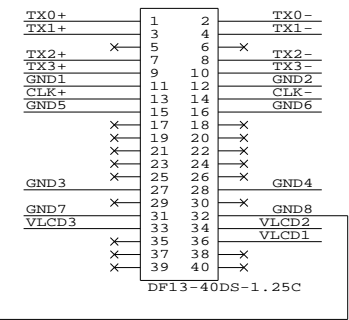


TOLERANCE:
+1.0mm
-1.0mm



PANEL SIDE

GND8 CONNECTED TO
CABLE SHIELD
DRAIN WIRE

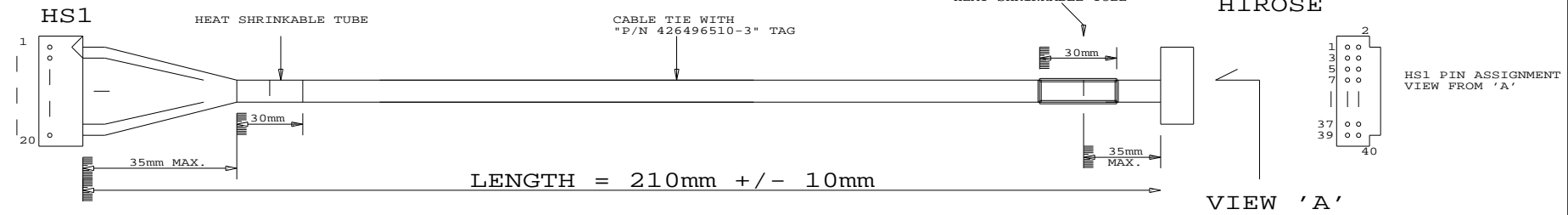


DF13-40DS-1.25C

REMARK: SIGNAL ORDER IS REVERSED WITH REFERENCE TO THE PANEL SPEC.
BECAUSE THE CONNECTOR MUST BE INSERTED WITH REVERVED DIRECTION

JAE
FI-S20S

DF13-40DS-1.25C
HIROSE



CABLE: UL 20276, 10 PAIRS, 30AWG
JACKET: PVC COLOR BLACK

USAGE:
CABLE FOR SHARP LQ084S3LG01 PANEL
(FOR SVH-1920, ALR-1400, SP-1600)

RoHS
COMPLIANCE

P/N 426496510-3
LVDS PANEL CABLE: SHARP LG084S3LG01, 210mm

DIGITAL VIEW LTD. COPYRIGHT 2008, ALL RIGHTS RESERVED CONFIDENTIAL		
DRAWN BY: VICTOR NG		
Title	LVDS CABLE: SHARP LQ084S3LG01, 210mm	
Size	Document Number	REV
B	(...\DV\DV_CABLE\C6496510.SCH)	00
Date:	October 23, 2008	Sheet 1 of 1