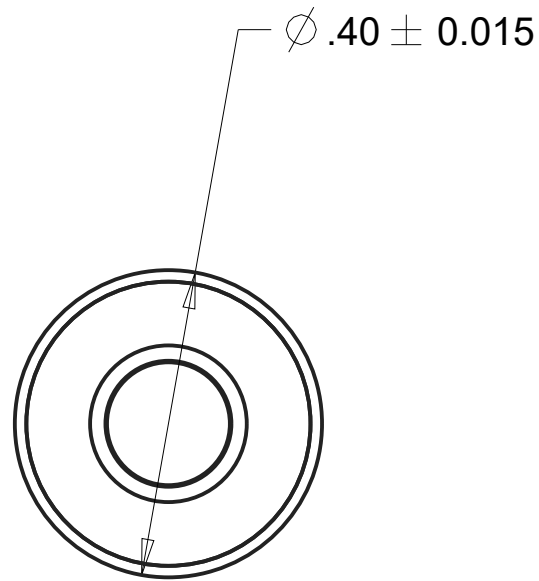


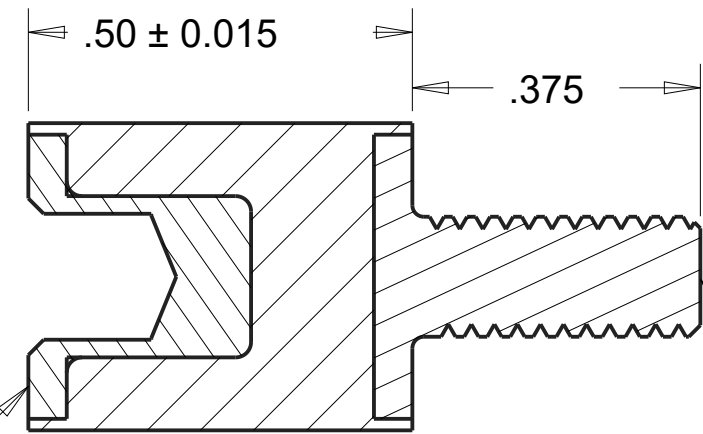


REVISIONS				
DRAWN	REV	DESCRIPTION	DATE	APPROVED
CP	01	INITIAL DESIGN	6/24/17	MS



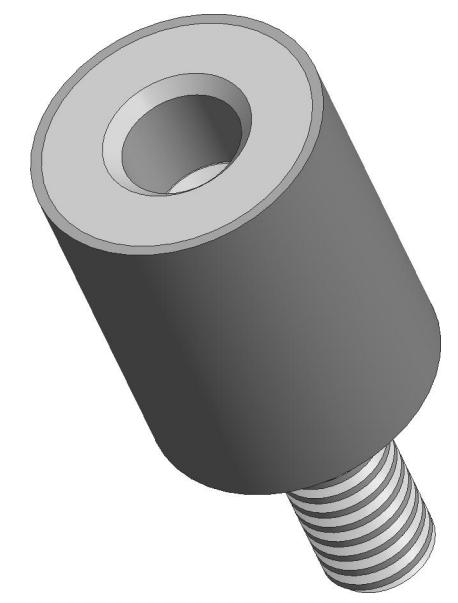
SCALE 4.000

GROUP 2 FEMALE  
INSERT #8-32  
UNC-2B



SECTION A-A

GROUP 2 MALE  
INSERT #8-32  
UNC-2A



NOTES:

1. CONTACT AREAS MUST BE 100% BONDED.

INSERTS:

MALE INSERT P/N: 021-1401

FEMALE INSERT P/N: 021-1402

MATERIAL: S.A.E 1018 STEEL

FOR COATING DETAILS, SEE INSERT DRAWING.

MATERIAL: ISOLOSS HD		AEARO TECHNOLOGIES LLC * a 3M company		
UNITS: IN	QUALITY CONTROL: MUST COMPLY WITH AEARO TECHONLGIES LLC SUPPLIER QUALITY MANUAL REQUIREMENTS	TITLE SANDWICH MOUNT, GROUP 2, MALE-FEMALE, ISOLOSS HD		
	NOTES: ANY FEATURE NOT DIMENSIONED IN PRINT MUST BE VISIBLY PRESENT, UTILIZE 3D CAD FOR CREATION	SIZE B	ITEM CODE	DWG NO. MF-200-UC08-H