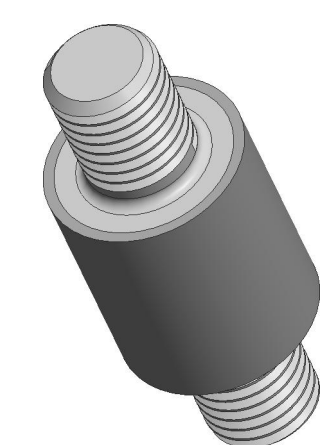
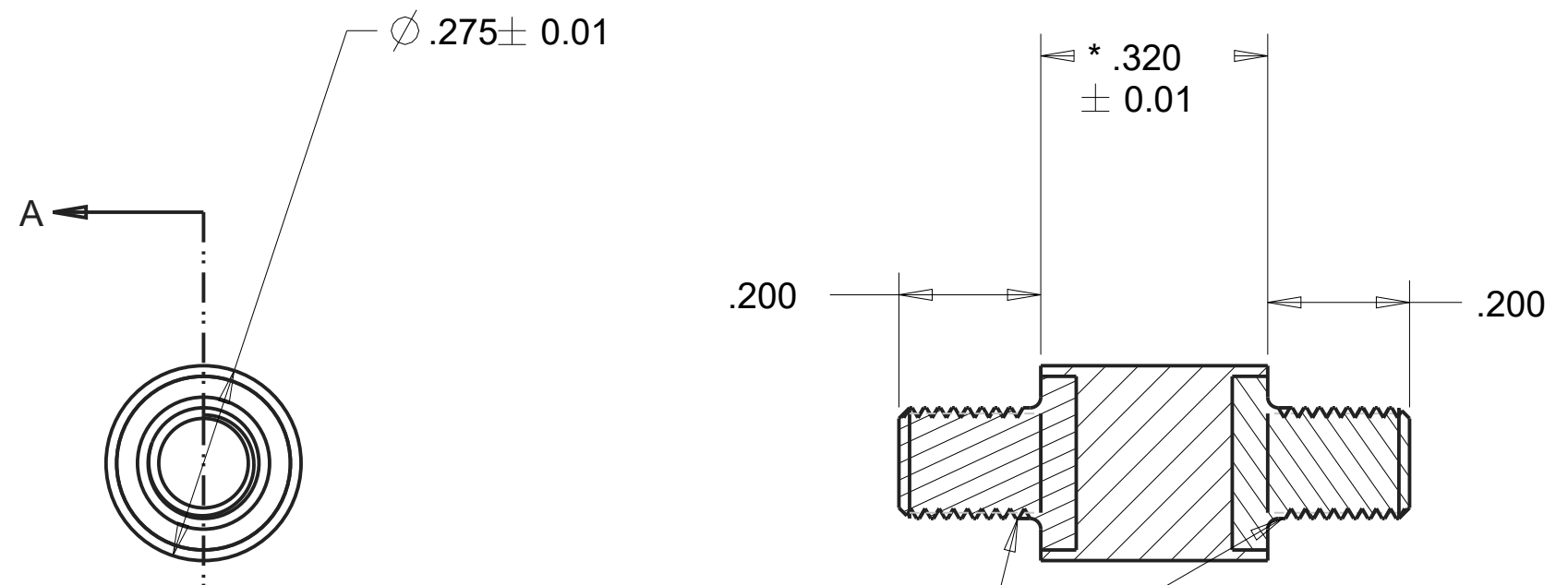




REVISIONS				
DRAWN	REV	DESCRIPTION	DATE	APPROVED
CP	01	INITIAL DESIGN	5/15/17	MS



GROUP 1 MALE INSERT  
#4-40 UNC-2A

SECTION A-A

NOTES:  
1. CONTACT AREAS MUST BE 100% BONDED.

INSERTS:  
MALE INSERT P/N: 021-1403  
MATERIAL: S.A.E 1018 STEEL  
FOR COATING DETAILS, SEE INSERT DRAWING.

MATERIAL:	AEARO TECHNOLOGIES LLC * a 3M company		
ISOLOSS HD	QUALITY CONTROL: MUST COMPLY WITH AEARO TECHONLGIES LLC SUPPLIER QUALITY MANUAL REQUIREMENTS	TITLE SANDWICH MOUNT, GROUP 1, MALE-MALE, ISOLOSS HD	
UNITS: IN	NOTES: ANY FEATURE NOT DIMENSIONED IN PRINT MUST BE VISIBLY PRESENT, UTILIZE 3D CAD FOR CREATION	SIZE B	ITEM CODE DWG NO. MM-100-UC04- H