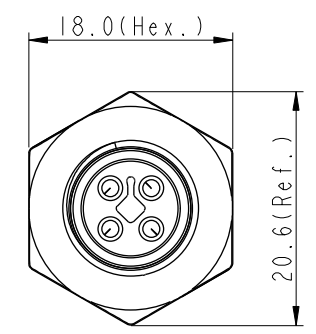
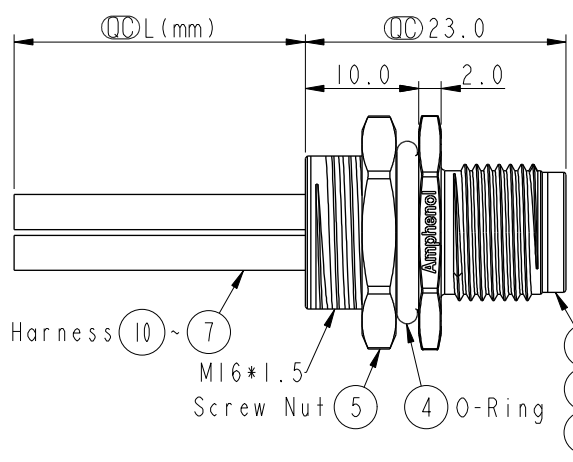
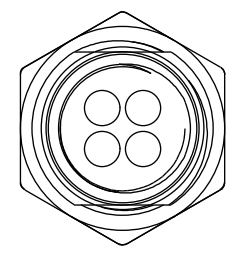
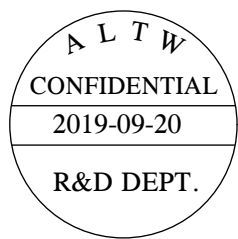


THIS DOCUMENT IS SUBJECT TO CHANGE WITHOUT NOTICE. IT IS CONFIDENTIAL AND A PROPERTY OF Amphenol LTW. DISCLOSURE TO THIRD PARTY HAS TO BE AUTHORIZED BY Amphenol LTW.

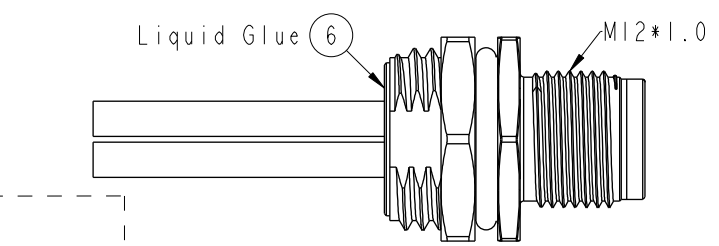
REV.	ECN NO.	DATE	SIGN	DESCRIPTION
A	Initial Release	2015/09/04	Cary	Change Rev. 01 to Rev.A
B	LE317A0023-0024	2017/10/15	Feng_Li	Update The Note
C	CI91643	2019/09/20	Vicky	Update Wire Tolerance



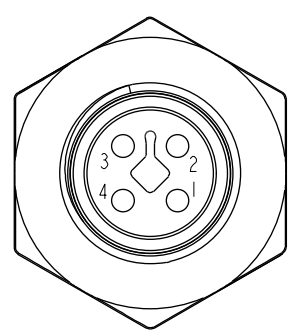
M12T-04PMMS-SH8CXX \triangle

15:150mm
20:200mm
↓
95:950mm
Cable Pitch Unit:50mm

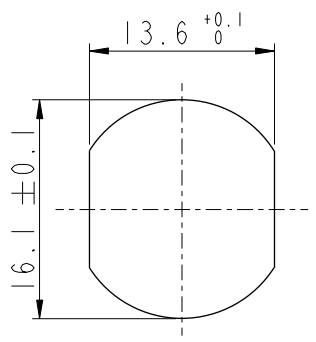
A0:1000mm
↓
A5:1500mm
Cable Pitch Unit:100mm
Wire Length(L):150~1500mm



Note:
 * ⌀ Important Dimension.
 * Waterproof Rate: IP68.
 IP68: 1M Depth Of Water In 24hours.
 \triangle * Housing: Nylon+GF, UL94V-0, Black.
 * Male Pin: Copper Alloy, Gold Plated.
 * Shield: Zinc Alloy, Nickel Plated.
 * Panel Nut: Zinc Alloy, Nickel Plated.
 * O-Ring: Viton, Black.
 * Wire Harness: UL1015 16AWG(1.5mm²).
 * Rated Voltage: 60V DC.
 * Rated Current at 40°C: 12A
 * Operation Temperature: -40~85°C.
 * For Panel Thickness Max 4.5mm.
 * Nut Torque: 4-6 Kgf.cm(0.4~0.6N.m).
 * Wire harness Tolerance: 150~300 ±15mm
 301~1000 ±20mm
 \triangle Over1000 +50/-0mm



Pin Assignment Front View



Recommended Panel Cut-Out

4	Black	黑
3	Blue	藍
2	White	白
1	Brown	棕
Conn.	Wire Color	Pin Out

UNIT:mm		
TOLERANCE	.X ±0.25	
	.XX ±0.1	
	.XXX ±0.05	
ANGLES	±1°	

TITLE M12 T-Code 4Pin Male Type			
SCALE 1:1	SIZE A4	SHEET 1 OF 1	
REV. C	WC-REV. A.3	⌀ : Inspection item	

Amphenol LTW
 安費諾亮泰企業股份有限公司

ITEM NO	DRAWN BY Vicky	DATE 2019-09-20
DWG NO M12T-04PMMS-SH8CXX	CHECKED BY Rita	DATE 2019-09-20
CUSTOMER ALTW	APPROVED BY Max	DATE 2019-09-20