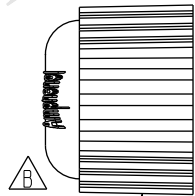


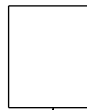
REV.	ECN NO.	DATE	SIGN	DESCRIPTION
A	Initial Release	Ruru	2012/10/25	PLD-04BMFA-QL7001 To PLD-04BMFA-QL7001
B	LEN1510155	Vicky	2015/01/08	Update Logo & Tolerance

ALTW  
CONFIDENTIAL  
2015-01-08  
R&D DEPT.

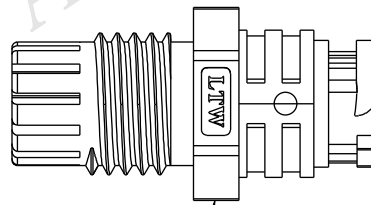
ALTW  
DCC. DEPT.  
CONFIDENTIAL  
2015.01.15  
ISSUED



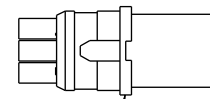
Sealing Nut (4)



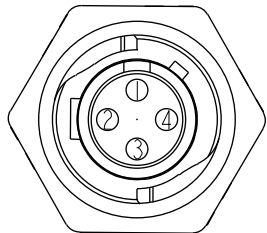
Seal (3)



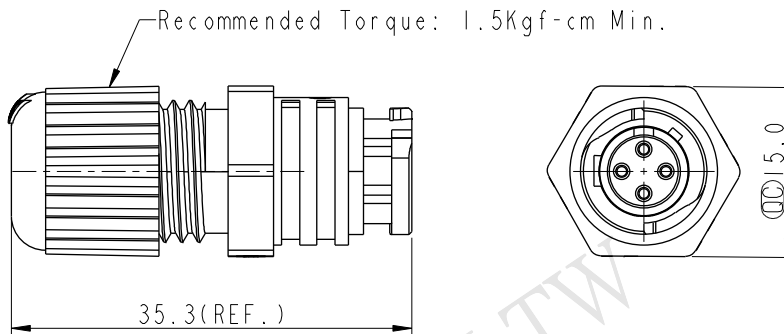
Clamp Ring (2)



Housing Ass'y (1)



Pin Assignments  
Front View



Note:

- \*  $\varnothing$  Important Dimension To Check.
- \* Waterproof Rate: IP67
- \* Female Pin: Copper Alloy, Gold Plated
- \* Housing: Nylon, UL 94V-0, Black.
- \* Seal: Silicone, UL 94V-0, Gray.
- \* Clamp Ring: Nylon, UL 94V-2, Black.
- \* Sealing Nut: Nylon, UL 94V-2, Black.
- \* Seals for Cable OD:  $\varnothing 4.5\text{mm} - \varnothing 6.5\text{mm}$
- \* Operating Voltage Max: AC 300 V Rms.
- \* Operating Current Max: 5A.
- \* One Set Unassembled In One Bag.

UNIT:mm	
TOLERANCE	$\pm 0.5 \text{ mm}$

TITLE ASSY, PUSH LOCK, 4PIN M CONN F PIN			
SCALE 3:2	SIZE A4	SHEET 1 OF 1	
REV. B	WC-REV. A.2	QC: Inspection item	

**Amphenol LTW**  
安費諾亮泰企業股份有限公司

ITEM NO PLD-04BMFA-QL7001	DRAWN BY Vicky	DATE 2015-01-08
DWG NO PLD-04BMFA-QL7001	CHECKED BY Sam	DATE 2015-01-08
CUSTOMER ALTW	APPROVED BY Rita	DATE 2015-01-08

THIS DOCUMENT IS SUBJECT TO CHANGE WITHOUT NOTICE. IT IS CONFIDENTIAL AND A PROPERTY OF AMPHENOL LTW. DISCLOSURE TO THIRD PARTY HAS TO BE AUTHORIZED BY AMPHENOL LTW.