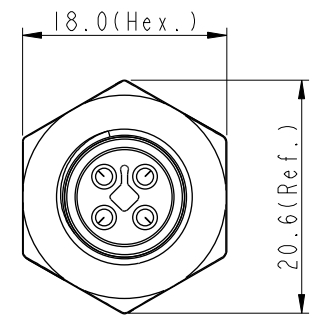
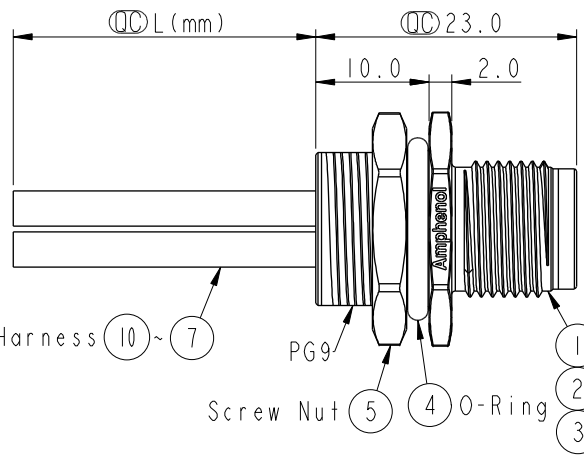


THIS DOCUMENT IS SUBJECT TO CHANGE WITHOUT NOTICE. IT IS CONFIDENTIAL AND A PROPERTY OF Amphenol LTW. DISCLOSURE TO THIRD PARTY HAS TO BE AUTHORIZED BY Amphenol LTW.

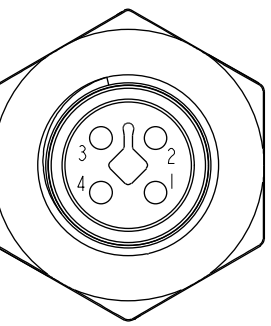
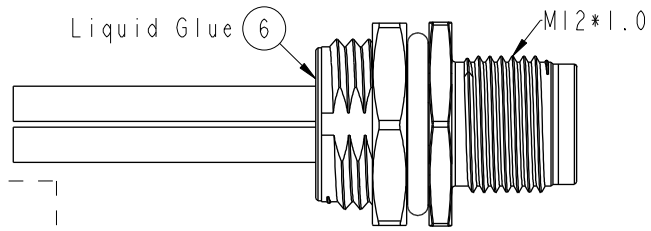
REV.	ECN NO.	DATE	SIGN	DESCRIPTION
A	Initial Release	2015/03/04	Cary	Change Rev. 01 to Rev.A
B	LE317A0021-0022	2017/10/15	Feng_Li	Update The Note
C	CI91643	2019/09/20	Vicky	Update Wire Tolerance

**ALTW**  
**CONFIDENTIAL**  
 2019-09-20  
**R&D DEPT.**

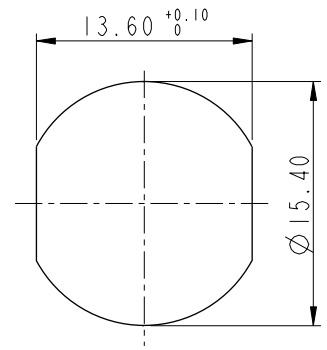


M12T-04PMMS-SH8BXX  $\triangle$

15: 150mm  
 20: 200mm  
 95: 950mm  
 Cable Pitch Unit: 50mm  
 A0: 1000mm  
 A5: 1500mm  
 Cable Pitch Unit: 100mm  
 Wire Length(L): 150~1500mm



Pin Assignment  
Front View



Recommended  
Panel Cut-Out

4	Black	黑
3	Blue	藍
2	White	白
1	Brown	棕
Conn.	Wire Color	Pin Out

Note:

- \*  $\text{CC}$  Important Dimension.
- \* Waterproof Rate: IP68.
- IP68: 1M Depth Of Water In 24hours.
- $\triangle$  \* Housing: Nylon+GF, UL94V-0, Black.
- \* Male Pin: Copper Alloy, Gold Plated.
- \* Shield: Zinc Alloy, Nickel Plated.
- \* Panel Nut: Zinc Alloy, Nickel Plated.
- \* O-Ring: Viton, Black.
- \* Wire Harness: UL1015 16AWG (1.5mm<sup>2</sup>).
- \* Rated Voltage: 60V DC.
- \* Rated Current at 40°C: 12A
- \* Operation Temperature: -40~85°C.
- \* For Panel Thickness Max 4.5mm.
- \* Nut Torque: 4-6 Kgf.cm (0.4~0.6N.m).
- \* Wire harness Tolerance: 150~300 ±15mm  
301~1000 ±20mm  
 $\triangle$  Over 1000 +50/-0mm

UNIT: mm		TITLE			ITEM NO.	DRAWN BY	DATE
TOLERANCE .X ±0.25 .XX ±0.1 .XXX ±0.05 ANGLES ±1°		M12 T-Code 4Pin Male Type			Amphenol LTW	Vicky	2019-09-20
SCALE 1:1 REV. C		SIZE A4	SHEET 1 OF 1	安費諾亮泰企業股份有限公司	DWG NO. M12T-04PMMS-SH8BXX	CHECKED BY Rita	DATE 2019-09-20
WC-REV. A.2 $\text{CC}$ : Inspection item					CUSTOMER ALTW	APPROVED BY Max	DATE 2019-09-20