

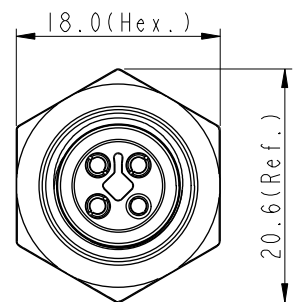
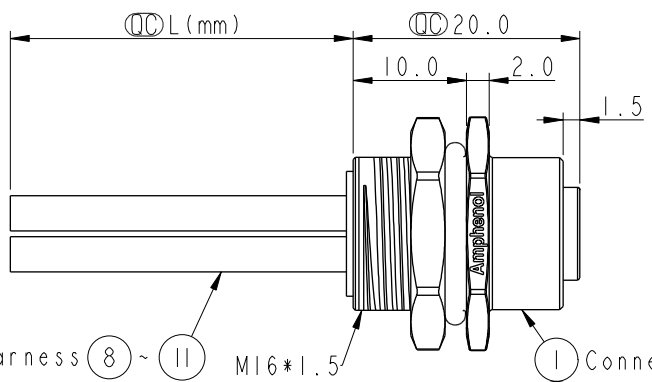
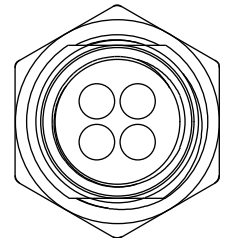
ALTW
CONFIDENTIAL
2019-09-20
R&D DEPT.

| REV. | ECN NO. | DATE | SIGN | DESCRIPTION |
|------|-----------------|------------|-------|-------------------------|
| A | Initial Release | 2015/09/09 | Cary | Change Rev. 01 to Rev.A |
| B | CI91643 | 2019/09/20 | Vicky | Update Wire Tolerance |

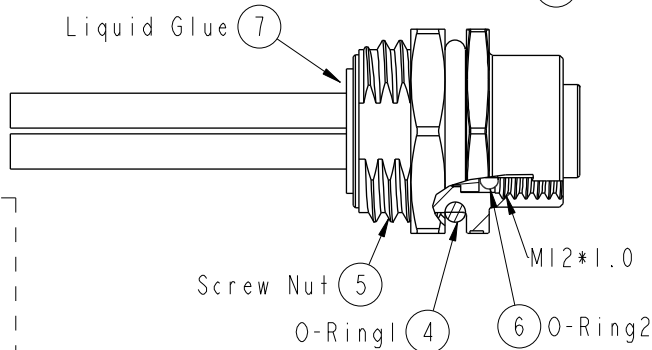
M12T-04PFFS-SH8CXX \triangle B

15:150mm
20:200mm
┆
95:950mm
Cable Pitch Unit:50mm

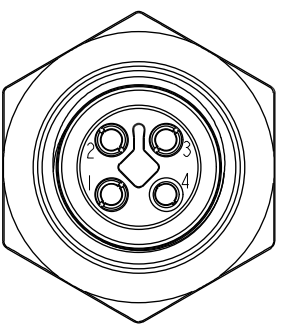
A0:1000mm
┆
A5:1500mm
Cable Pitch Unit:100mm
Wire Length(L):150~1500mm



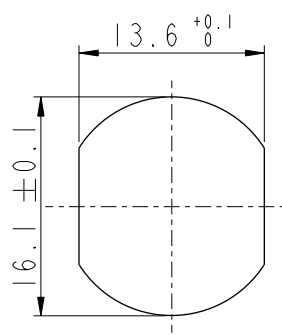
Wire Harness (8) ~ (11) M16*1.5
① Connector
② Female Pin
③ Shield



Note:
 * \varnothing Important Dimension.
 * Waterproof Rate: IP68.
 * IP68: 1M Depth Of Water In 24hours.
 * Housing: PA66, UL94V-0, Black.
 * Female Pin: Copper Alloy, Gold Plated.
 * Shield: Zinc Alloy, Nickel Plated.
 * Panel Nut: Zinc Alloy, Nickel Plated.
 * O-Ring1: Viton, Black.
 * O-Ring2: Viton, Green.
 * Wire Harness: UL1015 16AWG(1.5mm²).
 * Rated Voltage: 60V DC.
 * Rated Current at 40°C: 12A
 * Operation Temperature: -40~85°C.
 * For Panel Thickness Max 4.5mm.
 * Nut Torque: 4-6 Kgf.cm(0.4~0.6N.m).
 * Wire harness Tolerance: 150~300 ±15mm
 301~1000 ±20mm
 \triangle B Over1000 +50/-mm



Pin Assignment
Front View



Recommended
Panel Cut-Out

| | | |
|-------|------------|---|
| 4 | Black | 黑 |
| 3 | Blue | 藍 |
| 2 | White | 白 |
| 1 | Brown | 棕 |
| Conn. | Wire Color | |
| | Pin Out | |

| | | |
|------------|----------|--|
| UNIT:mm | | |
| TOLERANCE | .X ±0.25 | |
| .XX ±0.1 | | |
| .XXX ±0.05 | | |
| ANGLES | ±1° | |

| | | | |
|--------------------------------------|----------------|---------------------------------|--|
| TITLE M12 T-Code 4Pin Female Type | | | |
| SCALE 2:1 | SIZE A4 | SHEET 1 OF 1 | |
| REV. B | WC-REV. A.1 | \varnothing : Inspection item | |

Amphenol LTW
安費諾亮泰企業股份有限公司

| | | |
|------------------------------|--------------------|--------------------|
| ITEM NO | DRAWN BY Vicky | DATE 2019-09-20 |
| DWG NO M12T-04PFFS-SH8CXX | CHECKED BY Rita | DATE 2019-09-20 |
| CUSTOMER ALTW | APPROVED BY Max | DATE 2019-09-20 |

THIS DOCUMENT IS SUBJECT TO CHANGE WITHOUT NOTICE. IT IS CONFIDENTIAL AND A PROPERTY OF Amphenol LTW. DISCLOSURE TO THIRD PARTY HAS TO BE AUTHORIZED BY Amphenol LTW.