

ISL5x61EVAL1, ISL5x61EVAL2

Evaluation Boards

AN9966
Rev 0.00
September 2001

Description

The ISL5x61EVAL1 and EVAL2 evaluation boards provide a quick and easy method for evaluating the ISL5761/5861/5961 (10-, 12-, or 14-bit), 130/210MSPS high speed DACs. EVAL1 is populated with an SOIC package and EVAL2 is populated with a TSSOP package. The board is configured so that the converter outputs differential current into a transformer circuit to form an output voltage. The amount of current out of the DAC is determined by an external resistor and either an internal or external reference voltage. The CMOS digital inputs have optional external termination resistors. The evaluation board includes a ribbon cable digital interface that is compatible with Intersil DUC (Digital Up Converter) evaluation boards like the ISL5217.

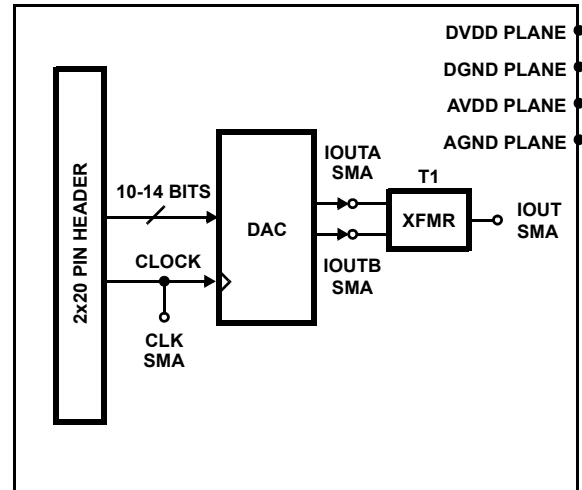
Features

- 210MSPS 10-, 12- or 14-Bit CMOS DAC
- Transformer-Coupled or Single-Ended SMA Outputs
- Interface compatible to the ISL5217 Digital Up Converter allows complete Baseband-to-IF Demonstration

Ordering Information

PART NUMBER	TEMP. RANGE (°C)	PACKAGE	NUMBER OF BITS	CLOCK SPEED
ISL5761EVAL1	25	SOIC	10	210MHz
ISL5861EVAL1	25	SOIC	12	210MHz
ISL5961EVAL1	25	SOIC	14	210MHz
ISL5761EVAL2	25	TSSOP	10	210MHz
ISL5861EVAL2	25	TSSOP	12	210MHz
ISL5961EVAL2	25	TSSOP	14	210MHz

Functional Block Diagram



Getting Started

See Figure 1. A summary of the equipment, external supplies and signal sources needed to operate the board is given below:

1. +3.3V supply for ISL5x61 DAC.
2. Pattern generator (pattern source).
3. Square wave, DC-biased clock source (usually part of the pattern generator).
4. Spectrum analyzer or oscilloscope for viewing the output of the converter.

Attach the evaluation board to the power supply(s). Connect the bits from the data generator to the evaluation board using the 2x20 pin connector (J1). Connect the clock source to the evaluation board, either through the 2x20 pin connector (J1) or via the provided SMA (J2).

Using a coaxial cable with the proper SMA connector, attach the output of the converter, IOUT (J11), to the measurement equipment that will be evaluating the converter's performance. Make sure that the jumpers are in their proper placement (default placement should be J5 and J10 populated, all others not populated).

Set the clock signal and data levels to swing from 0-3V. Turn the power supply on. Turn the pattern and clock on and measure the result at the analog output SMA (J11).

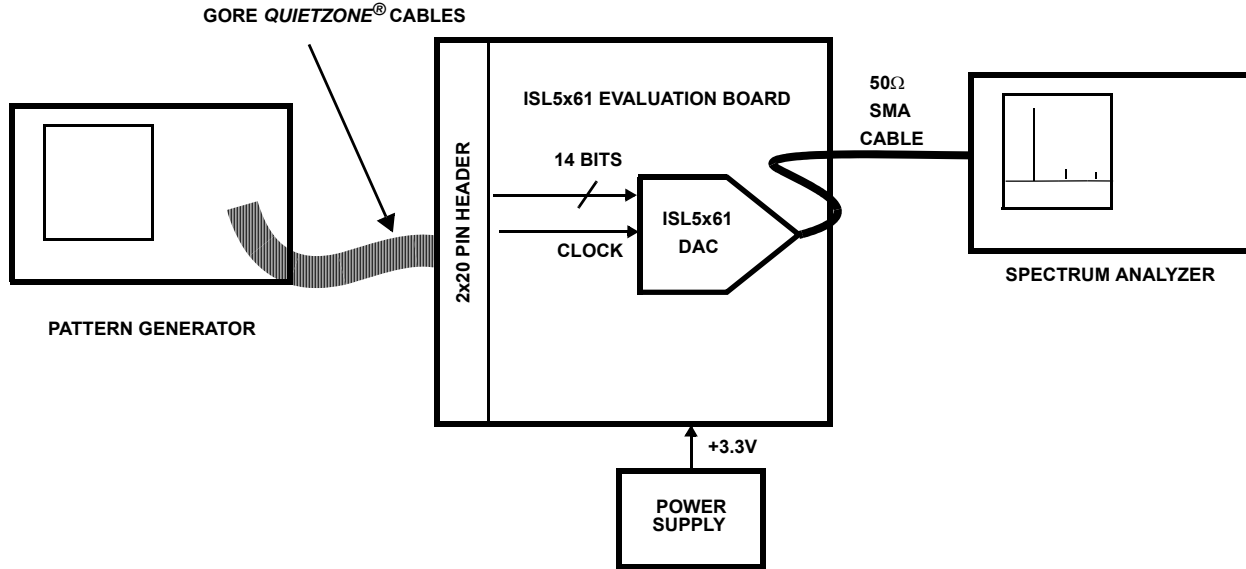


FIGURE 1. INTERSIL ISL5x61 EVALUATION SYSTEM SETUP BLOCK DIAGRAM

Board Options

Jumpers (Default State)

- J3 - Selects DAC Sleep Mode (OPEN)
- J4 - Selects External Reference (OPEN)
- J5 - Selects Internal Reference (SHORT)
- J6 - Selects IOUTA (OPEN)
- J7 - Selects IOUTB (OPEN)
- J10 - Grounds the Transformer Output (SHORT)

Output Transformer

- T1 - T1-1T (case style Mini-Circuits KK81)
- T2 - ADT1-1WT (case style Mini-Circuits CD542)

Clock

2x20 Pin Header (J1 - pin 19)

SMA - J2

RSET

Fixed Resistor - R34 (2kΩ = 20mA full scale output)

Potentiometer - R35

Power Supply

Split AVDD and DVDD

Single VDD (by connecting them together prior to the inductors on the board)

Digital Inputs

The digital inputs are expecting 3V CMOS levels. The board is shipped without termination resistors so that most systems can drive the load. The board is configured so that the user can populate 50Ω termination resistors if required (R1-15). Consult the datasheet for the DAC for min/max amplitude requirements for the clock and data.

Analog Outputs

The transformer configuration is such that it expects to see a 50Ω load at the end of an RF cable. If the user wishes to evaluate the single-ended performance of the DAC, J6 and/or J7 will need to be populated, and R31/32 should be populated with 50Ω resistors (or a resistor of choice that does not cause the analog output to violate the output voltage compliance range specified in the datasheet.)

Board Schematics/Layout/BOM

The schematics, board plots, and bill of materials can be downloaded from the Intersil web site. Search on the DAC part number.

Other

The labels on the board for IOUTA (J8) and IOUTB (J9) are backwards. J8 should be IOUTA and J9 should be IOUTB.

ISL5x61 + ISL5217 Combo

The ISL5x61 evaluation board is designed to interface directly to an ISL5217 evaluation board. The ISL5217 is a 104MSPS Digital Up Converter. The ISL5217 can be used to generate 1-

4 narrowband carriers or 1-2 wideband carriers. Consult the ISL5217 documentation for detailed information on using the ISL5217 evaluation board.

To connect the two boards together, J4 on the ISL5217eval (DUC) is connected to J1 on the ISL5x61eval (DAC) via a 2x20 pin ribbon cable. The DAC board is configured as is stocked, except R16 is not populated. See Figure 2 for a block diagram of the two boards connected.

If a clock source is available that has both CLK and $\overline{\text{CLK}}$, the clocking of the two boards is simplified. CLK should connect to the DUC evaluation board at J11, with a T-connector that has a 50Ω terminator attached. $\overline{\text{CLK}}$ should go to the DAC evaluation board at J2 and also use a T-connector with a 50Ω terminator.

(Or, 50Ω terminators can be populated on the evaluation boards. See the board schematics for more information on doing this.)

If a generator with CLK and $\overline{\text{CLK}}$ is not available, a single clock source can be used. Connect a T-connector to J2 of the DAC board and another to J11 of the DUC board. Connect a DC-biased clock signal to the connector at J2, then connect J2 and J11 together with a short cable. Connect a 50Ω terminator to the other side of the T-connector at J11 on the DUC board. Sometimes the length of the clock cable running from the DAC board to the DUC board has to be adjusted to achieve adequate setup and hold times between DATA and CLK.

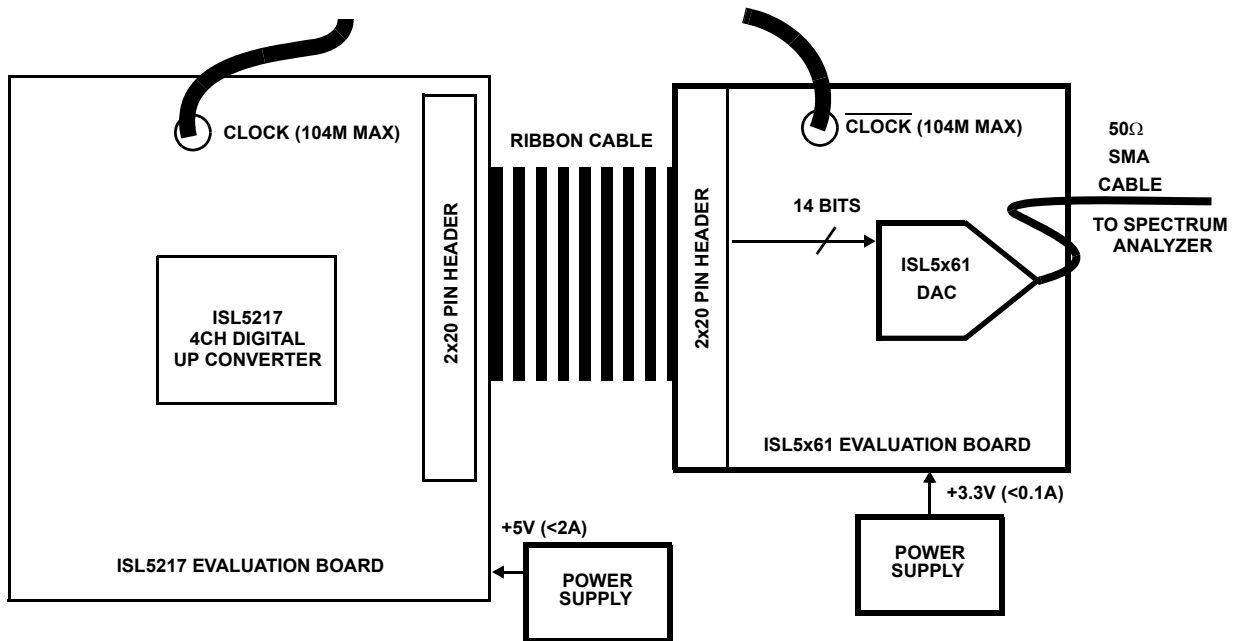


FIGURE 2. INTERSIL ISL5x61 + ISL5217 SETUP BLOCK DIAGRAM

Notice

1. Descriptions of circuits, software and other related information in this document are provided only to illustrate the operation of semiconductor products and application examples. You are fully responsible for the incorporation or any other use of the circuits, software, and information in the design of your product or system. Renesas Electronics disclaims any and all liability for any losses and damages incurred by you or third parties arising from the use of these circuits, software, or information.
2. Renesas Electronics hereby expressly disclaims any warranties against and liability for infringement or any other claims involving patents, copyrights, or other intellectual property rights of third parties, by or arising from the use of Renesas Electronics products or technical information described in this document, including but not limited to, the product data, drawings, charts, programs, algorithms, and application examples.
3. No license, express, implied or otherwise, is granted hereby under any patents, copyrights or other intellectual property rights of Renesas Electronics or others.
4. You shall not alter, modify, copy, or reverse engineer any Renesas Electronics product, whether in whole or in part. Renesas Electronics disclaims any and all liability for any losses or damages incurred by you or third parties arising from such alteration, modification, copying or reverse engineering.
5. Renesas Electronics products are classified according to the following two quality grades: "Standard" and "High Quality". The intended applications for each Renesas Electronics product depends on the product's quality grade, as indicated below.
"Standard": Computers; office equipment; communications equipment; test and measurement equipment; audio and visual equipment; home electronic appliances; machine tools; personal electronic equipment; industrial robots; etc.
"High Quality": Transportation equipment (automobiles, trains, ships, etc.); traffic control (traffic lights); large-scale communication equipment; key financial terminal systems; safety control equipment; etc.
Unless expressly designated as a high reliability product or a product for harsh environments in a Renesas Electronics data sheet or other Renesas Electronics document, Renesas Electronics products are not intended or authorized for use in products or systems that may pose a direct threat to human life or bodily injury (artificial life support devices or systems; surgical implantations; etc.), or may cause serious property damage (space system; undersea repeaters; nuclear power control systems; aircraft control systems; key plant systems; military equipment; etc.). Renesas Electronics disclaims any and all liability for any damages or losses incurred by you or any third parties arising from the use of any Renesas Electronics product that is inconsistent with any Renesas Electronics data sheet, user's manual or other Renesas Electronics document.
6. When using Renesas Electronics products, refer to the latest product information (data sheets, user's manuals, application notes, "General Notes for Handling and Using Semiconductor Devices" in the reliability handbook, etc.), and ensure that usage conditions are within the ranges specified by Renesas Electronics with respect to maximum ratings, operating power supply voltage range, heat dissipation characteristics, installation, etc. Renesas Electronics disclaims any and all liability for any malfunctions, failure or accident arising out of the use of Renesas Electronics products outside of such specified ranges.
7. Although Renesas Electronics endeavors to improve the quality and reliability of Renesas Electronics products, semiconductor products have specific characteristics, such as the occurrence of failure at a certain rate and malfunctions under certain use conditions. Unless designated as a high reliability product or a product for harsh environments in a Renesas Electronics data sheet or other Renesas Electronics document, Renesas Electronics products are not subject to radiation resistance design. You are responsible for implementing safety measures to guard against the possibility of bodily injury, injury or damage caused by fire, and/or danger to the public in the event of a failure or malfunction of Renesas Electronics products, such as safety design for hardware and software, including but not limited to redundancy, fire control and malfunction prevention, appropriate treatment for aging degradation or any other appropriate measures. Because the evaluation of microcomputer software alone is very difficult and impractical, you are responsible for evaluating the safety of the final products or systems manufactured by you.
8. Please contact a Renesas Electronics sales office for details as to environmental matters such as the environmental compatibility of each Renesas Electronics product. You are responsible for carefully and sufficiently investigating applicable laws and regulations that regulate the inclusion or use of controlled substances, including without limitation, the EU RoHS Directive, and using Renesas Electronics products in compliance with all these applicable laws and regulations. Renesas Electronics disclaims any and all liability for damages or losses occurring as a result of your noncompliance with applicable laws and regulations.
9. Renesas Electronics products and technologies shall not be used for or incorporated into any products or systems whose manufacture, use, or sale is prohibited under any applicable domestic or foreign laws or regulations. You shall comply with any applicable export control laws and regulations promulgated and administered by the governments of any countries asserting jurisdiction over the parties or transactions.
10. It is the responsibility of the buyer or distributor of Renesas Electronics products, or any other party who distributes, disposes of, or otherwise sells or transfers the product to a third party, to notify such third party in advance of the contents and conditions set forth in this document.
11. This document shall not be reprinted, reproduced or duplicated in any form, in whole or in part, without prior written consent of Renesas Electronics.
12. Please contact a Renesas Electronics sales office if you have any questions regarding the information contained in this document or Renesas Electronics products.
(Note 1) "Renesas Electronics" as used in this document means Renesas Electronics Corporation and also includes its directly or indirectly controlled subsidiaries.
(Note 2) "Renesas Electronics product(s)" means any product developed or manufactured by or for Renesas Electronics.

(Rev.4.0-1 November 2017)



SALES OFFICES

Renesas Electronics Corporation

<http://www.renesas.com>

Refer to "<http://www.renesas.com/>" for the latest and detailed information.

Renesas Electronics America Inc.
1001 Murphy Ranch Road, Milpitas, CA 95035, U.S.A.
Tel: +1-408-432-8888, Fax: +1-408-434-5351

Renesas Electronics Canada Limited
9251 Yonge Street, Suite 8309 Richmond Hill, Ontario Canada L4C 9T3
Tel: +1-905-237-2004

Renesas Electronics Europe Limited
Dukes Meadow, Millboard Road, Bourne End, Buckinghamshire, SL8 5FH, U.K
Tel: +44-1628-651-700, Fax: +44-1628-651-804

Renesas Electronics Europe GmbH
Arcadiastrasse 10, 40472 Düsseldorf, Germany
Tel: +49-211-6503-0, Fax: +49-211-6503-1327

Renesas Electronics (China) Co., Ltd.
Room 1709 Quantum Plaza, No.27 ZhichunLu, Haidian District, Beijing, 100191 P. R. China
Tel: +86-10-8235-1155, Fax: +86-10-8235-7679

Renesas Electronics (Shanghai) Co., Ltd.
Unit 301, Tower A, Central Towers, 555 Langao Road, Putuo District, Shanghai, 200333 P. R. China
Tel: +86-21-2226-0888, Fax: +86-21-2226-0999

Renesas Electronics Hong Kong Limited
Unit 1601-1611, 16/F., Tower 2, Grand Century Place, 193 Prince Edward Road West, Mongkok, Kowloon, Hong Kong
Tel: +852-2265-6688, Fax: +852-2886-9022

Renesas Electronics Taiwan Co., Ltd.
13F, No. 363, Fu Shing North Road, Taipei 10543, Taiwan
Tel: +886-2-8175-9600, Fax: +886-2-8175-9670

Renesas Electronics Singapore Pte. Ltd.
80 Bendemeer Road, Unit #06-02 Hyflux Innovation Centre, Singapore 339949
Tel: +65-6213-0200, Fax: +65-6213-0300

Renesas Electronics Malaysia Sdn.Bhd.
Unit 1207, Block B, Menara Amcorp, Amcorp Trade Centre, No. 18, Jln Persiaran Barat, 46050 Petaling Jaya, Selangor Darul Ehsan, Malaysia
Tel: +60-3-7955-9390, Fax: +60-3-7955-9510

Renesas Electronics India Pvt. Ltd.
No.777C, 100 Feet Road, HAL 2nd Stage, Indiranagar, Bangalore 560 038, India
Tel: +91-80-67208700, Fax: +91-80-67208777

Renesas Electronics Korea Co., Ltd.
17F, KAMCO Yangjae Tower, 262, Gangnam-daero, Gangnam-gu, Seoul, 06265 Korea
Tel: +82-2-558-3737, Fax: +82-2-558-5338