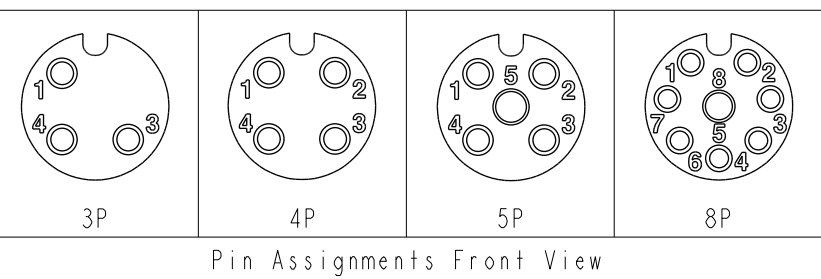
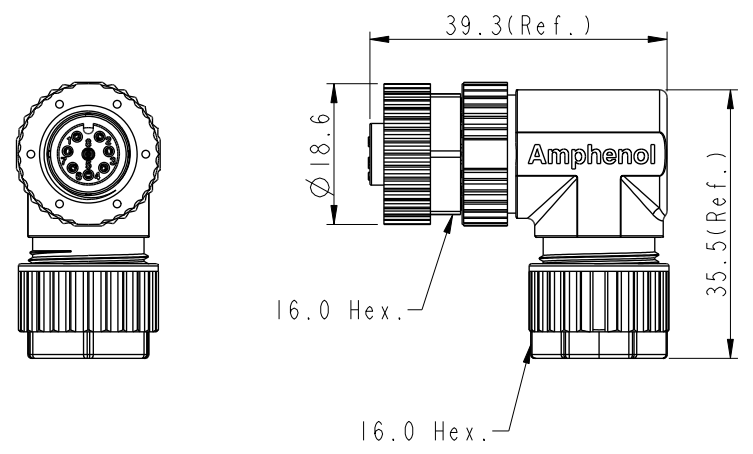
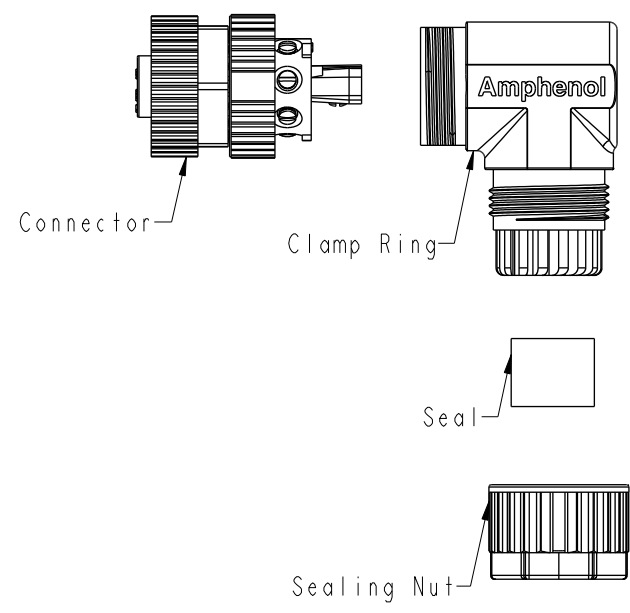


THIS DOCUMENT IS SUBJECT TO CHANGE WITHOUT NOTICE. IT IS CONFIDENTIAL AND A PROPERTY OF Amphenol LTW. DISCLOSURE TO THIRD PARTY HAS TO BE AUTHORIZED BY Amphenol LTW.

REV.	ECN NO.	DATE	SIGN	DESCRIPTION
B	C210561	2021/04/14	Vicky	$\triangle B$ X4



$\triangle B$   
MSAP-XXBFFB-SR7001  
XX: No. Of Pin

- $\triangle B$   
Note:
- \* RoHS Compliant
  - \*  $\text{\textcircled{D}}$  Important Dimension
  - \* Waterproof rate: IPX7, mated
  - \* Connector
  - Housing: Thermoplastic, Black
  - Pin: Copper alloy, Gold plated
  - Extension Nut: Thermoplastic, Black
  - Nut: Thermoplastic, Black
  - O-Ring: Rubber, Gray
  - \* Clamp Ring: Thermoplastic, Black
  - \* Sealing Nut: Thermoplastic, Black
  - \* Seal: Rubber, Gray, OD:  $\varnothing 4.0\text{mm} - \varnothing 7.0\text{mm}$
  - \* One set unassembled in one pe bag

UNIT: mm		TITLE N SEN, M12 A -PLASTIC, SCREW $\triangle B$ CABLE W/O SR, F, F, FI SCREW IN
TOLERANCE .X $\pm 0.25$ .XX $\pm 0.1$ .XXX $\pm 0.05$ ANGLES $\pm 1^\circ$	$\triangle B$	SCALE 1:1 SIZE A4 SHEET 1 OF 1 REV. B WC-REV. A.2 $\text{\textcircled{C}}$ : Inspection item

<b>Amphenol LTW</b> 安費諾亮泰企業股份有限公司		ITEM NO	DRAWN BY Mila	DATE 2015-09-29
		DWG NO MSAP-XXBFFB-SR7001	CHECKED BY Cary	DATE 2015-09-29
		CUSTOMER ALTW	APPROVED BY Jerry	DATE 2015-09-29