

NOTES:

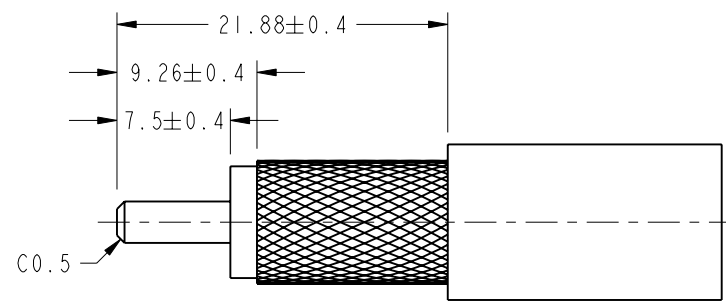
1. MATERIALS AND FINISHES:
 - BODY - BRASS, WHITE BRONZE PLATING
 - CONTACT - BRASS, GOLD PLATING
 - INSULATORS - PTFE, NATURAL
 - COUPLING NUT - BRASS, WHITE BRONZE PLATING
 - GASKET - SILICON RUBBER, RED
 - FERRULE - COPPER, WHITE BRONZE PLATING
 - HEAT SHRINK TUBING - CROSSLINKED POLYOLEFIN
2. ELECTRICAL:
 - A. IMPEDANCE: 50 OHM
 - B. FREQUENCY RANGE: DC - 6 GHz
 - C. DIELECTRIC WITHSTANDING VOLTAGE: 1000 VRMS, MIN.
3. MECHANICAL:
 - A. DURABILITY: 500 CYCLES MIN.
 - B. TEMPERATURE RANGE: -65° C TO +165° C
4. PACKAGING:
 - A. QUANTITY: SINGLE PACK
 - B. MARKING: BAG TO BE MARKED "AMPHENOL RF, 82-6642, AND DATE CODE"
5. RECOMMENDED CABLE ASSEMBLY INSTRUCTIONS:
 - A. TRIM CABLE AS SHOWN.
 - B. SLIDE HEAT SHRINK TUBING, FERRULE AND INSULATOR DISC ONTO CABLE.
 - C. SOLDER CABLE CENTER CONDUCTOR TO CONTACT.
 - D. INSERT CABLE WITH FOIL ENTERING CONNECTOR AND BRAID OVER KNURL.
 - E. CRIMP FERRULE OVER BRAID WITH 0.429" HEX DIE.
 - F. APPLY HEAT SHRINK TUBING OVER FERRULE.

6. SHOW CABLE ENTRY DIMENSIONS.

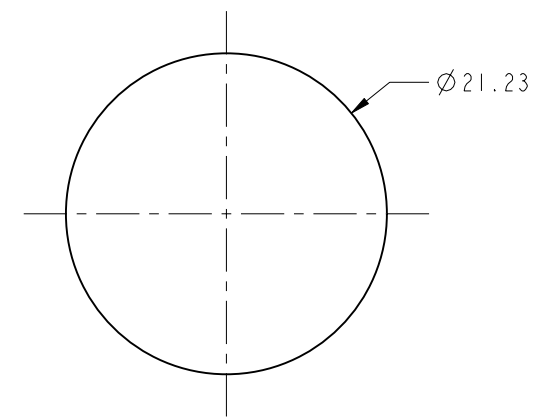
THIRD ANGLE PROJ.

REVISIONS

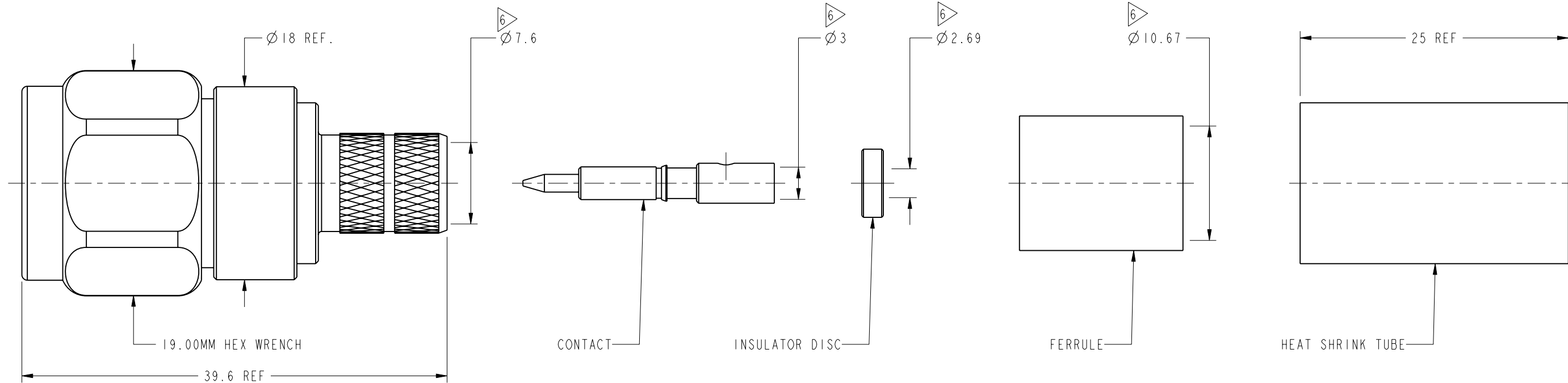
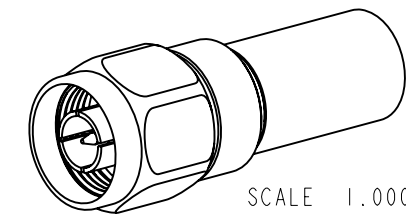
| REV | DESCRIPTION | DATE | ECO | APPR |
|-----|-----------------|-----------|------|------|
| A | RELEASE TO MFG. | 19-Jun-17 | 4004 | RM |



RECOMMENDED CABLE STRIPPING DIMENSIONS



MIN PASS THRU DIAMETER



CUSTOMER OUTLINE DRAWING

ALL OTHER SHEETS ARE FOR INTERNAL USE ONLY

| | | | | | | | |
|---|------------------------------|--------------|-----------|--|----------|-----------------------------------|-----|
| UNLESS OTHERWISE SPECIFIED, DIMENSIONS ARE IN METRIC AND TOLERANCES ARE: <0.5mm ±0.05mm 0.5 - 6mm ±0.1mm 6 - 30mm ±0.2mm 30 - 120mm ±0.3mm ANGLES ±1° | MATERIAL | DRAWN | DATE | TITLE N STR PLUG FOR LMR-400 CABLE | | Amphenol RF www.amphenolrf.com | |
| | SEE NOTES | B. GREENBAUM | 30-Jan-17 | | | | |
| NOTICE - These drawings, specifications, or other data (1) are, and remain the property of Amphenol corp. (2) must be returned upon request; and (3) are confidential and not to be disclosed to any person other than those to whom they are given by Amphenol Corp. the furnishing of these drawings, specifications, or other data by Amphenol Corp., or to any other person to anyone for any purpose is not to be regarded by implication or otherwise in any manner licensing, granting rights to permitting such holder or any other person to manufacture, use or sell any product, process or design, patented or otherwise, that may in any way be related to or disclosed by said drawings, specifications, or other data. | REFERENCE | ENGINEER | DATE | SCALE: 2.5:1.0 SHEET 2 OF 2 | | DRAWING NO. 82-6642 | |
| | EAR # 7407 | B. GREENBAUM | 30-Jan-17 | | | ITEM NO. 82-6642 | |
| | CONFIGURATION LEVEL: In Work | APPROVED | S. HSIEH | DATE | DWG SIZE | | REV |
| FINISH | | | 19-Jun-17 | B | | A | |
| | | | | | | PART NO. 82-6642 | |