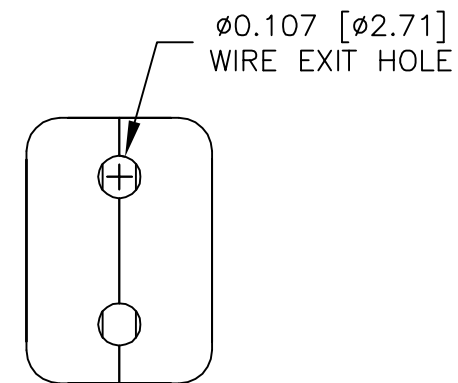
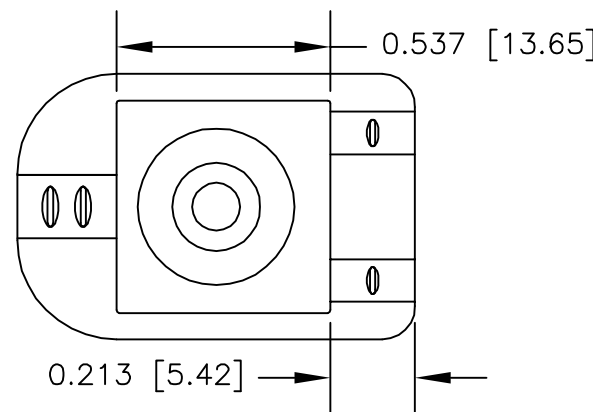
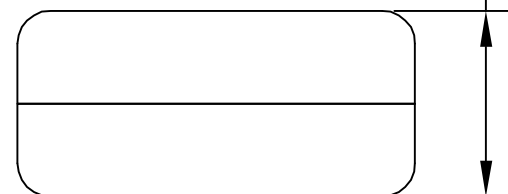
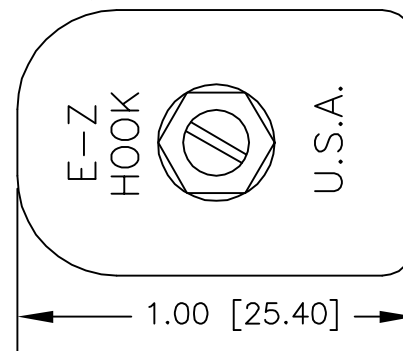


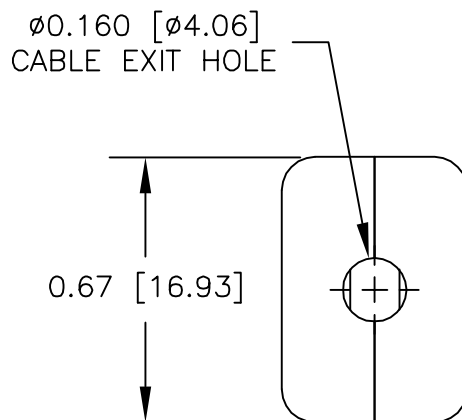
NOTES: UNLESS OTHERWISE SPECIFIED

- CONSTRUCTION:
HOUSING: MOLDED NYLON. AVAILABLE IN BLACK.
- PERFORMANCE:
MAXIMUM CURRENT: XX
MAXIMUM VOLTAGE: XX
MAXIMUM TEMPERATURE: XX
- FEATURES:
BUILT IN STRAIN RELIEF.

		REVISIONS	DATE	APPROVED
LTR		DESCRIPTION		



ACTUAL SIZE



0.160 [4.06]
CABLE EXIT HOLE

0.107 [2.71]
WIRE EXIT HOLE

		UNLESS OTHERWISE SPECIFIED DIMENSIONS ARE IN INCHES TOLERANCES ARE: FRACTIONS DECIMALS ANGLES ± .XX ± ± .XXX ±	CONTRACT NO.		E-Z-HOOK DIVISION OF TEKTEST INC. ARCADIA, CA 91006 U.S.A.			
			APPROVALS	DATE				
		MATERIAL SEE NOTE.	DRAWN	R.L.	10/10	DESCRIPTION IN-LINE Y BLOCK FOR MINIATURE CABLE		
			APPROVED BY			SIZE	CODE IDENT NO.	DRAWING NO.
NEXT ASSY		FINISH SEE NOTE.			A	08505	Y3000	
USED ON					SCALE	2:1		SHEET 1 OF 1
APPLICATION		DO NOT SCALE DRAWING						