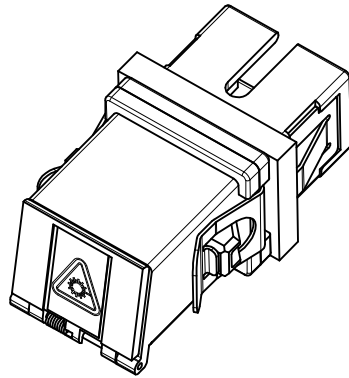
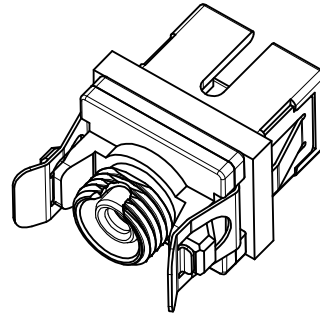


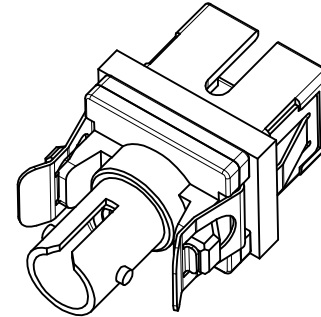
SHOWN WITH DUST CAP  
INSTALLED (NO MODULE)



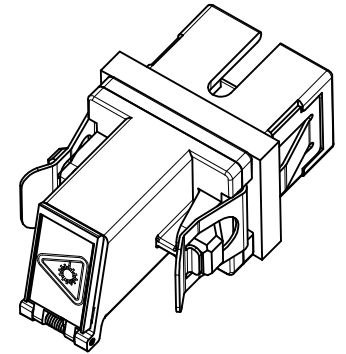
SC-SC VERSIONS  
SEE SHEET 3



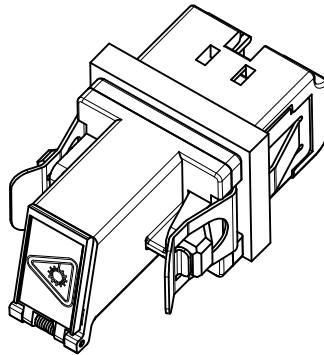
SC-FC VERSIONS  
SEE SHEET 4



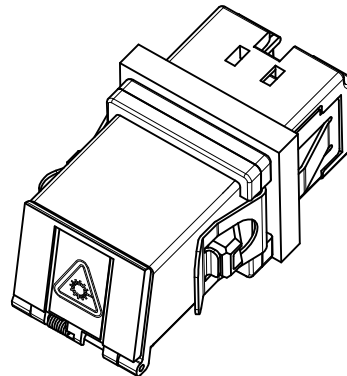
SC-ST VERSIONS  
SEE SHEET 5



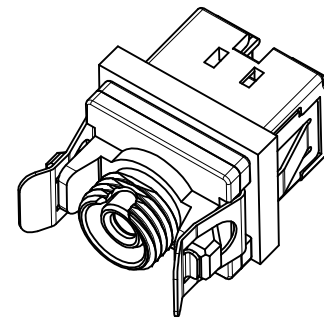
SC-LC VERSION  
SEE SHEET 6



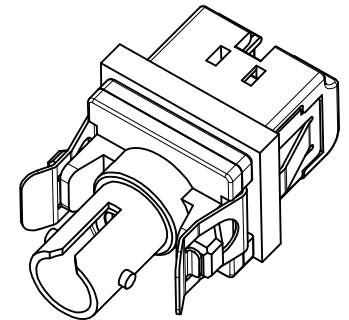
LC-LC VERSIONS  
SEE SHEET 7



LC-SC VERSION  
SEE SHEET 8



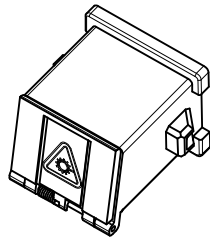
LC-FC VERSION  
SEE SHEET 9



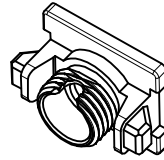
LC-ST VERSION  
SEE SHEET 10

<b>ENTER DESCRIPTION</b> EC NO: MF2010-0212 DRAWN: SERNST CHKD: DSZILAGYI APPR: SMIGO 2009/11/09 2009/11/11 2009/11/11	<b>QUALITY SYMBOLS</b> =0 =0	<b>GENERAL TOLERANCES (UNLESS SPECIFIED)</b>		<b>DIMENSION STYLE</b> MM/IN		SCALE 2.5:1	DESIGN UNITS METRIC	THIRD ANGLE PROJECTION		
		4 PLACES	± ---	± ---	DRAWN BY	DATE	<b>TITLE</b> UNIVERSAL EMI ADAPTER			
		3 PLACES	± ---	± ---	SERNST	2006/02/13				
		2 PLACES	± ---	± ---	CHECKED BY	DATE	<b>MATERIAL NO.</b> SEE TABLES			
1 PLACE	± ---	± ---	DSZILAGYI	2006/03/07						
ANGULAR ± 1 °		DRAFT WHERE APPLICABLE MUST REMAIN WITHIN DIMENSIONS		APPROVED BY SMIGO		DATE 2006/03/07	<b>MOLEX INCORPORATED</b>		SHEET NO. 1 OF 10	
<b>REV</b> A4		<b>DESCRIPTION</b>		MATERIAL NO. SEE TABLES		DOCUMENT NO. SD-106154-001		THIS DRAWING CONTAINS INFORMATION THAT IS PROPRIETARY TO MOLEX INCORPORATED AND SHOULD NOT BE USED WITHOUT WRITTEN PERMISSION		

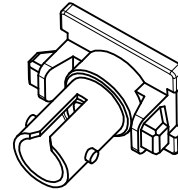
MODULE P/N	TYPE	COLOR
1061540020	SC	BLUE
1061540022		BEIGE
1061540025		GREEN
1061540031	FC	BLUE
1061540033		BEIGE
1061540036		GREEN
1061540041	ST	BLUE
1061540043		BEIGE
1061540130	LC	BLUE
1061540131		BEIGE
1061540132		GREEN



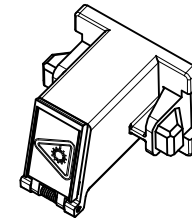
SC



FC

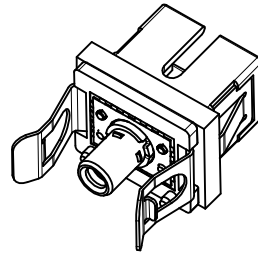


ST

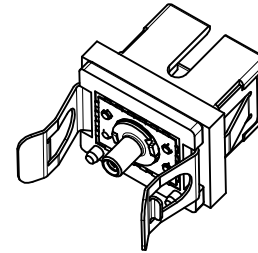


LC

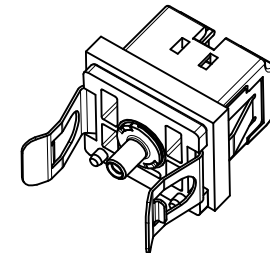
BASE P/N	TYPE	SLEEVE MAT'L	TYPE
1061540010	SINGLE MODE	ZIRCONIA	SC BASE TO 2.5mm
1061540012	MULTIMODE	PHOS BRONZE	SC BASE TO 1.25mm
1061540013	SM/MM	NICKEL	SC BASE TO 1.25mm
1061540210	SINGLE MODE	ZIRCONIA	LC BASE TO 1.25mm
1061540212	MULTIMODE	PHOS BRONZE	LC BASE TO 1.25mm
1061540213	SM/MM	NICKEL	LC BASE TO 2.5mm



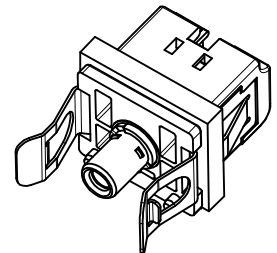
SC TO 2.5mm



SC TO 1.25mm



LC TO 1.25mm



LC TO 2.5mm

SLEEVE ASBY	TYPE	SLEEVE MAT'L	TYPE
1061540050	SINGLE MODE	ZIRCONIA	2.5mm
1061540051	MULTIMODE	PHOS BRONZE	
1061540052	SINGLE MODE	ZIRCONIA	1.25mm
1061540053	MULTIMODE	PHOS BRONZE	
1061540054	SM/MM	NICKEL	HYBRID 1.25 TO 2.5mm



2.5mm

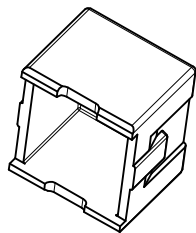


1.25mm



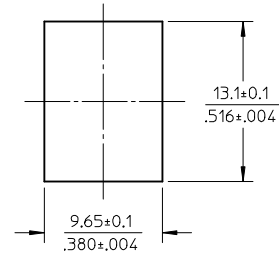
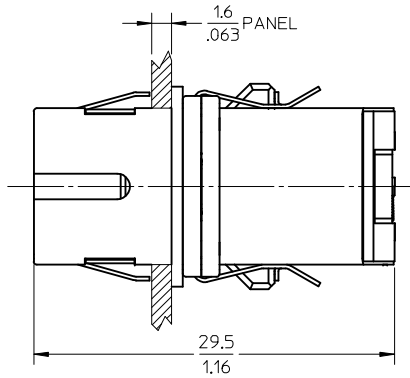
HYBRID

DUST CAP  
P/N 1061540006

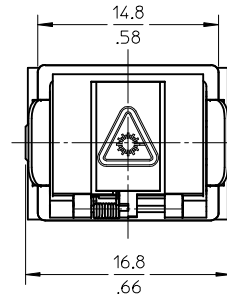
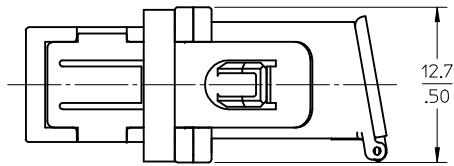


<b>ENTER DESCRIPTION</b> EC NO: MF2010-0212 DRWN:SERNST 2009/11/09 CHKD: 2009/11/11 APPR:SM1GO 2009/11/11 REV A4	<b>QUALITY SYMBOLS</b> ▽=0 ▽=0	GENERAL TOLERANCES (UNLESS SPECIFIED)		DIMENSION STYLE MM/IN		SCALE 2:1	DESIGN UNITS METRIC	THIRD ANGLE PROJECTION			
		4 PLACES ± --- ± --- 3 PLACES ± --- ± --- 2 PLACES ± --- ± --- 1 PLACE ± --- ± ---	mm INCH	DRAWN BY SERNST	DATE 2006/02/13	TITLE UNIVERSAL EMI ADAPTER					
		ANGULAR ± 1 °		CHECKED BY DSZILAGYI	DATE 2006/03/07						
		DRAFT WHERE APPLICABLE MUST REMAIN WITHIN DIMENSIONS		MATERIAL NO. SM1GO		APPROVED BY SM1GO		DATE 2006/03/07	MOLEX INCORPORATED		
				SEE TABLES		DOCUMENT NO. SD-106154-001		SHEET NO. 2 OF 10			
THIS DRAWING CONTAINS INFORMATION THAT IS PROPRIETARY TO MOLEX INCORPORATED AND SHOULD NOT BE USED WITHOUT WRITTEN PERMISSION											

ADAPTER P/N	STYLE	TYPE	SLEEVE MAT'L	MODULE COLOR
1061541000	SC-SC	SINGLE MODE	ZIRCONIA	BLUE
1061541005	SC-SC/APC			GREEN
1061541001	SC-SC	MULTIMODE	PHOSPHOR BRONZE	BEIGE



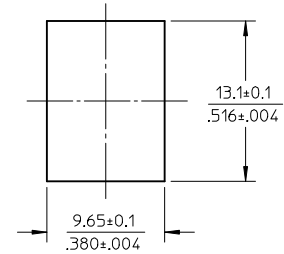
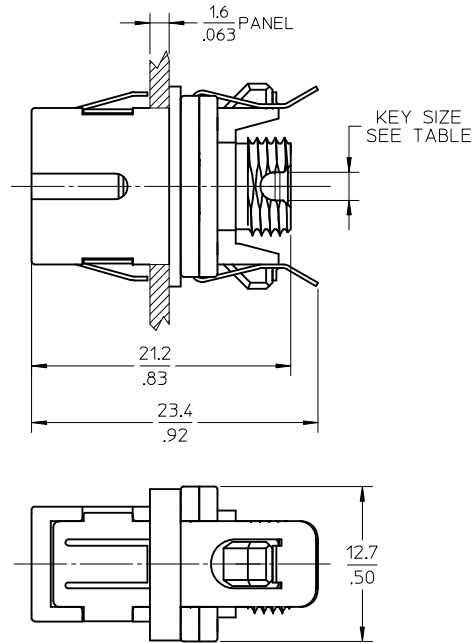
RECOMMENDED MOUNTING CUTOUT  
(1.6mm THICK PANEL)



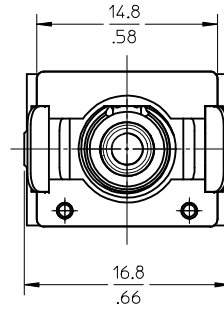
- NOTES:
- ALL DIMENSIONS ARE FOR REFERENCE ONLY.
  - PACKAGING: ADAPTERS AND DUSTCAPS ARE PACKED IN A PLASTIC TRAY.

<b>ENTER DESCRIPTION</b> EC NO: MF2010-0212 DRAWN: SERNST 2009/11/09 CHKD: SM IGO 2009/11/11 APPR: SM IGO 2009/11/11 REV: A4	QUALITY SYMBOLS ▽=0 ▽=0	GENERAL TOLERANCES (UNLESS SPECIFIED) mm INCH 4 PLACES ± --- ± --- 3 PLACES ± --- ± --- 2 PLACES ± --- ± --- 1 PLACE ± --- ± --- ANGULAR ± 1°	DIMENSION STYLE MM/IN DRAWN BY DATE SERNST 2006/02/13 CHECKED BY DATE DSZILAGYI 2006/03/07 APPROVED BY DATE SM IGO 2006/03/07	SCALE 2.5:1 DESIGN UNITS METRIC THIRD ANGLE PROJECTION	TITLE UNIVERSAL EMI ADAPTER
	DRAFT WHERE APPLICABLE MUST REMAIN WITHIN DIMENSIONS		MATERIAL NO. SEE TABLE	DOCUMENT NO. SD-106154-001	SHEET NO. 3 OF 10
	Molex MOLEX INCORPORATED THIS DRAWING CONTAINS INFORMATION THAT IS PROPRIETARY TO MOLEX INCORPORATED AND SHOULD NOT BE USED WITHOUT WRITTEN PERMISSION				
	THIS DRAWING CONTAINS INFORMATION THAT IS PROPRIETARY TO MOLEX INCORPORATED AND SHOULD NOT BE USED WITHOUT WRITTEN PERMISSION				

ADAPTER P/N	STYLE	TYPE	SLEEVE MAT'L	MODULE COLOR	KEY SIZE (mm)
1061541010	SC-FC	SINGLE MODE	ZIRCONIA	BLUE	2.3
1061541015	SC-FC/APC			GREEN	2
1061541011	SC-FC	MULTIMODE	PHOSPHOR BRONZE	BEIGE	2.3



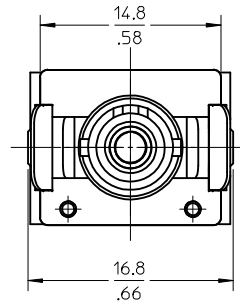
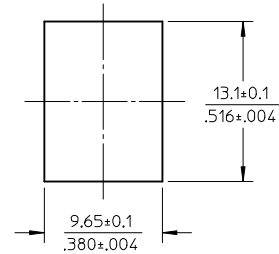
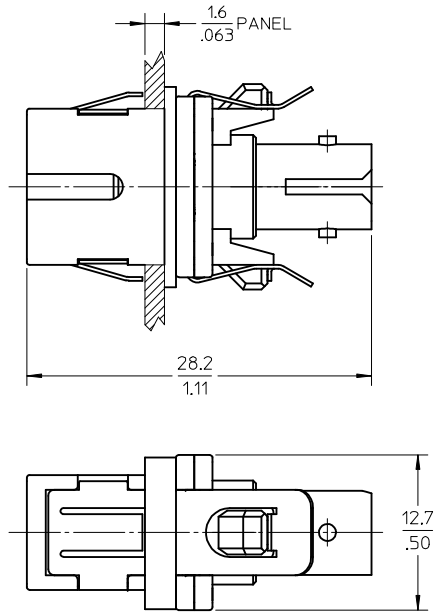
RECOMMENDED MOUNTING CUTOUT  
(1.6mm THICK PANEL)



- NOTES:
- ALL DIMENSIONS ARE FOR REFERENCE ONLY.
  - PACKAGING: ADAPTERS AND DUSTCAPS ARE PACKED IN A PLASTIC TRAY.

<b>ENTER DESCRIPTION</b> EC NO: MF2010-0212 DRAWN: SERNST 2009/11/09 CHKD: 2009/11/11 APPR: SMIGO 2009/11/11 REV: A4	QUALITY SYMBOLS ▽=0 ▽=0	GENERAL TOLERANCES (UNLESS SPECIFIED) mm INCH 4 PLACES ± --- ± --- 3 PLACES ± --- ± --- 2 PLACES ± --- ± --- 1 PLACE ± --- ± --- ANGULAR ± 1°	DIMENSION STYLE MM/IN DRAWN BY DATE SERNST 2006/02/13 CHECKED BY DATE DSZILAGYI 2006/03/07 APPROVED BY DATE SMIGO 2006/03/07	SCALE 2.5:1 DESIGN UNITS METRIC THIRD ANGLE PROJECTION	TITLE UNIVERSAL EMI ADAPTER
	DRAFT WHERE APPLICABLE MUST REMAIN WITHIN DIMENSIONS		MATERIAL NO. SEE TABLE	DOCUMENT NO. SD-106154-001	SHEET NO. 4 OF 10
	THIS DRAWING CONTAINS INFORMATION THAT IS PROPRIETARY TO MOLEX INCORPORATED AND SHOULD NOT BE USED WITHOUT WRITTEN PERMISSION				
	MOLEX INCORPORATED				

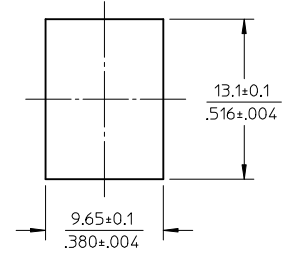
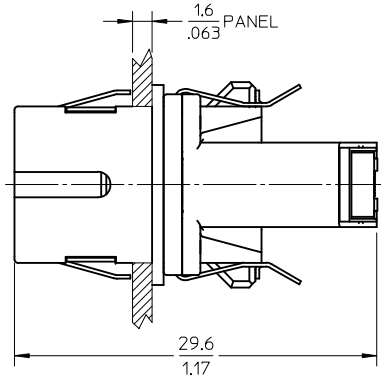
ADAPTER P/N	STYLE	TYPE	SLEEVE MAT'L	MODULE COLOR
1061541020	SC-ST	SINGLE MODE	ZIRCONIA	BLUE
1061541021		MULTIMODE	PHOS BRONZE	BEIGE



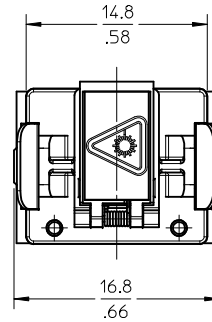
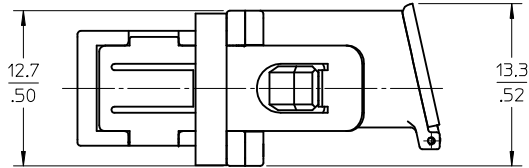
- NOTES:
- ALL DIMENSIONS ARE FOR REFERENCE ONLY.
  - PACKAGING: ADAPTERS AND DUSTCAPS ARE PACKED IN A PLASTIC TRAY.

<b>ENTER DESCRIPTION</b> EC NO: MF2010-0212 DRAWN: SERNST 2009/11/09 CHKD: SM IGO 2009/11/11 APPR: SM IGO 2009/11/11	<b>QUALITY SYMBOLS</b> ▽=0 ▽=0	<b>GENERAL TOLERANCES (UNLESS SPECIFIED)</b>		<b>DIMENSION STYLE</b> MM/IN		SCALE 2.5:1	DESIGN UNITS METRIC	THIRD ANGLE PROJECTION	
		4 PLACES ± --- ± ---	DRAWN BY SERNST	DATE 2006/02/13	TITLE UNIVERSAL EMI ADAPTER				
		3 PLACES ± --- ± ---	CHECKED BY DSZILAGYI	DATE 2006/03/07					
		2 PLACES ± --- ± ---	APPROVED BY SM IGO	DATE 2006/03/07	MATERIAL NO. SEE TABLE			DOCUMENT NO. SD-106154-001	
1 PLACE ± --- ± ---	ANGULAR ± 1°								
DRAFT WHERE APPLICABLE MUST REMAIN WITHIN DIMENSIONS		MATERIAL NO. SEE TABLE		DOCUMENT NO. SD-106154-001		THIS DRAWING CONTAINS INFORMATION THAT IS PROPRIETARY TO MOLEX INCORPORATED AND SHOULD NOT BE USED WITHOUT WRITTEN PERMISSION			

ADAPTER P/N	STYLE	TYPE	SLEEVE MAT'L	MODULE COLOR
1061541030	SC-LC	SM OR MM	NICKEL	BEIGE



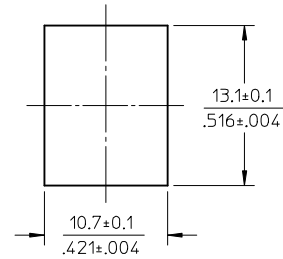
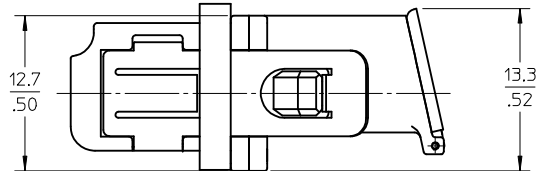
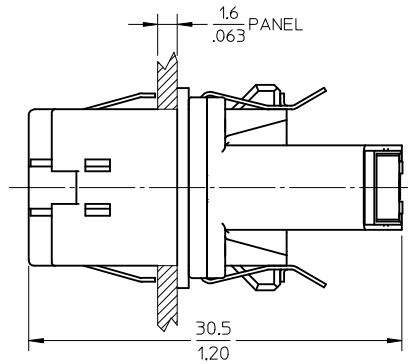
RECOMMENDED MOUNTING CUTOUT  
(1.6mm THICK PANEL)



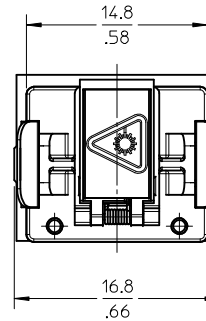
- NOTES:
- ALL DIMENSIONS ARE FOR REFERENCE ONLY.
  - PACKAGING: ADAPTERS AND DUSTCAPS ARE PACKED IN A PLASTIC TRAY.

ENTER DESCRIPTION EC NO: MF2010-0212 DRAWN: SERNST CHKD: DSZILAGYI APPR: SMIGO	DESCRIPTION REV: A4	QUALITY SYMBOLS	GENERAL TOLERANCES (UNLESS SPECIFIED)	DIMENSION STYLE	SCALE	DESIGN UNITS	THIRD ANGLE PROJECTION
		$\nabla=0$ $\nabla=0$	mm INCH	MM/IN	2.5:1	METRIC	UNIVERSAL EMI ADAPTER
		4 PLACES ± --- ± --- 3 PLACES ± --- ± --- 2 PLACES ± --- ± --- 1 PLACE ± --- ± ---	DRAWN BY DATE SERNST 2006/02/13 CHECKED BY DATE DSZILAGYI 2006/03/07 APPROVED BY DATE SMIGO 2006/03/07	MATERIAL NO. SEE TABLE	DOCUMENT NO. SD-106154-001	SHEET NO. 6 OF 10	
		ANGULAR ± 1°	DRAFT WHERE APPLICABLE MUST REMAIN WITHIN DIMENSIONS	THIS DRAWING CONTAINS INFORMATION THAT IS PROPRIETARY TO MOLEX INCORPORATED AND SHOULD NOT BE USED WITHOUT WRITTEN PERMISSION			
		Molex MOLEX INCORPORATED					

ADAPTER P/N	STYLE	TYPE	SLEEVE MAT'L	MODULE COLOR
1061541530	LC-LC	SINGLE MODE	ZIRCONIA	BLUE
1061541535	LC-LC/APC			GREEN
1061541531	LC-LC	MULTIMODE	PHOSPHOR BRONZE	BEIGE



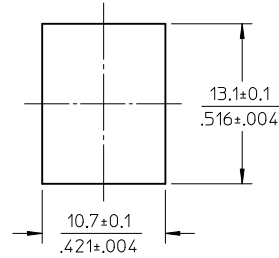
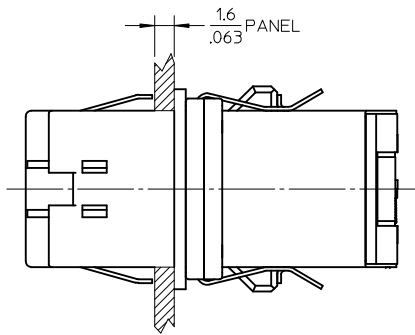
RECOMMENDED MOUNTING CUTOUT  
(1.6mm THICK PANEL)



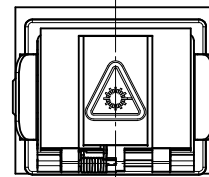
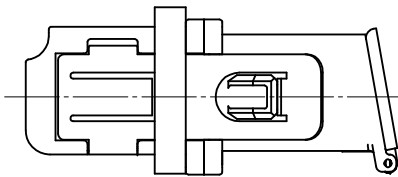
- NOTES:
- ALL DIMENSIONS ARE FOR REFERENCE ONLY.
  - PACKAGING: ADAPTERS AND DUSTCAPS ARE PACKED IN A PLASTIC TRAY.

<b>ENTER DESCRIPTION</b> EC NO: MF2010-0212 DRAWN: SERNST 2009/11/09 CHKD: 2009/11/11 APPR: SMIGO 2009/11/11 A4	QUALITY SYMBOLS ▽=0 ▽=0	GENERAL TOLERANCES (UNLESS SPECIFIED) mm INCH 4 PLACES ± --- ± --- 3 PLACES ± --- ± --- 2 PLACES ± --- ± --- 1 PLACE ± --- ± --- ANGULAR ± 1°	DIMENSION STYLE MM/IN DRAWN BY DATE SERNST 2006/02/13 CHECKED BY DATE DSZILAGYI 2006/03/07 APPROVED BY DATE SMIGO 2006/03/07	SCALE 2.5:1 DESIGN UNITS METRIC THIRD ANGLE PROJECTION	TITLE UNIVERSAL EMI ADAPTER
	DRAFT WHERE APPLICABLE MUST REMAIN WITHIN DIMENSIONS		MATERIAL NO. SEE TABLE	DOCUMENT NO. SD-106154-001	SHEET NO. 7 OF 10
	THIS DRAWING CONTAINS INFORMATION THAT IS PROPRIETARY TO MOLEX INCORPORATED AND SHOULD NOT BE USED WITHOUT WRITTEN PERMISSION				
	MOLEX INCORPORATED				

ADAPTER P/N	STYLE	TYPE	SLEEVE MAT'L	MODULE COLOR
1061541500	LC-SC	SM OR MM	NICKEL	BEIGE



RECOMMENDED MOUNTING CUTOUT  
(1.6mm THICK PANEL)

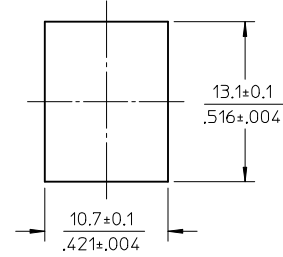
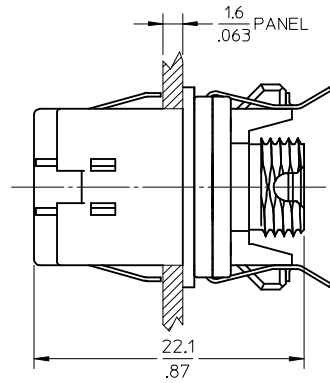


- NOTES:
1. ALL DIMENSIONS ARE FOR REFERENCE ONLY.
  2. PACKAGING: ADAPTERS AND DUSTCAPS ARE PACKED IN A PLASTIC TRAY.

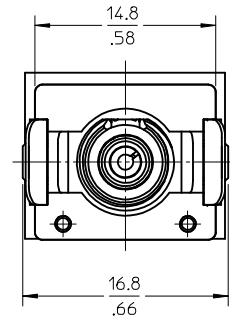
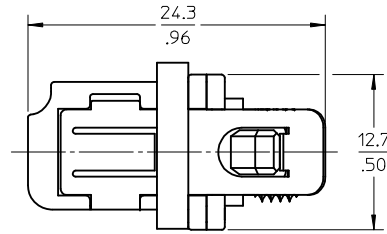
<b>ENTER DESCRIPTION</b> EC NO: MF2010-0212 DRWN:SERNST 2009/11/09 CHKD: 2009/11/11 APPR:SMIGO 2009/11/11	QUALITY SYMBOLS ▽=0 ▽=0	GENERAL TOLERANCES (UNLESS SPECIFIED)		DIMENSION STYLE <b>MM/IN</b>		SCALE <b>2.5:1</b>	DESIGN UNITS <b>METRIC</b>	THIRD ANGLE PROJECTION	
		mm	INCH	DRAWN BY	DATE	TITLE <b>UNIVERSAL EMI ADAPTER</b>			
	4 PLACES	± ---	± ---	SERNST	2006/02/13				
	3 PLACES	± ---	± ---	CHECKED BY	DATE	Molex <b>MOLEX INCORPORATED</b>			
2 PLACES	± ---	± ---	DSZILAGYI	2006/03/07					
1 PLACE	± ---	± ---	APPROVED BY	DATE	MATERIAL NO. <b>SEE TABLE</b>		DOCUMENT NO. <b>SD-106154-001</b>		SHEET NO. <b>8 OF 10</b>
DRAFT WHERE APPLICABLE MUST REMAIN WITHIN DIMENSIONS		ANGULAR ± 1 °		SIZE <b>B</b>		THIS DRAWING CONTAINS INFORMATION THAT IS PROPRIETARY TO MOLEX INCORPORATED AND SHOULD NOT BE USED WITHOUT WRITTEN PERMISSION			



ADAPTER P/N	STYLE	TYPE	SLEEVE MAT'L	MODULE COLOR
1061541510	LC-FC	SM OR MM	NICKEL	BEIGE



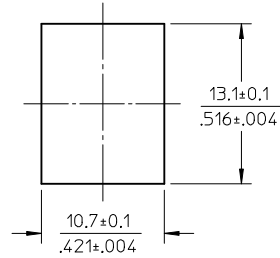
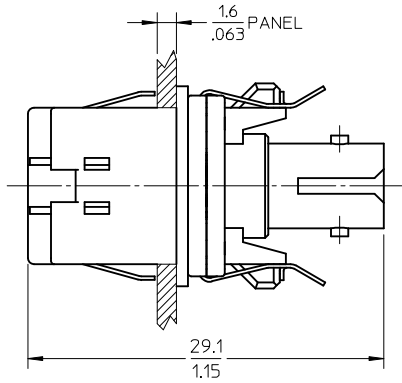
RECOMMENDED MOUNTING CUTOUT  
(1.6mm THICK PANEL)



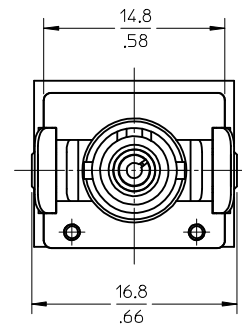
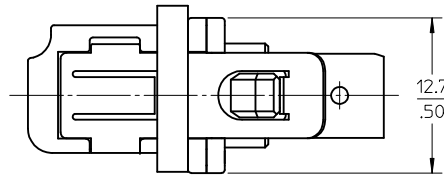
- NOTES:  
1. ALL DIMENSIONS ARE FOR REFERENCE ONLY.  
2. PACKAGING: ADAPTERS AND DUSTCAPS ARE PACKED IN A PLASTIC TRAY.

<b>ENTER DESCRIPTION</b> EC NO: MF2010-0212 DRAWN: SERNST 2009/11/09 CHKD: 2009/11/11 APPR: SMIGO 2009/11/11 A4	QUALITY SYMBOLS ▽=0 ▽=0	GENERAL TOLERANCES (UNLESS SPECIFIED)		DIMENSION STYLE MM/IN		SCALE 2.5:1	DESIGN UNITS METRIC	THIRD ANGLE PROJECTION		
		4 PLACES ± --- ± --- 3 PLACES ± --- ± --- 2 PLACES ± --- ± --- 1 PLACE ± --- ± ---	mm INCH	DRAWN BY DATE SERNST 2006/02/13	TITLE UNIVERSAL EMI ADAPTER					
		ANGULAR ± 1°		CHECKED BY DATE DSZILAGYI 2006/03/07	MOLEX INCORPORATED					
		DRAFT WHERE APPLICABLE MUST REMAIN WITHIN DIMENSIONS		APPROVED BY DATE SMIGO 2006/03/07	MATERIAL NO. SEE TABLE				DOCUMENT NO. SD-106154-001	SHEET NO. 9 OF 10
				THIS DRAWING CONTAINS INFORMATION THAT IS PROPRIETARY TO MOLEX INCORPORATED AND SHOULD NOT BE USED WITHOUT WRITTEN PERMISSION						

ADAPTER P/N	STYLE	TYPE	SLEEVE MAT'L	MODULE COLOR
1061541520	LC-ST	SM OR MM	NICKEL	BEIGE



RECOMMENDED MOUNTING CUTOUT  
(1.6mm THICK PANEL)



NOTES:  
1. ALL DIMENSIONS ARE FOR REFERENCE ONLY.  
2. PACKAGING: ADAPTERS AND DUSTCAPS ARE PACKED IN A PLASTIC TRAY.

<b>ENTER DESCRIPTION</b> EC NO: MF2010-0212 2009/11/09 DRWN:SERNST 2009/11/11 CHKD: 2009/11/11 APPR:SMIGO 2009/11/11	QUALITY SYMBOLS ▽=0 ▽=0	GENERAL TOLERANCES (UNLESS SPECIFIED) mm INCH 4 PLACES ± --- ± --- 3 PLACES ± --- ± --- 2 PLACES ± --- ± --- 1 PLACE ± --- ± --- ANGULAR ± 1°	DIMENSION STYLE MM/IN DRAWN BY DATE SERNST 2006/02/13 CHECKED BY DATE DSZILAGYI 2006/03/07 APPROVED BY DATE SMIGO 2006/03/07	SCALE 2.5:1 DESIGN UNITS METRIC THIRD ANGLE PROJECTION	TITLE UNIVERSAL EMI ADAPTER	
	MATERIAL NO. SEE TABLE	DOCUMENT NO. SD-106154-001	SHEET NO. 10 OF 10			
	DRAFT WHERE APPLICABLE MUST REMAIN WITHIN DIMENSIONS			THIS DRAWING CONTAINS INFORMATION THAT IS PROPRIETARY TO MOLEX INCORPORATED AND SHOULD NOT BE USED WITHOUT WRITTEN PERMISSION		
	A4	REV	SIZE B			