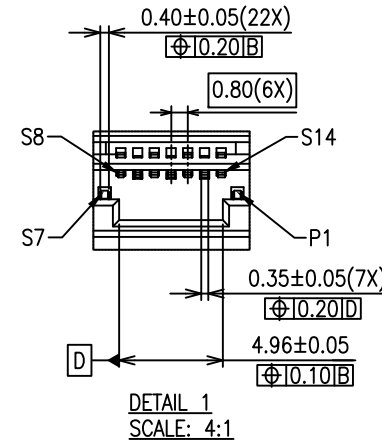
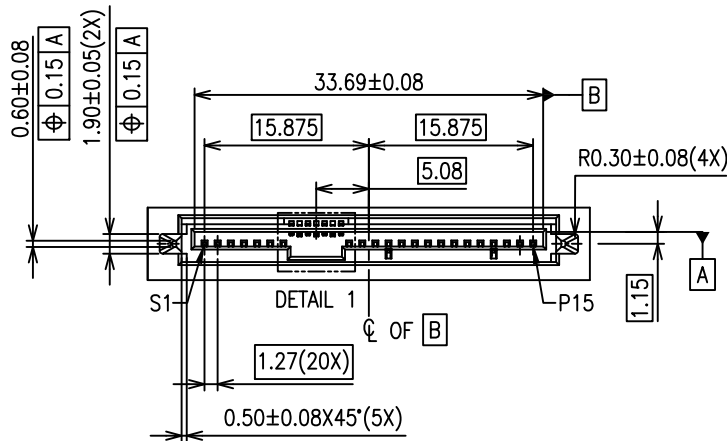
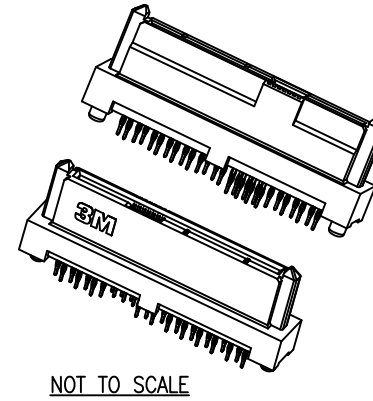
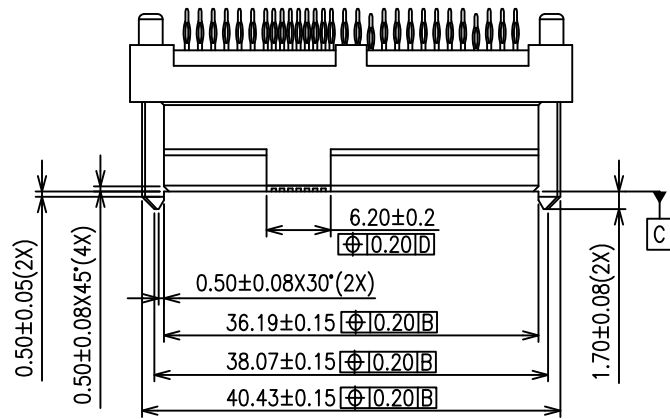


3M™ Serial Attached SCSI (SAS) Connector  
Boardmount Compliant Pin, Vertical Elevated Receptacle, SBR Series

REVISION RECORD		
REV.	ECR/ECN/ECO NUMBER	DATE
A	ECR/ECO-0045644	02/01/13

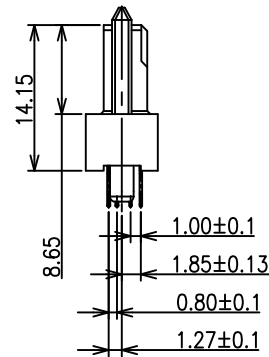
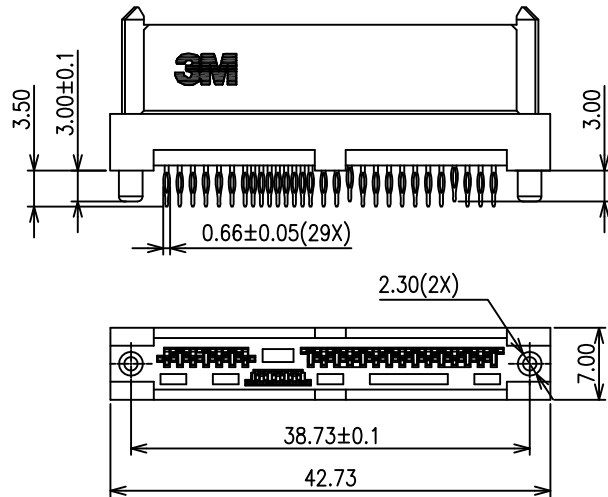


Visit <http://www.3Mconnectors.com>

UNIT: MM	DFTG OH KIM CHYE	DATE 02/01/13		DIVISION ESD	STATUS RELEASED	
GEN. TOLERANCES	CHKD QIAO YUN LONG	DATE 02/01/13		MODEL		
LINEAR .0 =±0.25 .00 =±0.15 ±0.25 .000=±0.05	APPVL ALAN ANG	DATE 02/01/13	TITLE Serial Attached SCSI (SAS) Connector Boardmount Compliant Pin, Vertical Elevated Receptacle	SCALE 1 of 2		
ANGLE=±3°	THIS DOCUMENT CONTAINS INFORMATION WHICH IS PROPRIETARY TO 3M COMPANY. NO REPRODUCTION OR PUBLICATION OF THIS DOCUMENT, IN WHOLE OR IN PART, SHALL BE MADE WITHOUT AUTHORIZATION FROM 3M. ©3M 2013. ALL RIGHTS RESERVED.			SIZE A3	DRAWING NO. 78-5100-2177-3	REV D
PROJECTION	INTERPRET PER ASME Y14.5M-1994			SCALE : 2:1	DET LIST <input type="checkbox"/> YES <input type="checkbox"/> NO	SHT 1 of 2
CRITICAL DIMENSION: ▲						

3M™ Serial Attached SCSI (SAS) Connector  
Boardmount Compliant Pin, Vertical Elevated Receptacle, SBR Series

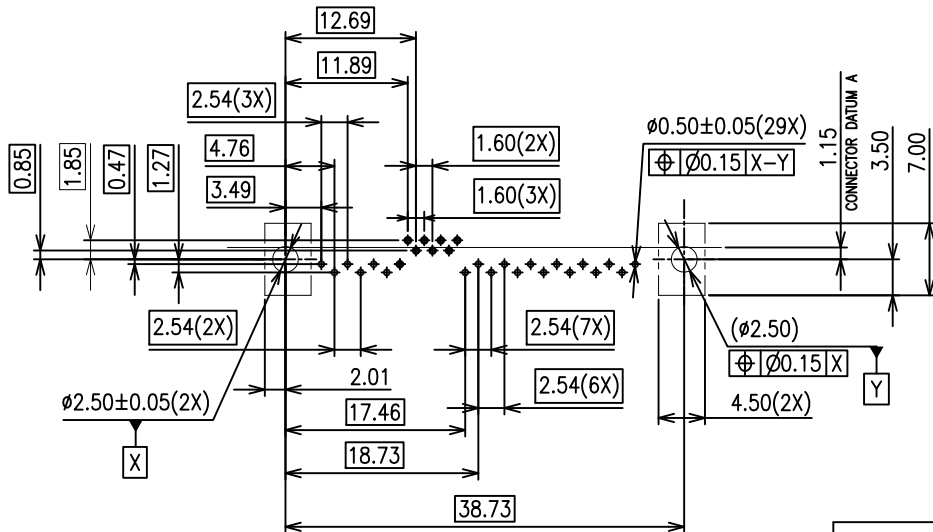
REVISION RECORD		
REV.	ECR/ECN/ECO NUMBER	DATE
REFER TO SHT 1 of 2		



NOTES:

- RoHS COMPLIANT. SEE REGULATORY INFORMATION APPENDIX IN "RoHS COMPLIANCE" SECTION AT [WWW.3M.COM/INTERCONNECT](http://WWW.3M.COM/INTERCONNECT) (E1 & C1 APPLY)
- MEETS SPECIFICATION SAS 2.1  
COMPLIANT TO SFF-8223, SFF-8323, SFF-8523
- PHYSICAL:  
HOUSING: HIGH TEMPERATURE THERMOPLASTIC, BLACK, UL94V-0  
CONTACT: COPPER ALLOY
- ELECTRICAL:  
CURRENT RATING: POWER PIN: 1.5A  
                          SIGNAL PIN: 500mA  
INSULATION RESISTANCE:  $10^3$  MΩ min.  
WITHSTANDING VOLTAGE: 500V<sub>ac</sub> AT SEA LEVEL
- ENVIRONMENTAL:  
OPERATING TEMPERATURE: 0°C TO +55°C  
NON-OPERATING TEMPERATURE: -40°C TO +85°C
- UL FILE NO. E68080
- ORDERING INFORMATION:  
SBR-EV-29-P-ML

PLATING OPTION:  
ML: 30u" MIN. Au AT MATING AREA  
      : 50u" MIN. Ni UNDERPLATE  
      : 100u" MIN. Sn AT TERMINATION AREA



RECOMMENDED PCB LAYOUT  
PCB THICKNESS 1.60 TO 3.00  
(ALL TOLERANCES ARE ±0.05)

Visit <http://www.3Mconnectors.com>

UNIT: MM	DFTG OH KIM CHYE	DATE 02/01/13		DIVISION ESD	STATUS RELEASED
GEN. TOLERANCES	CHKD QIAO YUN LONG	DATE 02/01/13		MODEL	
LINEAR .0 = ±0.25 .00 = ±0.15 ±0.25 .000 = ±0.05	APPVL ALAN ANG	DATE 02/01/13	TITLE Serial Attached SCSI (SAS) Connector Boardmount Compliant Pin, Vertical Elevated Receptacle		
ANGLE = ±1° ±3'	THIS DOCUMENT CONTAINS INFORMATION WHICH IS PROPRIETARY TO 3M COMPANY. NO REPRODUCTION OR PUBLICATION OF THIS DOCUMENT, IN WHOLE OR IN PART, SHALL BE MADE WITHOUT AUTHORIZATION FROM 3M. ©3M 2013. ALL RIGHTS RESERVED.		SIZE A3	DRAWING NO. 78-5100-2177-3	REV D
PROJECTION	INTERPRET PER ASME Y14.5M-1994	CRITICAL DIMENSION: ▲	SCALE: 2:1	DET LIST <input type="checkbox"/> YES <input type="checkbox"/> NO	SHT 2 of 2