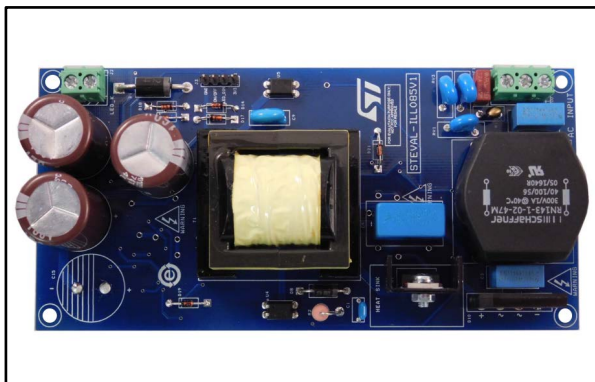


Wide input and wide output voltage LED driver with high power factor and low THD based on HVLED001A

Data brief



Features

- AC input voltage range: 90 V to 300 V
- LED voltage / current: 60 V-105 V / 700 mA
- Constant LED current: 700 mA \pm 2%
- Power factor: > 0.95
- Input current THD: < 10%
- Standby consumption: < 0.5 W
- Open-circuit and short-circuit protection
- Provision for smart features: ON / OFF / DIMMING
- RoHS compliant

Description

The STEVAL-ILL085V1 board is a constant current LED driver with high power factor and low input current THD for wide range input voltage. It uses the HVLED001A power management IC for power quality improvement.

This board includes other discrete power devices produced by STMicroelectronics, including MOSFETs (STP21N90K5), diodes (STTH3L06 and STTH1L06), transil (P6KE400), CV / CC controller (TSM101) and LDO (LM2931AD33R). The board works on 60 V to 105 V LED voltage and 700 mA constant current with \pm 2% current regulation. The standby consumption is below 0.5 W.

Short-circuit and open circuit LED protection is included, and board efficiency is above 90%.

Smart pins are included for LED streetlight ON/OFF switching and remote dimming.

The design is unique in terms of form factor and proven high thermally stability.

In terms of power quality, the power factor is above 0.95 and the THD is less than 10%. It is well within the harmonic limits set by IEC61000-3-2 Class C for lighting.

Schematic diagrams

Figure 1: Primary side power conversion

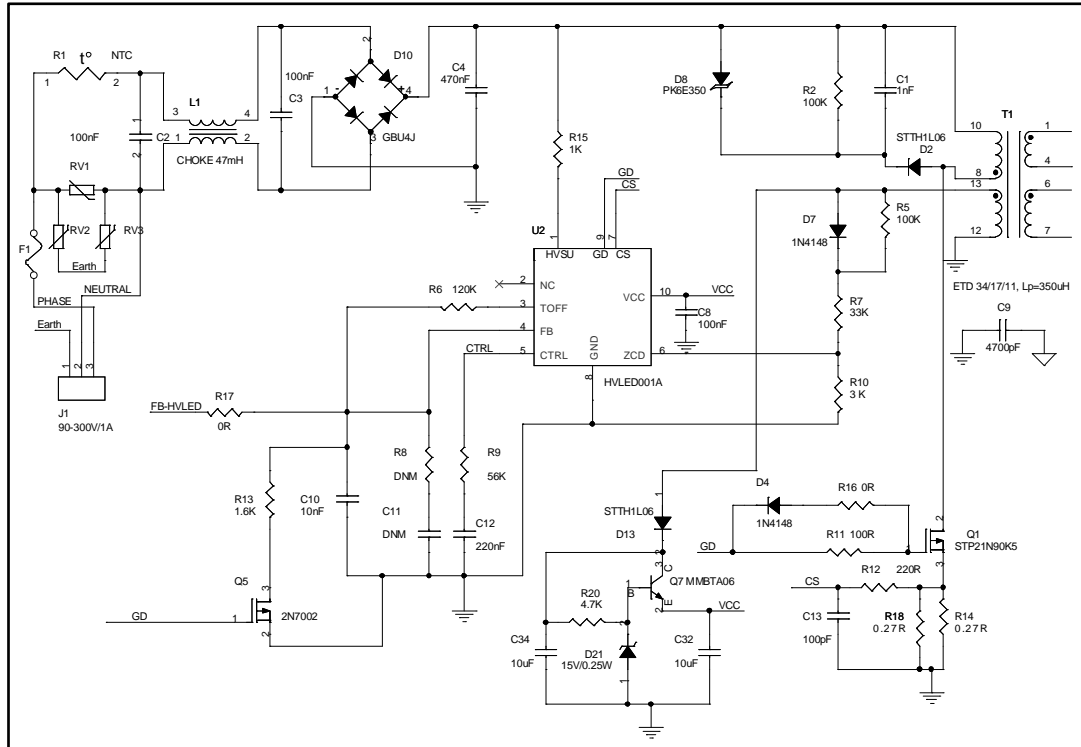


Figure 2: MCU power supply and LED ON/OFF

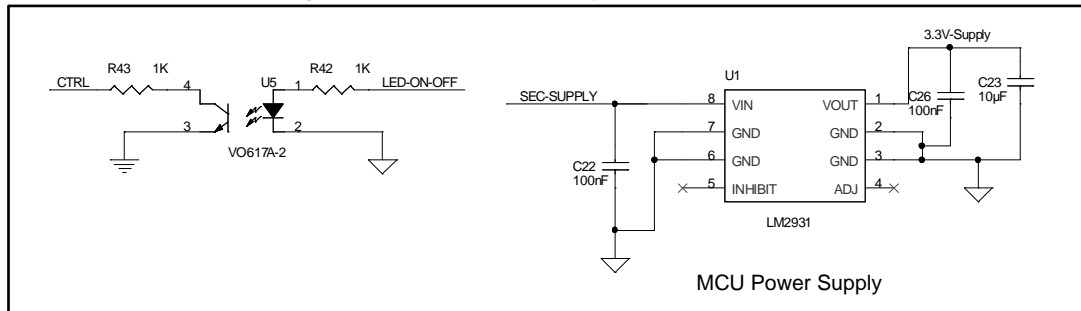
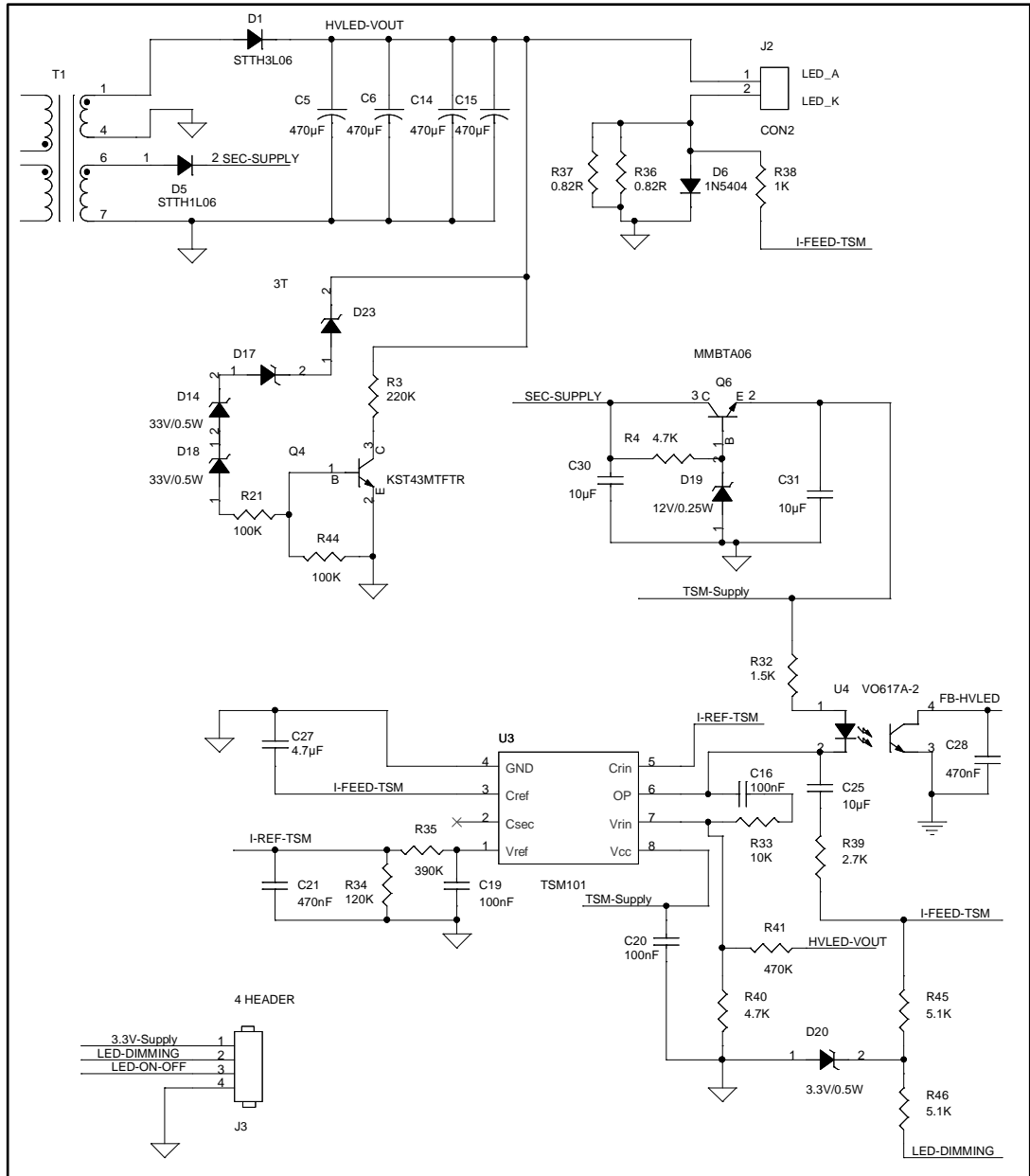


Figure 3: Secondary side power supply (LED driver) and smart pin



1 Revision history

Table 1: Document revision history

Date	Version	Changes
27-Sep-2017	1	Initial release.
16-Nov-2017	2	Updated <i>Figure 3: "Secondary side power supply (LED driver) and smart pin"</i>

IMPORTANT NOTICE – PLEASE READ CAREFULLY

STMicroelectronics NV and its subsidiaries ("ST") reserve the right to make changes, corrections, enhancements, modifications, and improvements to ST products and/or to this document at any time without notice. Purchasers should obtain the latest relevant information on ST products before placing orders. ST products are sold pursuant to ST's terms and conditions of sale in place at the time of order acknowledgement.

Purchasers are solely responsible for the choice, selection, and use of ST products and ST assumes no liability for application assistance or the design of Purchasers' products.

No license, express or implied, to any intellectual property right is granted by ST herein.

Resale of ST products with provisions different from the information set forth herein shall void any warranty granted by ST for such product.

ST and the ST logo are trademarks of ST. All other product or service names are the property of their respective owners.

Information in this document supersedes and replaces information previously supplied in any prior versions of this document.

© 2017 STMicroelectronics – All rights reserved