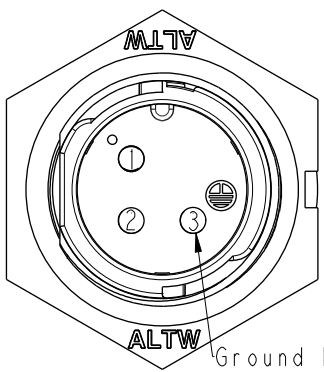
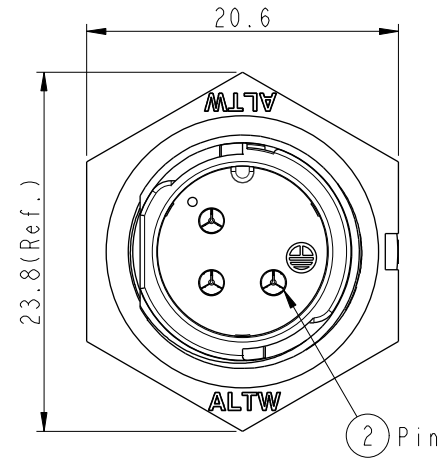
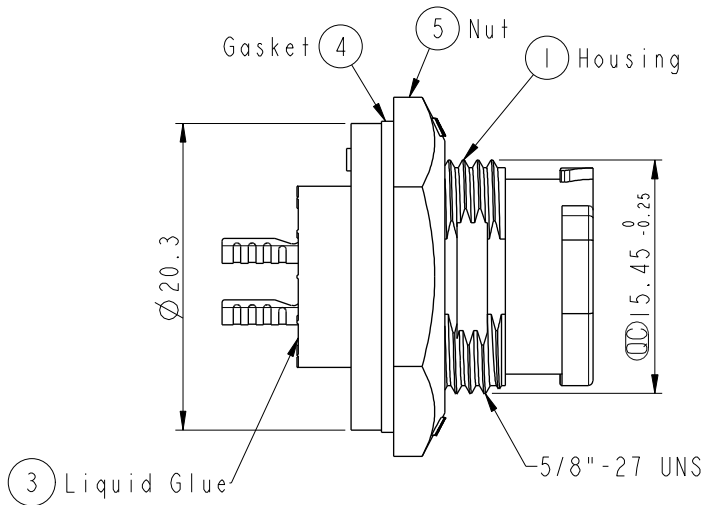
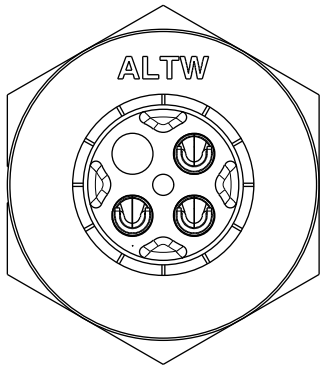
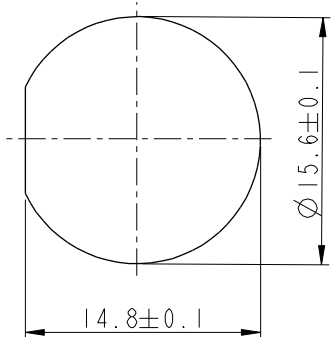


REV.	ECN NO.	DATE	SIGN	DESCRIPTION
B	C190411	2019/03/14	Vicky	Change Note

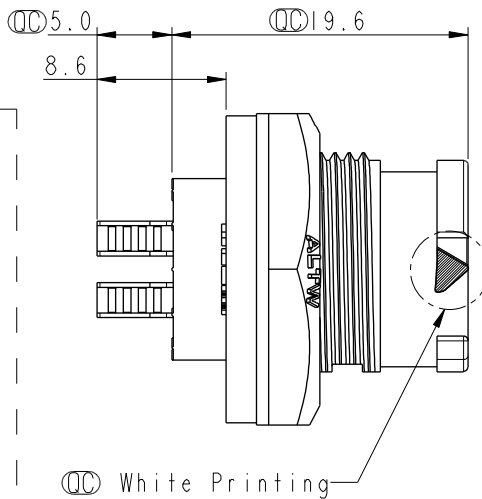
ALTW
CONFIDENTIAL
2019-03-14
R&D DEPT.



Pin Assignments
Front View

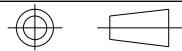


Recommended Panel Cut-out



- Note:
- * ϕ Important Dimension To Check.
 - * Waterproof Rate: IP68, Unmated.
In 1 meter water within 24 hours
 - * Housing: Thermoplastic, Black.
 - * Pin: Copper Alloy, Gold Plated.
 - * Nut: Thermoplastic, Black.
 - * Gasket: Rubber, Gary.
 - * Use Without Waterproof Cap
Panel Thickness Max: 4.0mm
 - * Use With Waterproof Cap
Panel Thickness Max: 3.0mm
 - * Gasket and Nut are packed separately
in PE bags.

UNIT:mm



TITLE
X Lok B-Size Receptacle
Front Fastened M Conn M 3 Pin

Amphenol LTW
安費諾亮泰企業股份有限公司

ITEM NO
BB-03PMMS-QC800P

DRAWN BY
Vicky

DATE
2019-03-14

TOLERANCE
.X ±0.25

SCALE
2:1

SIZE
A4

SHEET
1 OF 1

DWG NO
BB-03PMMS-QC800P

CHECKED BY
Rita

DATE
2019-03-14

REV.
B

WC-REV.
A.1

ϕ Inspection item

CUSTOMER
ALTW

APPROVED BY
Max

DATE
2019-03-14

THIS DOCUMENT IS SUBJECT TO CHANGE WITHOUT NOTICE. IT IS CONFIDENTIAL AND A PROPERTY OF Amphenol LTW. DISCLOSURE TO THIRD PARTY HAS TO BE AUTHORIZED BY Amphenol LTW.