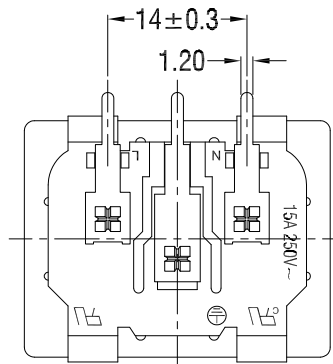
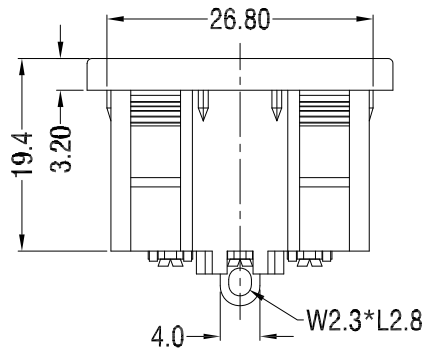


SECTION: A-A



NOTES:

MATERIAL

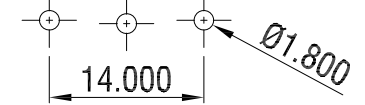
1. Insulator Material: PA66, (UL94V-0), Black
Copper Alloy, Tin plated

ELECTRICAL

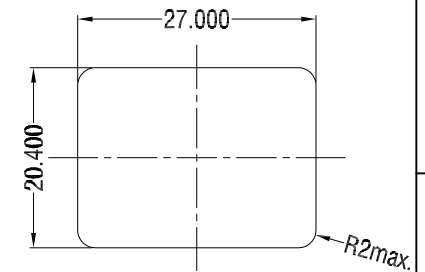
1. Current Rating: 15A 250V~(UL, CUL)
10A 250V~(VDE, SEMKO, CCC, KC)
2. Electric Strength: 2000V AC/minute
3. Insulation Resistance: 100MΩ min at 500V DC

APPROVAL:

UL, CUL, VDE, SEMKO, CCC, KC



PCB LAYOUT



PANLE CUT-OUT

RoHS compliant

Unit:mm

Scale	Free
TOLERANCE	
.X	±0.30
.XX	±0.20
.XXX	±0.10
DIM	TOL
X.°	±5°
Angle	TOL

④	Add the page2~page5	02.03.2021	Winnie	Approved	02.03.2021	Winnie
③	Change of plant	18.12.2012	Winnie			
②	Update	08.07.2009	Dean			
①	Drawn	14.12.2007	N.Schulz			
Id.	Modification	Date	Name			

Drawn	Date	Name
14.12.2007	N.Schulz	
Approved	Date	Name
02.03.2021	Winnie	

Description: Power supply with snap-in	
ASSMANN WSW-No. A-KGS-S/A	
Drawing-No. ASS 0889B CO	rev04
Customer-No.	SHEET 1 / 5

1

2

3

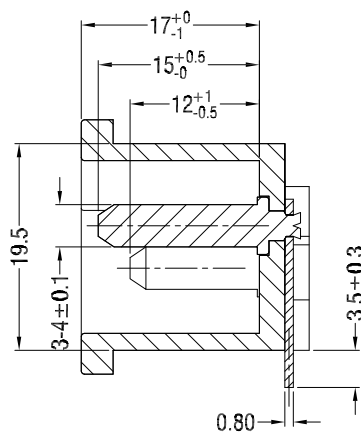
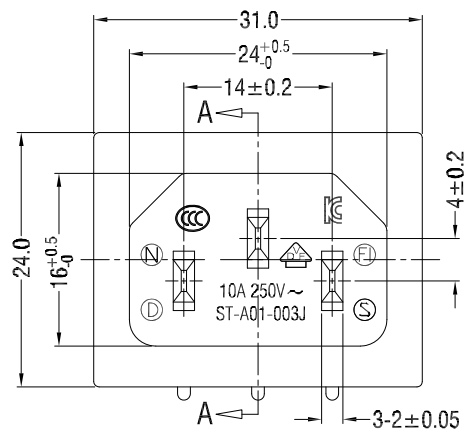
4

5

6

7

A



SECTION: A-A

NOTES:

MATERIAL

1. Insulator Material: PBT, (UL94V-0), Black
2. Terminal: Copper Alloy, Tin plated

ELECTRICAL

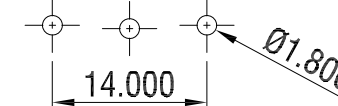
1. Current Rating: 15A 250V~(UL,CUL)
10A 250V~(VDE, SEMKO, CCC, KC)

2. Electric Strength: 2000V AC/minute

3. Insulation Resistance: 100MΩ min at 500V DC

APPROVAL:

UL, CUL, VDE, SEMKO, DEMKO, FIMKO, KC



PCB LAYOUT

B

C

D

E

F

A

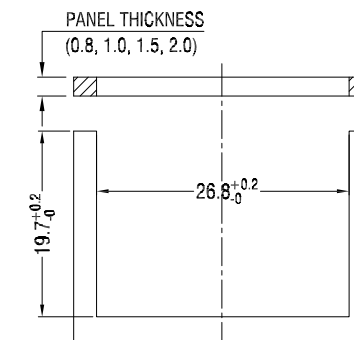
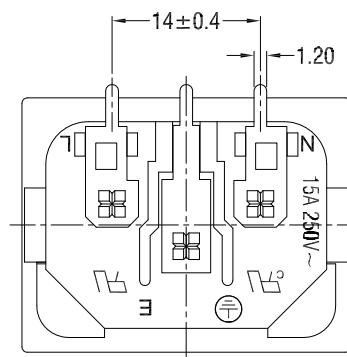
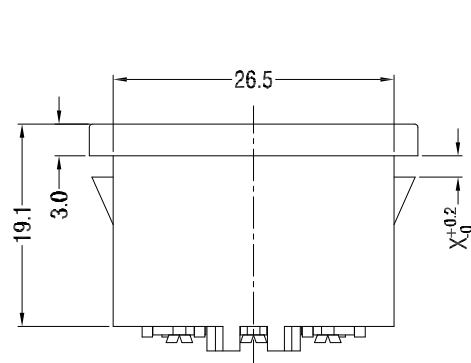
B

C

D

E

F



PANEL CUT-OUT

G

H

RoHS compliant

Unit:mm

Scale Free

TOLERANCE

.X ±0.30

.XX ±0.20

.XXX ±0.10

DIM TOL

X.° ±5°

Angle TOL

④

③

②

①

Id.

Add the page2~page5

Change of plant

Update

Drawn

Modification

02.03.2021

18.12.2012

08.07.2009

14.12.2007

Date

Date

Date

Date

Winnie

Winnie

Dean

N.Schulz

Name

Name

Name

Name

Drawn

Approved

Approved

Approved

Approved

Approved

Approved

Approved

Date

Date

Date

Date

Date

Date

Date

Date

Name

Name

Name

Name

Name

Name

Name

Name

Description: Power supply

with snap-in

ASSMANN WSW-No.

A-KGS-S/A-1

Drawing-No.

ASS 0889B CO

Customer-No.

Customer-No.

Description: Power supply

with snap-in

ASSMANN WSW-No.

A-KGS-S/A-1

Drawing-No.

ASS 0889B CO

Customer-No.

Customer-No.

rev04

SHEET

2 / 5

G

H

1

2

3

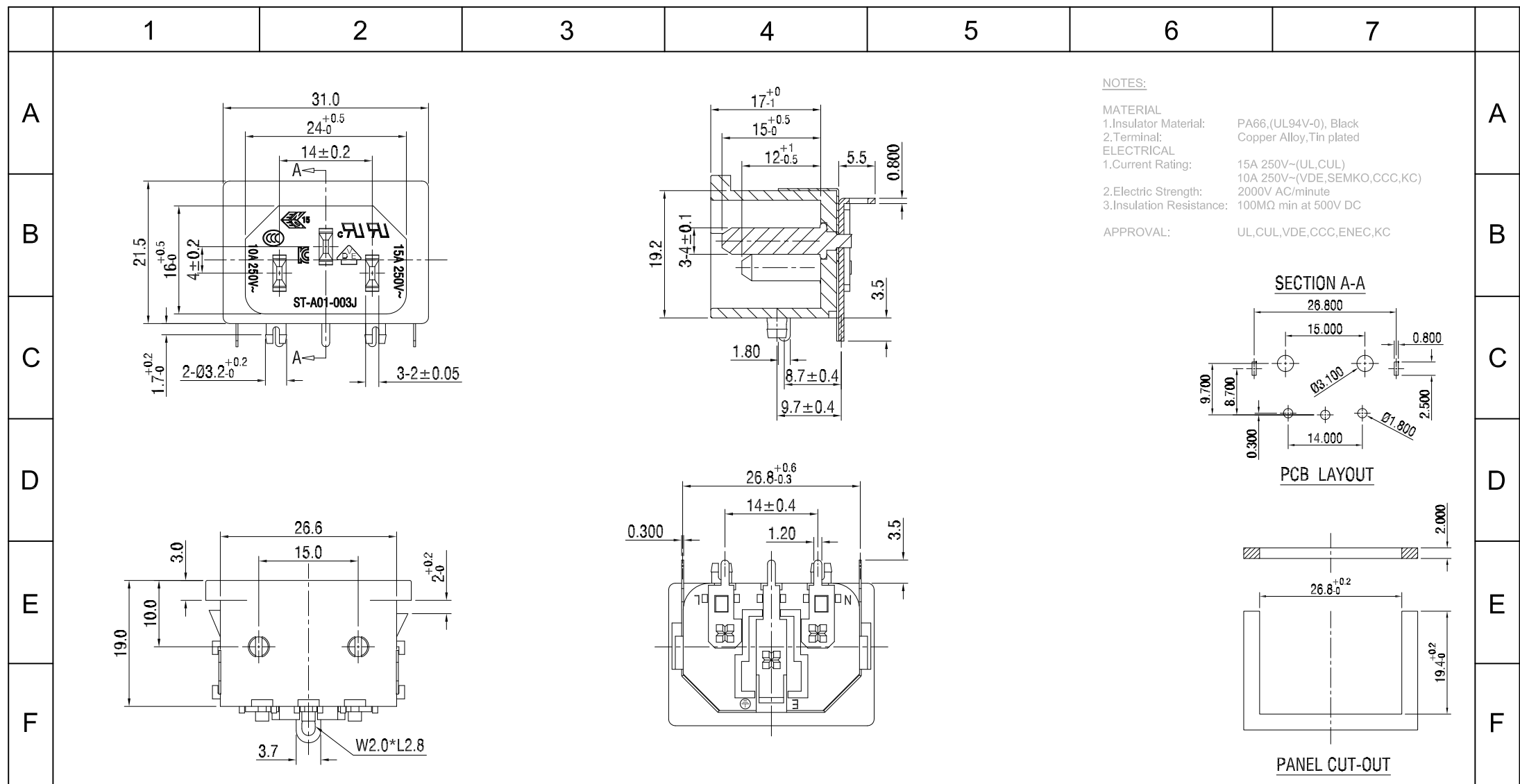
4

5

6

7

SV5028



NOTES:

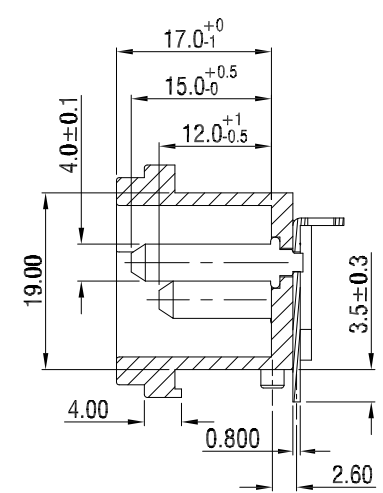
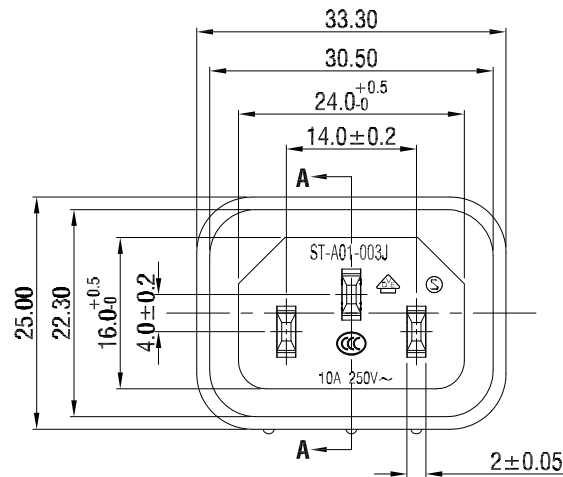
MATERIAL
 1. Insulator Material: PA66, (UL94V-0), Black
 2. Terminal: Copper Alloy, Tin plated

ELECTRICAL
 1. Current Rating: 15A 250V~(UL, CUL)
 10A 250V~(VDE, SEMKO, CCC, KC)
 2. Electric Strength: 2000V AC/minute
 3. Insulation Resistance: 100MΩ min at 500V DC

APPROVAL: UL, CUL, VDE, CCC, ENEC, KC

RoHS compliant
 Unit:mm

G	Scale	Free					Date	Name	Description: Power supply with snap-in	
	TOLERANCE					Drawn	14.12.2007	N.Schulz		
H	.X	±0.30	④	Add the page2~page5	02.03.2021	Winnie	Approved	02.03.2021	Winnie	ASSMANN WSW-No.
	.XX	±0.20	③	Change of plant	18.12.2012	Winnie				A-KGS-S/A-2
	.XXX	±0.10	②	Update	08.07.2009	Dean			Drawing-No. ASS 0889B CO rev04	
	DIM	TOL	①	Drawn	14.12.2007	N.Schulz			Customer-No.	
	Angle	TOL	Id.	Modification	Date	Name				

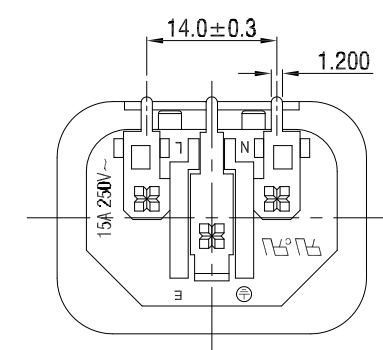
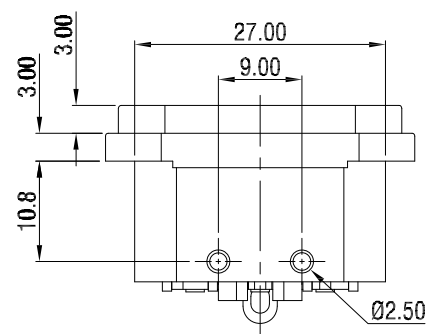
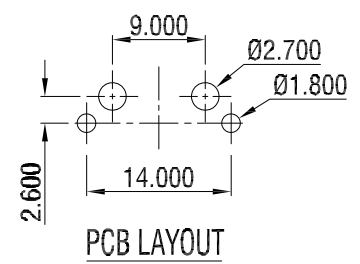


NOTES:

MATERIAL
 1. Insulator Material: PBT,(UL94V-0), Black
 2. Terminal: Copper Alloy, Tin plated

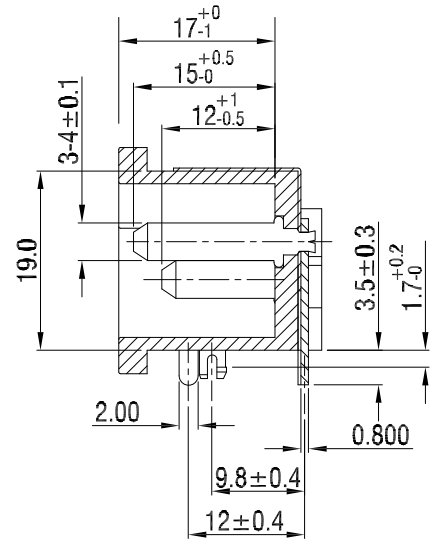
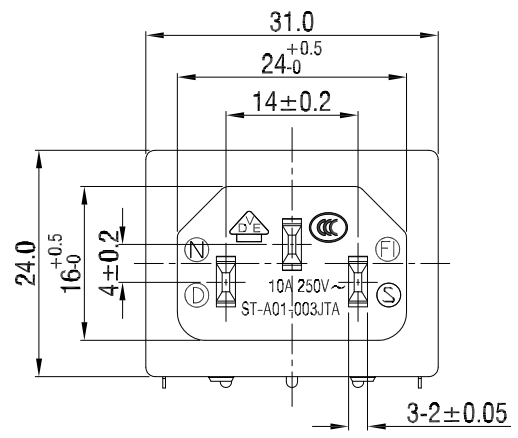
ELECTRICAL
 1. Current Rating: 15A 250V~(UL,CUL)
 10A 250V~(VDE,SEMKO,CCC,KC)
 2. Electric Strength: 2000V AC/minute
 3. Insulation Resistance: 100MΩ min at 500V DC

APPROVAL: UL,CUL,VDE,SEMKO



RoHS compliant
 Unit:mm

Scale	Free			Date	Name	Description: Power supply without snap-in	
TOLERANCE				Drawn	14.12.2007	N.Schulz	
.X	±0.30	④	Add the page2~page5	02.03.2021	Winnie	Approved	02.03.2021 Winnie
.XX	±0.20	③	Change of plant	18.12.2012	Winnie		
.XXX	±0.10	②	Update	08.07.2009	Dean	ASSMANN WVSW components	
DIM	TOL	①	Drawn	14.12.2007	N.Schulz		
X.°	±5°	①	Drawn	14.12.2007	N.Schulz	Customer-No.	SHEET 4 / 5
Angle	TOL	Id.	Modification	Date	Name		

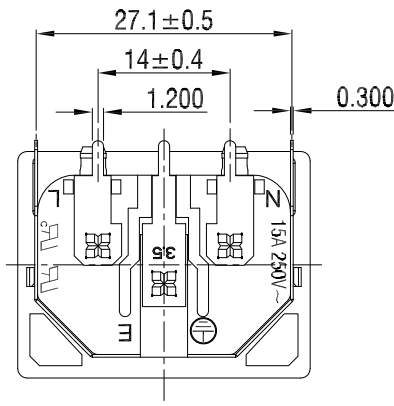
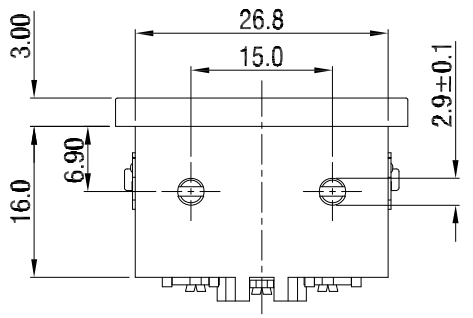
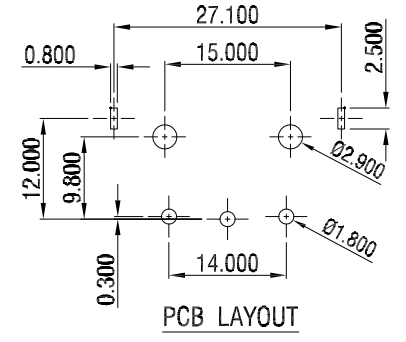


NOTES:

MATERIAL
 1. Insulator Material: PA66, (UL94V-0), Black
 2. Terminal : Copper Alloy, Tin plated

ELECTRICAL
 1. Current Rating: 15A 250V~(UL,CUL)
 10A 250V~(VDE,SEMKO,CCC,KC)
 2. Electric Strength: 2000V AC/minute
 3. Insulation Resistance: 100MΩ min at 500V DC

APPROVAL: UL,CUL,VDE,SEMKO,DEMKO,FIMKO,CCC



RoHS compliant
 Unit:mm

Scale	Free			Date	Name	Description: Power supply without snap-in	
TOLERANCE				Drawn	14.12.2007	N.Schulz	
.X	±0.30	④	Add the page2~page5	02.03.2021	Winnie	Approved	02.03.2021
.XX	±0.20	③	Change of plant	18.12.2012	Winnie		
.XXX	±0.10	②	Update	08.07.2009	Dean	ASSMANN WSW components	
DIM	TOL	①	Drawn	14.12.2007	N.Schulz		
X.°	±5°	Id.	Modification	Date	Name	Drawing-No. ASS 0889B CO	rev04
Angle	TOL					Customer-No.	SHEET 5 / 5

