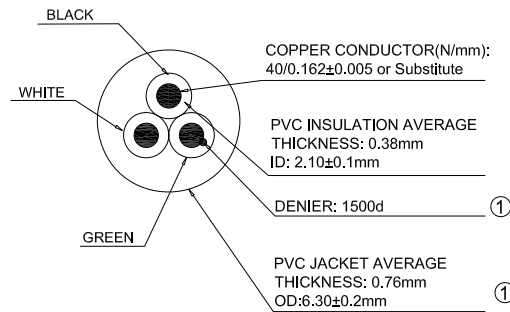


Hank Dimension



Wire cross section

① NOTES:

Material:

- 1.SVT 3x18AWG(0.824MM²) VW-1, 60°C 300V.
- 2.Jacket Color: Black.
- 3.E-Green, L-Black, N-White.

Electrical Test:

- 1.100% Open & Short Testing.
- 2.Insulation Resistance: 100MΩ(Min).
- 3.Voltage: 500V DC/1Min.

RoHS compliant

Unit: mm

Scale	Free					Date	Name	Customer-No.	
TOLERANCE					Drawn	19.05.2017	Amy		
					Approved	18.02.2019	Amy	ASSMANN WSW-No. A-PC1504-030021-1	
DIM	TOL	①	Update the appearance, tolerance and notes	18.02.2019	Segal			Drawing-No. ASS 7996 CA rev01	
		②	Drawn	19.05.2017	Amy			Replace	Sheet
Angle	TOL	Id.	Modification	Date	Name				